

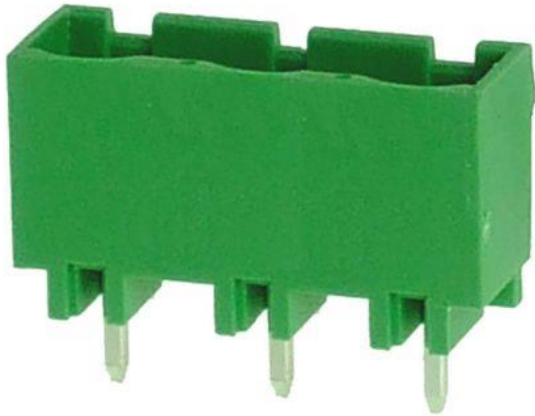


ENGLISH

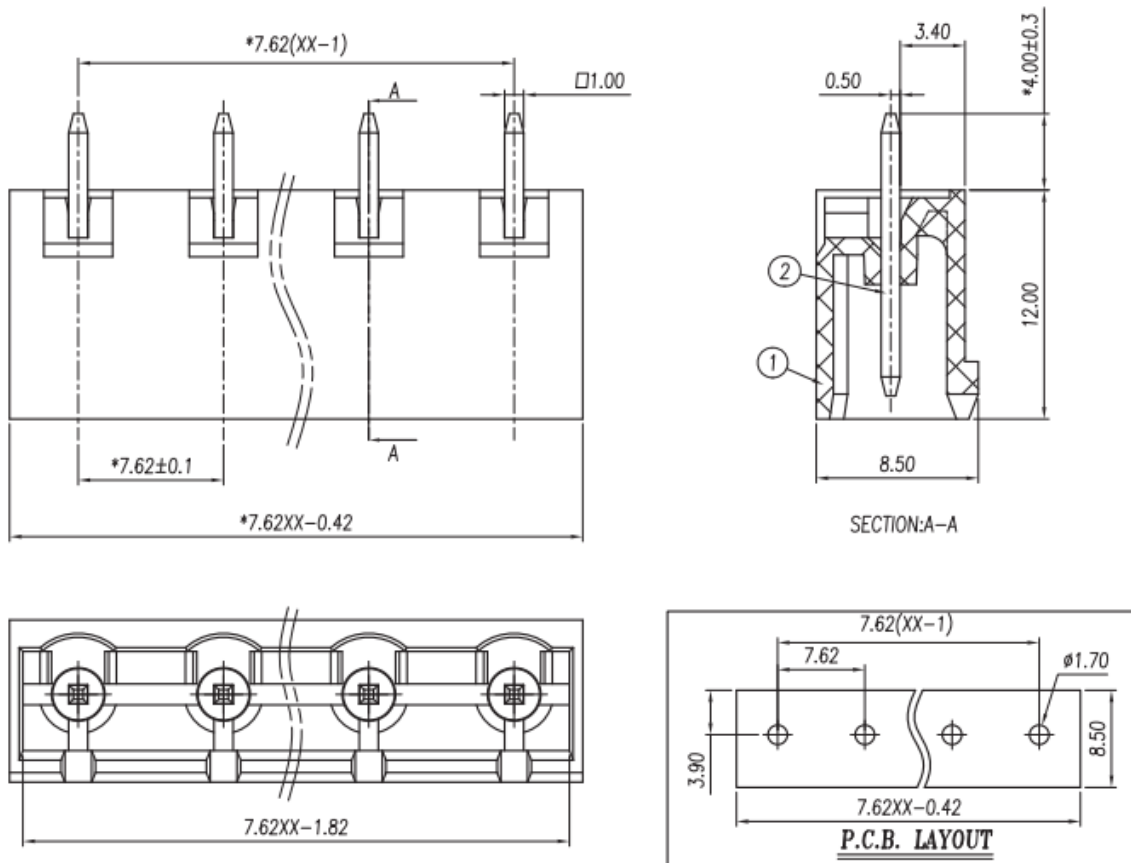
Datasheet

New 7.62mm Header Vertical 15A 3 Way

RS Stock 874-5394



Dimensions: (mm)





Specifications

- Rated Voltage: 300V 8A
- Rated Current: 15A
- Pitch: 7.62mm
- Poles: 2p-24p
- Contact Resistance: 20mΩ
- Insulation Resistance: 500ΩM or more at DC500V
- Withstanding Voltage: AC 2000V/1 min
- Temperature Range: -40°C ~ +105°C
- RoHS Compliance

Materials

- Housing: PA66 / UL94V-0
- Pin Header: Brass / Tin Plated

Tolerances

| | linear dimension | | | | | fillet | chamfer | | ∠ short angle sid | | | ≡ | — | □ | // | ⊥ | |
|----------------|------------------|-------|--------|--------|------|--------|---------|------|-------------------|-------|--------|-----|------|-------|--------|------|------|
| | to | over | over | over | over | | to | over | to | over | over | | | | | | over |
| variable range | to 6 | to 30 | to 120 | to 480 | to | all | to 6 | to | to 10 | to 50 | to 120 | all | to 5 | to 30 | to 120 | to | |
| tolerance | ±0.1 | ±0.2 | ±0.3 | ±0.5 | ±0.9 | ±0.2 | ±0.5 | ±1 | 1° | 30' | 20' | 10' | 0.5 | 0.025 | 0.06 | 0.12 | 0.4 |