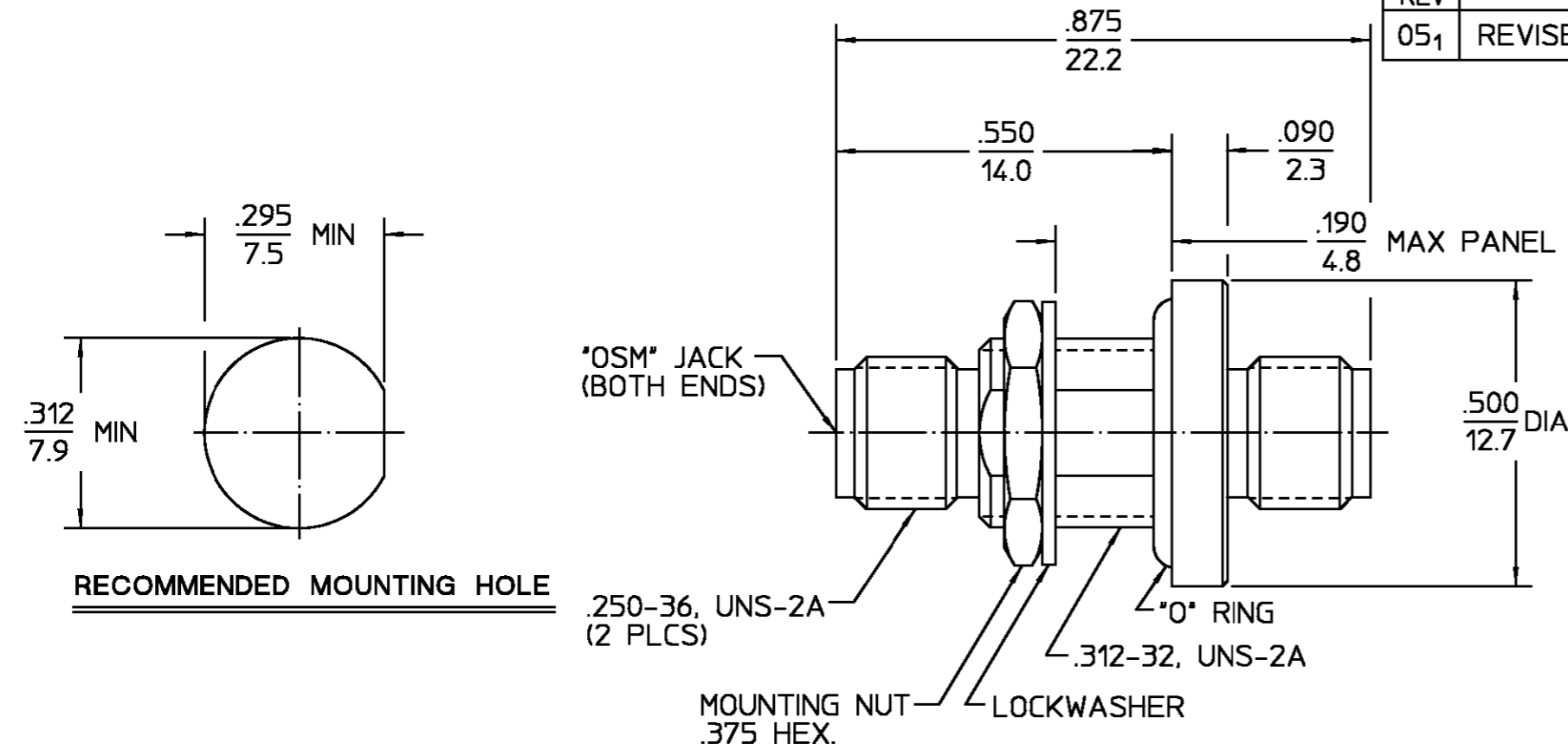


REVISIONS			
REV	DESCRIPTION	DATE	APPROVED
05 ₁	REVISED	4/18/96	<i>[Signature]</i>



.XXX = in
XX.X = mm

ELECTRICAL	MECHANICAL	ENVIRONMENTAL	HOUSING	DIELECTRIC	CENTER CONTACT	COMPONENT	MATERIAL	FINISH
Nominal Impedance (Ohms) <u>50</u>	Interface Dimensions MIL-STD-348, Fig. 310.2	Temperature Rating <u>-65°C To 165°C</u>	STAINLESS STEEL PER ASTM-A484 AND ASTM-A582, TYPE 303	TFE FLUOROCARBON PER ASTM-D-1457	BERYLLIUM COPPER PER ASTM-B-196 OR ASTM-B-197 ALLOY C17300, CONDITION H	UNLESS OTHERWISE SPECIFIED DIMENSIONS ARE IN INCHES TOLERANCE ON	AMP Incorporated 140 Fourth Avenue Waltham, MA 02451-7599	PASSIVATE PER QQ-P-35
Frequency Range (GHz) <u>DC to 12.4</u>	Recommended Mating Torque <u>N/A</u>	Vibration MIL-STD-202, Method 204, Condition D				FRAC. DEC. ANGLES		N/A
Volt Rating (VRMS MAX) @ Sea Level <u>335</u>	Mating Characteristics: Insertion (MAX Lbs) <u>3.0</u>	Shock MIL-STD-202, Method 213, Condition I				± 1/64 ±.005 ± °		GOLD PLATE PER MIL-G-45204
VSWR <u>1.10 + .015f(GHz)</u>	Withdrawal (MIN Oz) <u>1.0</u>	Thermal Shock MIL-STD-202, Method 107, Condition C						
Insertion Loss (dB MAX) <u>.15 √f @ 6GHz</u>	Force to Engage and Disengage (In/Lbs MAX) <u>2.0</u>	Moisture Resistance MIL-STD-202, Method 106, Except Vibration						
RF Leakage (dB MIN) <u>[-60-f(GHz)]</u>	Center Contact Captivation: Axial (Lbs) <u>6.0</u>	Shall Be Omitted 200 Megaohms MIN						
Corona, 70,000 Ft (VRMS MIN) <u>250</u>	Radial (In/Oz) <u>N/A</u>	Corrosion - MIL-STD-202, Method 101, Condition B, 5% salt spray						
Dielectric Withstanding Voltage (VRMS MIN) @ Sea Level <u>1000</u>	Cable Retention: Axial Force (Lbs) <u>N/A</u>							
Contact Resistance (Milliohms MAX): Center Contact <u>8.0</u>	Torque (In/Oz) <u>N/A</u>							
Outer Contact <u>4.0</u>	Weight (Grams) <u>TBD</u>							
Cable to Housing <u>N/A</u>								
RF High Potential @ Sea Level (VRMS MIN @ 5 MHz) <u>670</u>								
I.R.(Megohms MIN) <u>5,000</u>								
			USE ASS'Y PROCEDURE	TITLE "OSM" FEEDTHRU BULKHEAD JACK TO JACK ADAPTER M55339/28-30001		NO. AP. <u>N/A</u>		
				SIZE <u>B</u>	CODE IDENT NO. <u>26805</u>	<u>2084-8001-92</u>		REV <u>05₁</u>
				SCALE <u>4:1</u>			SHEET 1 OF 1	