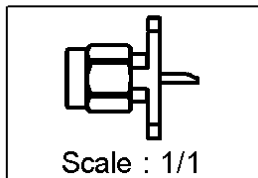
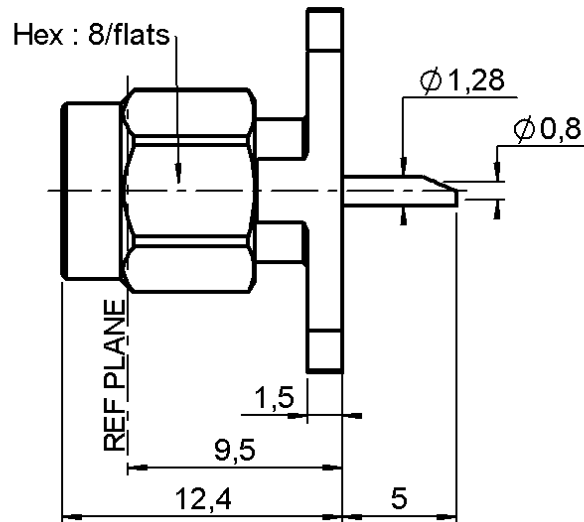
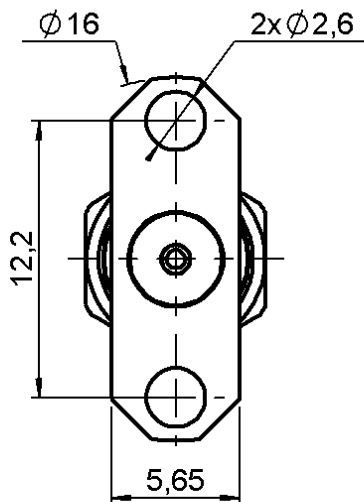


2 HOLES FLANGE PLUG RECEPTACLE.

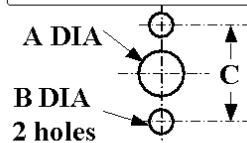
R125.483.000

WITH SOLDER POT CONTACT

Series : SMA

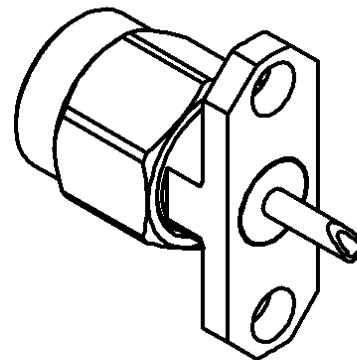


PANEL CUT OUT



	mm	
	Maxi	mini
A	4.2	4.1
B	2.65	2.6
C	12.25	12.15

All dimensions are in mm.



COMPONENTS

MATERIALS

PLATING

BODY
CENTRE CONTACT
OUTER CONTACT
INSULATOR
GASKET
OTHERS PARTS
 -
 -

STAINLESS STEEL
BRASS
 -
PTFE
SILICONE RUBBER
STAINLESS STEEL
 -
 -

GOLD 0.5 OVER NICKEL 2 µm
GOLD 1.3 OVER NICKEL 2 µm
 - µm
GOLD 0.5 OVER NICKEL 2 µm
 -
 -



Edition : 9840 S

Design changes may be in order to improve the product.

2 HOLES FLANGE PLUG RECEPTACLE.

R125.483.000

WITH SOLDER POT CONTACT

Series : SMA

ELECTRICAL CHARACTERISTICS

Impedance		50 Ω
Frequency		0-18 GHz
VSWR	1.04* +	0.004 x F(GHz) Maxi
Insertion loss	0.05*	\sqrt{F} (GHz) dB Maxi
RF leakage	- (100 - F(GHz)) dB mini
Operating temperature		-65/+165 ° C
Voltage rating		500 Veff Maxi
Dielectric withstanding voltage		1000 Veff mini
Insulation resistance		5000 MΩ mini

SPECIFICATION

ENVIRONMENTAL

Hermetic seal	NA	Atm.cm3/s
Leakage – pressurised only	NA	Mpa

OTHERS CHARACTERISTICS

Assembly instruction **NA**

Others :
* Coaxial Transmission Line Only

MECHANICAL CHARACTERISTICS

Centre contact retention		
Axial force – Mating end		27 N mini
Axial force – Opposite end		27 N mini
Torque		2.8 N.cm mini
Recommended torque		
Mating		100 N.cm
Panel nut		NA N.cm
Mating life		500 Cycles mini
Weight		0.000 g

