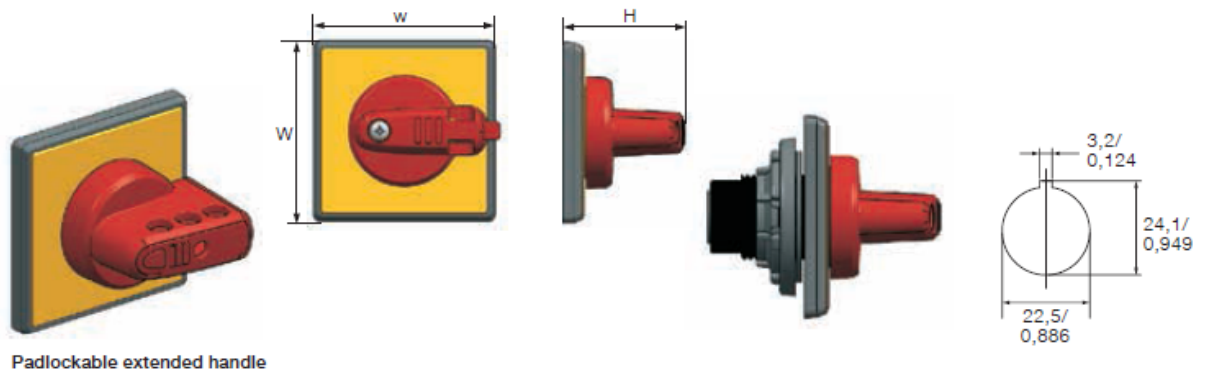


OC25GP2Y

General Information

Extended Product Type:	OC25GP2Y
Product ID:	1SCA126743R1001
EAN:	6417019567198
Catalog Description:	OC25GP2Y Handle
Long Description:	Red padlockable handle with 66x66mm frame for snap-on mounted OC25 switches. Frontplate is excluded. Special engraved frontplates to be ordered as separate items.



Handle type, suitable for OC25	Option**	Protection degree	Size [mm/in]		
			W	H	A
Padlockable extended handle snap-on mounted	P2, B2, D2, C2	IP66	66/2,60	46/1,81	