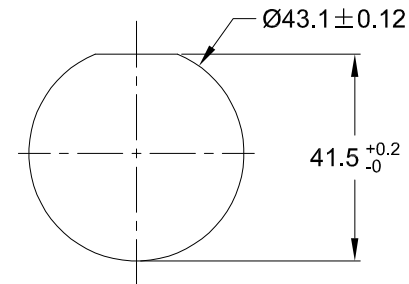
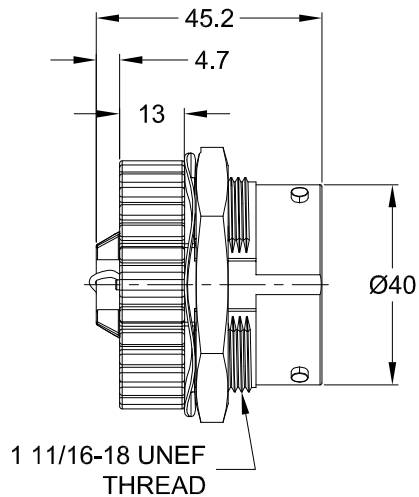
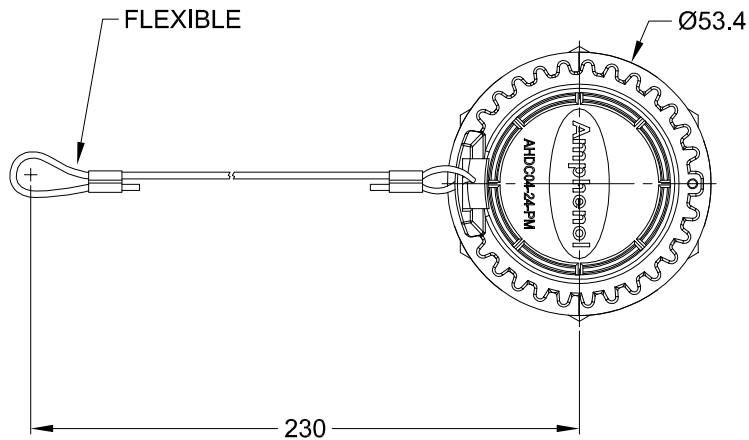


| REVISIONS | | | | | |
|-----------|-----|---------------------|---------|--------|-------|
| REV | ECO | DESCRIPTION | DATE | BY | APPR |
| 01 | | PRELIMINARY DRAWING | 15AUG17 | SULLEN | TOMMY |



RECOMMENDED PANEL MOUNTING HOLE
RECOMMENDED PANEL THICKNESS: 1.6 TO 4.7MM

NOTES: UNLESS OTHERWISE SPECIFIED

- MATERIAL:
SHELL: THERMOPLASTIC
NUT: THERMOPLASTIC
SEAL: SILICONE RUBBER
CORD: NYLON
LOCK WASHER: STEEL
- COLORS: BLACK
- RoHS COMPLIANT
- COMPATIBLE WITH ALL SIZE 24 AHDP SERIES PLUG.
- ALL DIMENSIONS ARE FOR REFERENCE USE ONLY.

| | | | | |
|--|----------------|--|----------|-----------------------|
| AHDC04-24-PMT | | | | |
| PART NUMBER | | DESCRIPTION | | ITEM |
| QUANTITY | MATERIALS LIST | | | |
| UNLESS OTHERWISE SPECIFIED 1) All dimensions are in metric (mm). 2) Tolerances are as follows: 1 PL DEC ±0.30 2 PL DEC ±0.15 3 PL DEC ±0.08 Fractions ±1/64 Angles ±1° 3) Note reference = | | SIGNATURES | | DATE |
| MATERIAL SPECIFICATIONS: | | DRAWN: SULLENZHANG | | 15AUG17 |
| | | CHECKED: ORION LI | | 15AUG17 |
| | | ENGINEER: | | |
| | | APPROVAL: TOMMY XIE | | 15AUG17 |
| PROCESS SPECIFICATIONS: | | CUSTOMER: | | |
| | | THIS DRAWING IS SUPPLIED FOR INFORMATION ONLY. DESIGN FEATURES, SPECIFICATIONS AND PERFORMANCE DATA SHOWN HEREON ARE THE PROPERTY OF THE AMPHENOL CORPORATION. NO RIGHTS OF REPRODUCTION ARE IMPLIED. ALL DIMENSIONS ARE SUBJECT TO NORMAL MANUFACTURING VARIATIONS. | | |
| NEXT ASSY: | | SIZE: A | TYPE: C- | DWG NO: AHDC04-24-PMT |
| | | SCALE: NONE | | REVISION: 01 |
| | | SHEET 1 OF 1 | | |

Amphenol

Sine Systems - www.amphenol-sine.com
44724 Morley Drive
Clinton Township, MI 48036

PROTECTIVE CAP FOR PLUGS,
WITH CORD, AHDP SERIES, SIZE 24