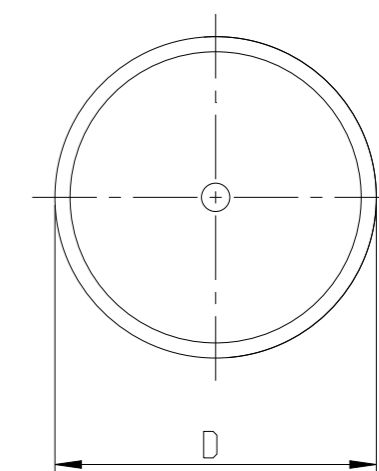
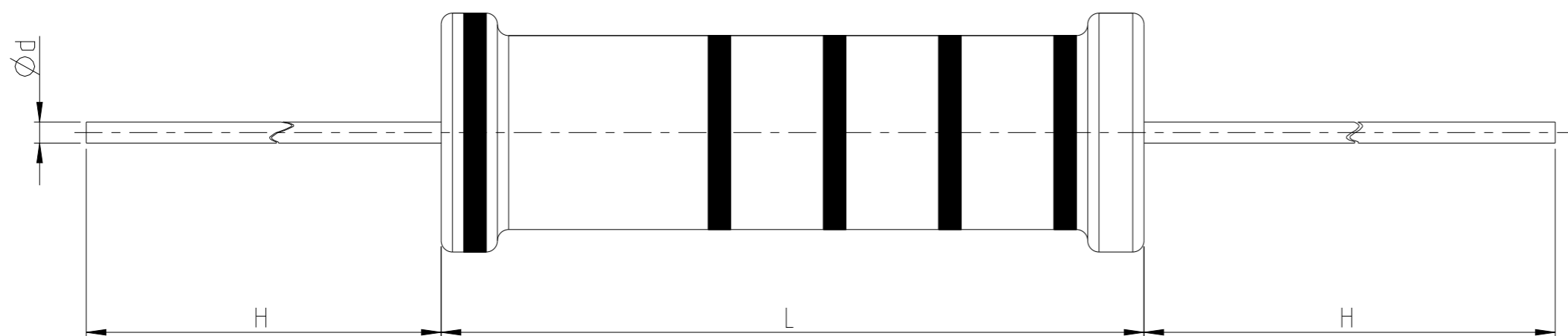
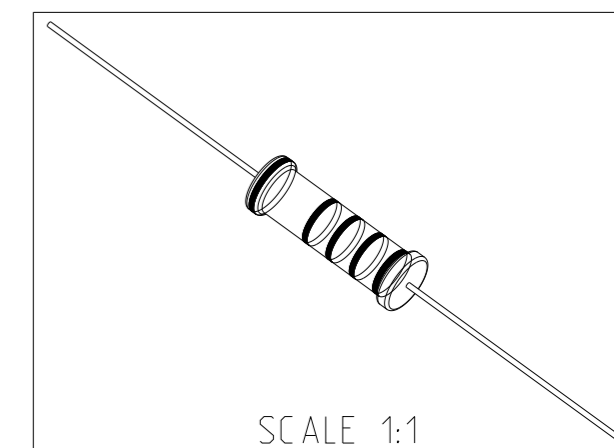


P	LTR	DESCRIPTION	DATE	DWN	APVD
	BA	INITIAL DRAWING RELEASE	24APR2025	RS	GT

FOR FURTHER INFORMATION SEE DATA SHEET FOR FUSIBLE WIREWOUND FIXED RESISTOR - TYPE FWFU SERIES



POWER RATING	D(MAX)	L(MAX)	d±0.05	H±3
FWFU 7W	8.5	25	0.75	38



THIS DRAWING IS A CONTROLLED DOCUMENT.

DIMENSIONS:	TOLERANCES UNLESS OTHERWISE SPECIFIED:
mm	
	0 PLC ±
	1 PLC ±
	2 PLC ±
	3 PLC ±
	4 PLC ±
	ANGLES ±
MATERIAL	FINISH
-	-

DWN	RAMESHA L S	24APR2025
CHK	TRACY G	24APR2025
APVD	TRACY G	24APR2025
PRODUCT SPEC	-	
APPLICATION SPEC	-	
WEIGHT	-	
CUSTOMER DRAWING		



NAME
FUSIBLE WIREWOUND FIXED RESISTOR
TYPE FWFU 7W SERIES

SIZE	CAGE CODE	DRAWING NO	RESTRICTED TO
A3	00779	©=2176795	-
SCALE 5:1		SHEET 1 OF 2	REV BA

REVISIONS

P	LTR	DESCRIPTION	DATE	DWN	APVD
	-	SEE SHEET 1	-	-	-

SCHEDULE

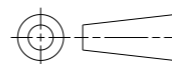
TCPN	CATALOGUE NUMBER	PART DESCRIPTION	PART STATUS
2176795-1	FWFU7WR47J	FWFU 7W R47 5%	PRODUCTION
2176795-2	FWFU7WR51J	FWFU 7W R51 5%	PRODUCTION
2176795-3	FWFU7WR56J	FWFU 7W R56 5%	PRODUCTION
2176795-4	FWFU7WR62J	FWFU 7W R62 5%	PRODUCTION
2176795-5	FWFU7WR68J	FWFU 7W R68 5%	PRODUCTION
2176795-6	FWFU7WR75J	FWFU 7W R75 5%	PRODUCTION
2176795-7	FWFU7WR82J	FWFU 7W R82 5%	PRODUCTION
2176795-8	FWFU7WR91J	FWFU 7W R91 5%	PRODUCTION
2176795-9	FWFU7W1R0J	FWFU 7W 1R0 5%	PRODUCTION
1-2176795-0	FWFU7W1R1J	FWFU 7W 1R1 5%	PRODUCTION
1-2176795-1	FWFU7W1R2J	FWFU 7W 1R2 5%	PRODUCTION
1-2176795-2	FWFU7W1R3J	FWFU 7W 1R3 5%	PRODUCTION
1-2176795-3	FWFU7W1R5J	FWFU 7W 1R5 5%	PRODUCTION
1-2176795-4	FWFU7W1R6J	FWFU 7W 1R6 5%	PRODUCTION
1-2176795-5	FWFU7W1R8J	FWFU 7W 1R8 5%	PRODUCTION
1-2176795-6	FWFU7W2R0J	FWFU 7W 2R0 5%	PRODUCTION
1-2176795-7	FWFU7W2R2J	FWFU 7W 2R2 5%	PRODUCTION
1-2176795-8	FWFU7W2R4J	FWFU 7W 2R4 5%	PRODUCTION
1-2176795-9	FWFU7W2R7J	FWFU 7W 2R7 5%	PRODUCTION
2-2176795-0	FWFU7W3R0J	FWFU 7W 3R0 5%	PRODUCTION
2-2176795-1	FWFU7W3R3J	FWFU 7W 3R3 5%	PRODUCTION
2-2176795-2	FWFU7W3R6J	FWFU 7W 3R6 5%	PRODUCTION
2-2176795-3	FWFU7W3R9J	FWFU 7W 3R9 5%	PRODUCTION
2-2176795-4	FWFU7W4R3J	FWFU 7W 4R3 5%	PRODUCTION
2-2176795-5	FWFU7W4R7J	FWFU 7W 4R7 5%	PRODUCTION

SCHEDULE

TCPN	CATALOGUE NUMBER	PART DESCRIPTION	PART STATUS
2-2176795-6	FWFU7W5R1J	FWFU 7W 5R1 5%	PRODUCTION
2-2176795-7	FWFU7W5R6J	FWFU 7W 5R6 5%	PRODUCTION
2-2176795-8	FWFU7W6R2J	FWFU 7W 6R2 5%	PRODUCTION
2-2176795-9	FWFU7W6R8J	FWFU 7W 6R8 5%	PRODUCTION
3-2176795-0	FWFU7W7R5J	FWFU 7W 7R5 5%	PRODUCTION
3-2176795-1	FWFU7W8R2J	FWFU 7W 8R2 5%	PRODUCTION
3-2176795-2	FWFU7W9R1J	FWFU 7W 9R1 5%	PRODUCTION
3-2176795-3	FWFU7W10RJ	FWFU 7W 10R 5%	PRODUCTION
3-2176795-4	FWFU7W11RJ	FWFU 7W 11R 5%	PRODUCTION
3-2176795-5	FWFU7W12RJ	FWFU 7W 12R 5%	PRODUCTION
3-2176795-6	FWFU7W13RJ	FWFU 7W 13R 5%	PRODUCTION
3-2176795-7	FWFU7W15RJ	FWFU 7W 15R 5%	PRODUCTION
3-2176795-8	FWFU7W16RJ	FWFU 7W 16R 5%	PRODUCTION
3-2176795-9	FWFU7W18RJ	FWFU 7W 18R 5%	PRODUCTION
4-2176795-0	FWFU7W20RJ	FWFU 7W 20R 5%	PRODUCTION
4-2176795-1	FWFU7W22RJ	FWFU 7W 22R 5%	PRODUCTION
4-2176795-2	FWFU7W24RJ	FWFU 7W 24R 5%	PRODUCTION
4-2176795-3	FWFU7W27RJ	FWFU 7W 27R 5%	PRODUCTION
4-2176795-4	FWFU7W30RJ	FWFU 7W 30R 5%	PRODUCTION
4-2176795-5	FWFU7W33RJ	FWFU 7W 33R 5%	PRODUCTION
4-2176795-6	FWFU7W36RJ	FWFU 7W 36R 5%	PRODUCTION
4-2176795-7	FWFU7W39RJ	FWFU 7W 39R 5%	PRODUCTION
4-2176795-8	FWFU7W43RJ	FWFU 7W 43R 5%	PRODUCTION
4-2176795-9	FWFU7W47RJ	FWFU 7W 47R 5%	PRODUCTION

THIS DRAWING IS A CONTROLLED DOCUMENT.

DIMENSIONS:
mm



TOLERANCES UNLESS OTHERWISE SPECIFIED:

- 0 PLC ±
- 1 PLC ±
- 2 PLC ±
- 3 PLC ±
- 4 PLC ±
- ANGLES ±
- FINISH -

MATERIAL

-

DWN RAMESHA L S 24APR2025

CHK TRACY G 24APR2025

APVD TRACY G 24APR2025

PRODUCT SPEC

APPLICATION SPEC

WEIGHT

-

CUSTOMER DRAWING



TE Connectivity

NAME
FUSIBLE WIREWOUND FIXED RESISTOR
TYPE FWFU 7W SERIES

SIZE CAGE CODE DRAWING NO RESTRICTED TO

A3 00779 ©=2176795

SCALE 5:1 SHEET 2 OF 2 REV BA