



ratiopac - EMC retrofitting

- Case 2.10.0
- propac2.11.0
- ratiopac2.12.0**
- cardpac2.13.0
- compac.....2.14.0
- protega2.15.0
- projet2.16.0
- Accessories2.17.0

- Subrack 2.20.0

- 19" chassis..... 2.50.0

- Modules 2.60.0

- Accessories 2.70.0

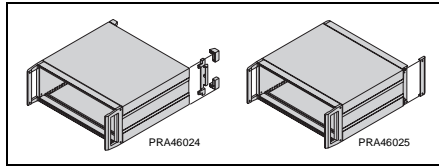
- Appendix..... 2.80.0

Overview of components for EMC retrofitting

For retrofitting a case to EMC. You will need the following components for this; see below.

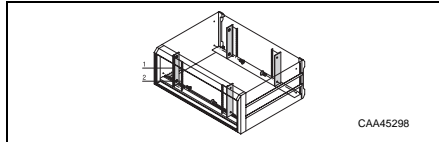
Case

- The case sizes required can be found in the Case/dual – case chapter



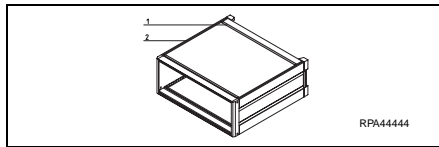
EMC contact strip

- To set up the HF shielding between EMC module and side panel



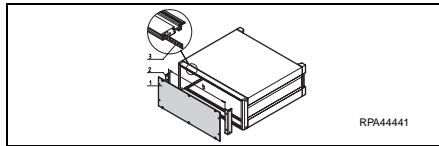
EMC contact strip

- To seal between side panel and cover of base plate



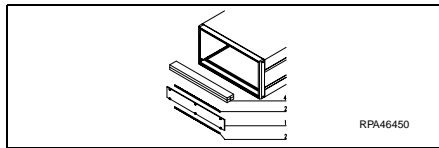
EMC full-width front panel

- mounted on horizontal rail



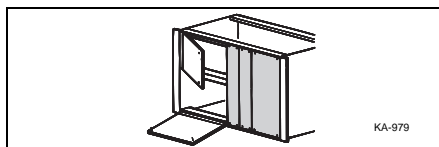
EMC partial width front panel 1 U

- For extension of 4 U cases only



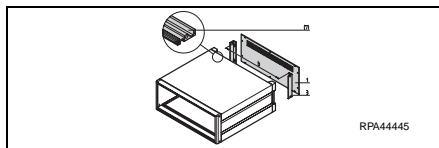
EMC partial width front panel 2 – 6 U

- Comprehensive range of sizes for front and rear installation for mounting on horizontal rail



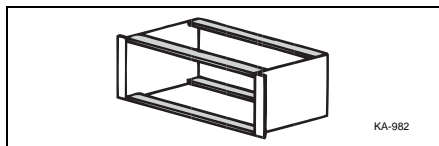
EMC full-width rear panel

- mounted on horizontal rail



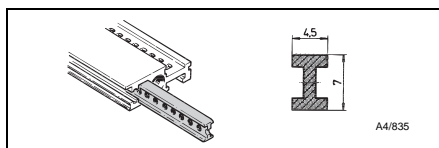
EMC horizontal rails

Installation: top/bottom and/or front/rear



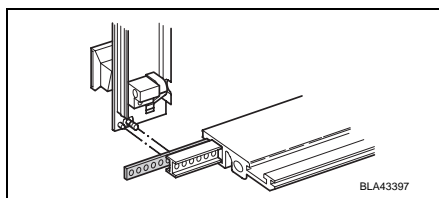
Threaded insert, double T

- For mounting partial width front panels

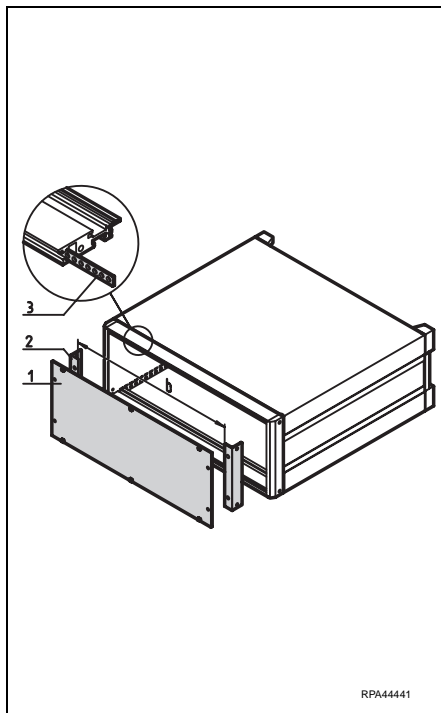


Perforated strips

- For centring the shielded plug-in units and front panels via guide dowels
- A double T threaded insert is required.



ratiofac - Front/rear panels



RPA44441

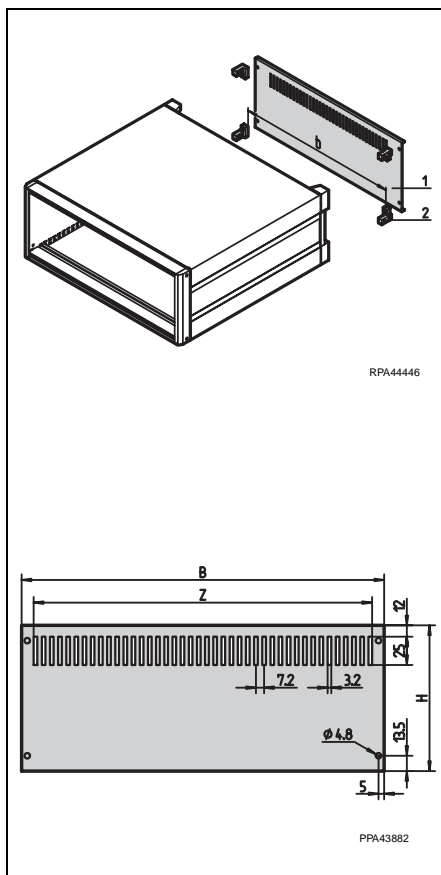
EMC full-width front panel

Case width HP	Dimension b mm	Full-width front panel EMC			
		2 U	3 U	4 U	6 U
42	188,4	-	20842-346	20842-349	-
63	295,1	20842-344	20842-347	20842-350	-
84	401,8	20842-345	20842-348	20842-351	20842-354

Delivery comprises

Item	Qty	Description	Material	Surface
1	1	Full-width front panel EMC	Al 2.5 mm	yellow chromated, visible surface anodised
2	2	Side angle	Al	
3	2	Threaded strip	Steel profile	chromated
	1 kit	Mounting parts		

Delivery: Kit



RPA44446

PPA43882

Full-width rear panel

Case dimensions		Full-width rear panel	
U	HP	without vent slots	with vent slots
2	42	20850-359	20850-044
	63	20850-360	20850-045
	84	20850-361	20850-046
3	28	20850-364	20850-050
	42	20850-365	20850-051
	63	20850-366	20850-052
4	84	20850-367	20850-053
	42	20850-372	20850-058
	63	20850-373	20850-059
6	84	20850-374	20850-060
	84	20850-381	20850-074

Delivery comprises

Item	Qty	Description	Material	Surface	Remarks
1	1	Full-width rear panel	Al	anodised, bare cut edges	28,42,63 HP = 2 mm 84 HP = 2.5 mm
2	4	Support bracket	Diecast zinc		
-	1 kit	Mounting parts			

Delivery: In kit form

U	W for case width				H
	28 HP	42 HP	63 HP	84 HP	
2	-				84,0
3	142	213	320	426	128,5
4	-				172,9
6	-			426	261,8
Z	118	190	298	406	

Case

- Case 2 U2.12.2
- Case 3 U2.12.3
- Case 4 U2.12.4
- Case 6 U2.12.5
- dual – case 3 U2.12.6
- dual – case 4 U2.12.7
- dual – case 6 U2.12.8

Front panels/rear panels

- Overview of components for EMC retrofitting2.12.10
- EMC full-width front panel2.12.11
- Full-width rear panel2.12.11
- EMC full-width rear panel2.12.12
- Partial width front panels2.12.12

Internal mounting

- Overview of Components Internal Mounting2.12.14
- Assembly positions for horizontal rails.....2.12.15
- EMC front horizontal rail, with notch2.12.16
- Front double horizontal rail, with notch ...2.12.16
- Threaded insert, standard, M 2.5 ...2.12.18
- Perforated strips2.12.20
- Guide rail for printed circuit boards2.12.20
- Z and perforated rails2.12.20
- Insulation strip ...2.12.22
- EMC contact strip2.12.22
- EMC contact strip2.12.23
- Earthing kit2.12.23

Accessories

- Cable holder2.12.24
- Handles2.12.24

- Mounting parts2.17.0
- Subdivided extension2.36.17



ratiopac - Front/rear panels

Case 2.10.0
 propac 2.11.0
ratiopac 2.12.0
 cardpac 2.13.0
 compac 2.14.0
 protega 2.15.0
 projet 2.16.0
 Accessories 2.17.0

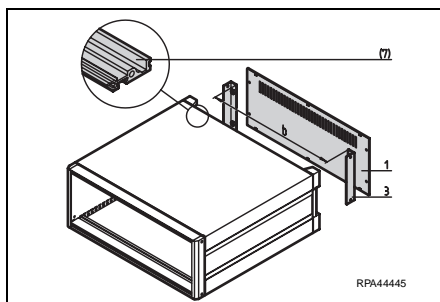
Subrack 2.20.0

19" chassis 2.50.0

Modules 2.60.0

Accessories 2.70.0

Appendix 2.80.0



EMC full-width rear panel

- With earthing connection (faston connector 6.3 mm)

Note

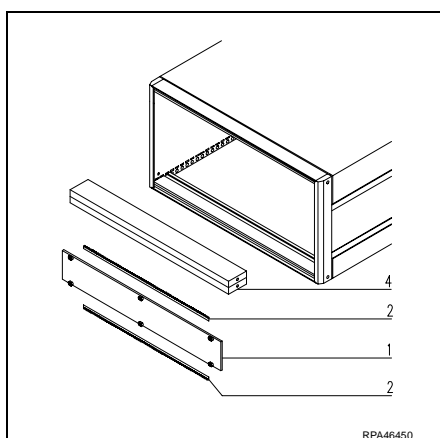
Two horizontal rails (item 7, contained in comprises, delivery) are required for mounting.
 Please order further horizontal rails separately.

Case width HP	Dimension b mm	Full-width rear panel EMC				Horizontal rail Item 7 (1 piece)
		2 U	3 U	4 U	6 U	
42	188,4	20842-328	20842-331	20842-334	20842-337	30842-153
63	295,1	20842-329	20842-332	20842-335	-	30842-154
84	401,8	20842-330	20842-333	20842-336	20842-339	30842-155

Delivery comprises

Item	Qty	Description	Material	Surface
1	1	Full-width rear panel EMC	Al 2.5 mm	yellow chromated, exterior additionally powder-coated RAL 7035
3	2	Side angle	Al	
	1 kit	Mounting parts		

Delivery: In kit form



EMC partial width front panel 1 U

- Mounting on EMC horizontal rails
- For extension of 4 U cases only

Description	Case width HP	Order No. (1 kit)
Partial width front panel EMC, 1 U	42	20850-285
	63	20850-286
	84	20850-287

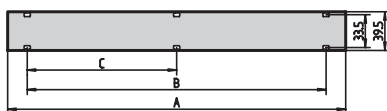
Delivery comprises

Item	Qty	Description	Material	Surface	Remarks
1	1	Partial width front panel EMC	Al 2.5 mm	Front anodised, rear side yellow chromated	Metal sleeve pressed in
2	2	Horizontal contact strip	Stainless steel		
	1 kit	Mounting parts			

Delivery: In kit form

Please order separately:

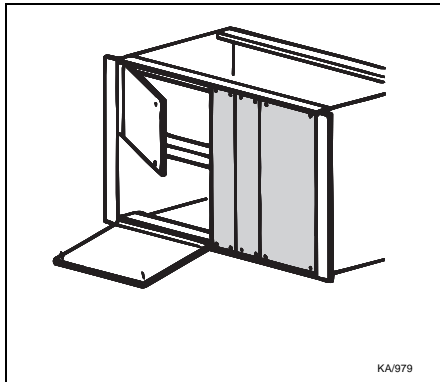
- Item 3: Refer to Threaded insert (2 pieces)
- Item 4: Refer to EMC horizontal rail (2 pieces)
- Item 5: Refer to EMC contact strip (4 pieces)
- Item 6: Refer to Double horizontal rail with top cover and notch (1 piece)



HP	A	W	C
28	141,9	127	-
42	213	196,1	101,6
63	319,7	304,8	157,5
84	426,4	411,5	206,3

Partial width front panels

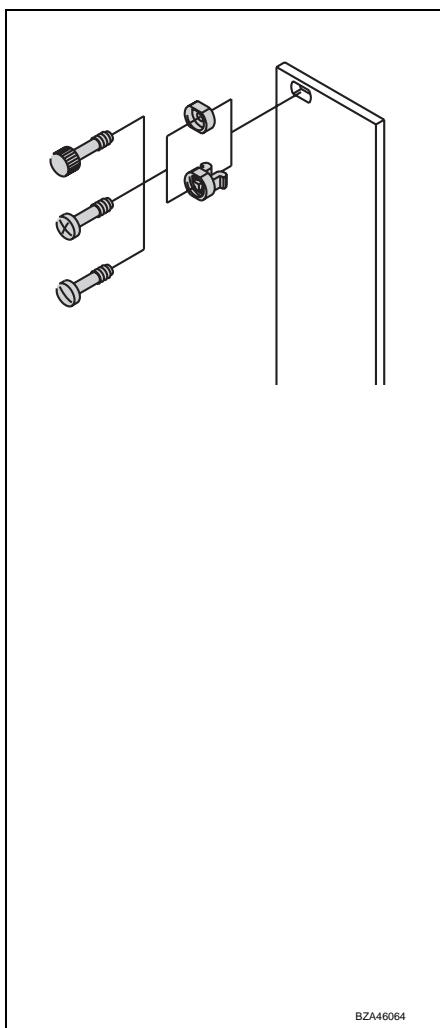
- EMC partial width front panel 1 U
- Partial width front panel 2 – 6 U



KA/979

Partial width front panel 2 - 6 U

- Partial width front panels shielded and unshielded
- For front and rear installation
- Earthing of partial width front panels
- Mounting on horizontal rails only



BZA46064

Sleeve and collar screw M 2.5

- For mounting partial width front panels

Note

- Length, collar screw, for threaded insert, standard: 11.0 mm
- Length, collar screw, for threaded insert, double T: 12.3 mm
- Plastic sleeve can be pressed in by hand.
- Metal sleeves (for earthing of front panel) must be pressed in using a tool, e.g. lever press.

Description	Material/ dimension	Colour/ Finish	Order No. (10 pieces)	Order No. (100 pieces)
Plastic sleeve	POM	grey	-	21100-464
		black	-	21100-591
Metal sleeve	Brass	nickel-plated	21100-659	21100-660
		black	21100-885	21100-886
	Stainless steel V2A		21100-661	21100-662
Collar screw with pozidrive	M 2.5 × 11	nickel-plated	-	21100-748
		black	-	21100-749
	M 2.5 × 12.3	nickel-plated	-	21101-101
		black	-	21101-102
- with knurled head	M 2.5 × 11	nickel-plated	21100-268 (50 pieces)	-
- with knurled head and slot	M 2.5 × 11	nickel-plated	-	21101-106
Quick-release fastener	Locking pin made of steel;	grey	21100-804	21100-753
		black	-	21100-755
	sleeve made of POM	grey	-	21100-754
		black	-	21100-756

Case

Case 2 U	2.12.2
Case 3 U	2.12.3
Case 4 U	2.12.4
Case 6 U	2.12.5
dual - case 3 U	2.12.6
dual - case 4 U	2.12.7
dual - case 6 U	2.12.8

Front panels/ rear panels

Overview of components for EMC retrofitting	2.12.10
EMC full-width front panel	2.12.11
Full-width rear panel	2.12.11
EMC full-width rear panel	2.12.12
Partial width front panels	2.12.12

Internal mounting

Overview of Components Internal Mounting	2.12.14
Assembly positions for horizontal rails	2.12.15
EMC front horizontal rail, with notch	2.12.16
Front double horizontal rail, with notch ...	2.12.16
Threaded insert, standard, M 2.5 ...	2.12.18
Perforated strips	2.12.20
Guide rail for printed circuit boards	2.12.20
Z and perforated rails	2.12.20
Insulation strip ...	2.12.22
EMC contact strip	2.12.22
EMC contact strip	2.12.23
Earthing kit	2.12.23

Accessories

Cable holder	2.12.24
Handles	2.12.24

Mounting parts	2.17.0
Subdivided extension	2.36.17