

## RS PRO Photoelectric Sensor

RS Stock No.: 2024424, 2024425, 2024426, 2024427, 2024428, 2024429,  
2024431, 2024432, 2024433, 2024434, 2024435, 2024436

### FEATURES

- Universal housing, an ideal replacement for a wide range of sensor types
- IP67, suitable for harsh environments
- One-click distance setting, accurate and fast
- Suitable for the detection of high light objects and some trans-parent objects
- NO and NC are switchable



RS Professionally Approved Products bring to you professional quality parts across all product categories. Our product range has been tested by engineers and provides a comparable quality to the leading brands without paying a premium price.



**Mechanical Specifications**

<b>Body Style</b>	Block
<b>Mounting Type</b>	Screw
<b>Housing Material</b>	PC+ABS
<b>Lens/Face Material</b>	PMMA
<b>Dimensions</b>	32.5*20*10.6mm
<b>Gross Weight</b>	50g (connector type) / 85g (cable type)

**Protection Category**

<b>IP Rating</b>	IP67
------------------	------

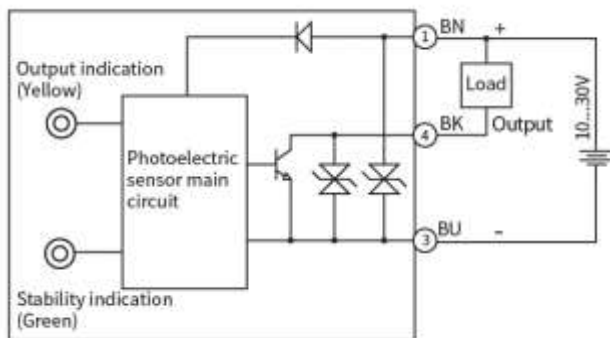
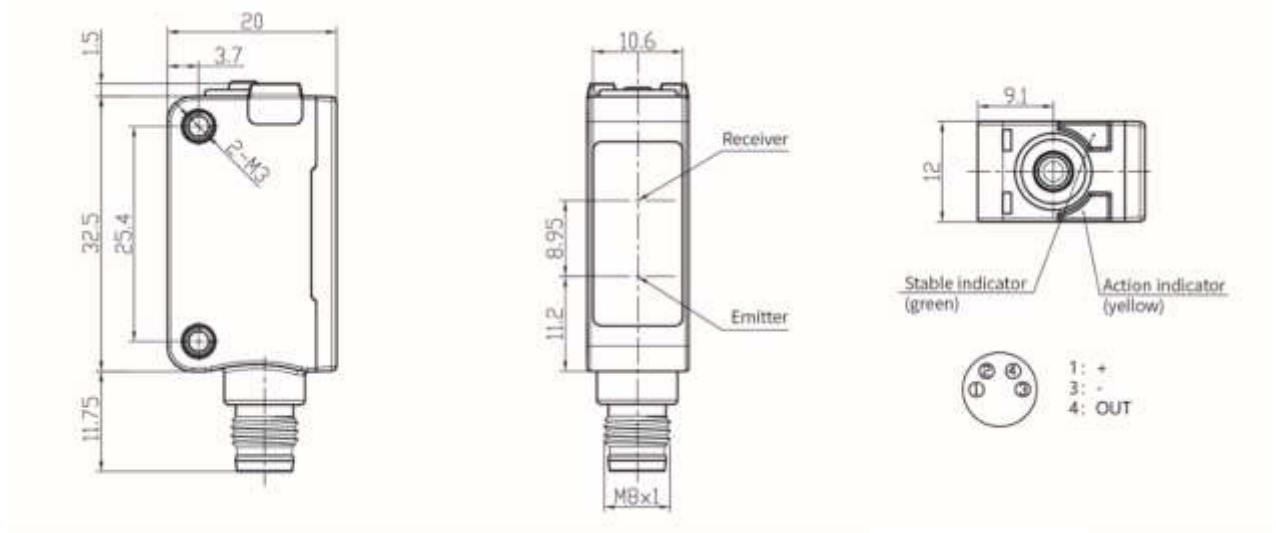
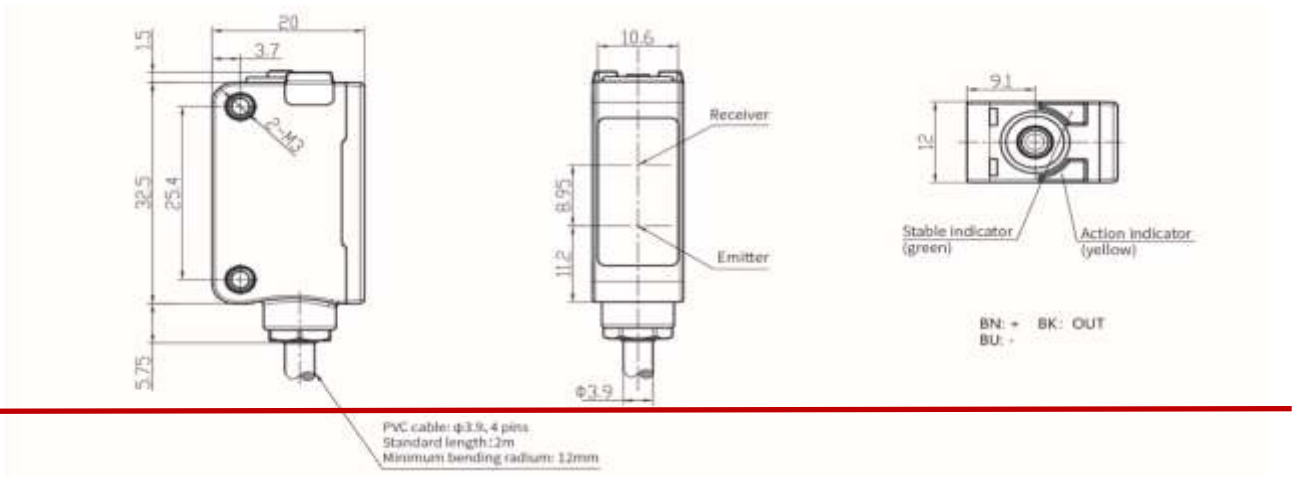
**Additional Information**

<b>Custom Tariff Number/HS code</b>	903180
<b>NO/NC adjustment</b>	Press the button for 5...8s, when the yellow and green light flash synchronously at 2Hz, leave the button and finish NO/NC adjustment.
<b>Distance adjustment</b>	Press the button for 2...5s, when the yellow and green light flash synchronously at 4Hz, leave the button and finish the distance setting; If the yellow and green light flash asynchronously @8Hz for 3s, setting fails and the product distance goes to the maximum.

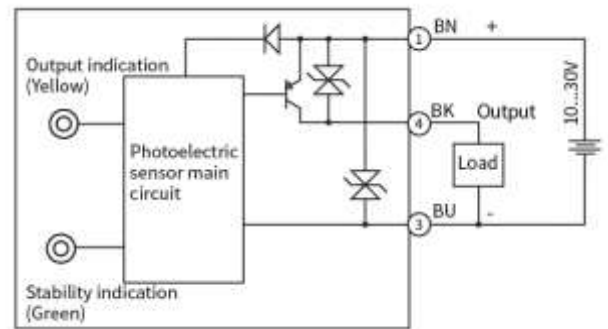
**\$\$\$UR YDOV**

<b>Compliance/Certifications</b>	CE
----------------------------------	----

## Dimension and Wiring



NPN



PNP