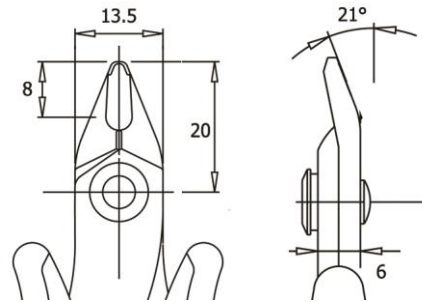


Datasheet

Cable Cutters

Flush Type Cable Cutter, 138mm Overall Length, 1.3mm cutting capacity



[RS Stock No. 245-0491](#)

Tool for a flush cut. it is ideal for delicate work in electronics, Cutting force (kg) 5.5 / Copper wire (Ø mm)1.30 (awg) 16 / Steel thickness 3.0mm. Tool length 138mm. ESD safe handles.

Specifications:

Type	Flush
Overall Length	138mm
Materials Cut	Copper Wire
Cutting Capacity	1.3mm
Cut Type	Flush
Electrostatic Discharge Safe	Yes