



Auxiliary contact, 1 N/O, 1 NC, For use with P1, P3, intermediate

Part no. HI11-P1/P3Z  
 Catalog No. 062031

EL-Nummer 1456526  
 (Norway)

### Delivery program

Product range		Accessories
Basic function		Auxiliary contact
Part group reference		P1 P3
		Late-break switching-on behavior, early-make switching-off behavior The N/O is always connected as a load-shedding contact. For left and/or right side mounting
<b>Contacts</b>		
N/O = Normally open		1 N/O
N/C = Normally closed		1 NC
For use with		P1-.../Z, .../N, .../I2, .../IVS P3-63/Z, .../N, .../I4, .../IVS P3-100/Z, .../N, .../I5, .../IVS
For use with		P1, P3, intermediate
Rated uninterrupted current	$I_u$	A 10

### Technical data

#### Auxiliary contacts

Standards			Control circuit isolator to IEC/EN 60947-5
Rated insulation voltage	$U_i$	V AC	
Rated insulation voltage	$U_i$	V AC	500
Rated uninterrupted current	$I_u$	A	
Rated uninterrupted current	$I_u$	A	10
Rated operational current	$I_e$	A	
AC-15			
230 V	$I_e$	A	
AC-15 with 230 V	$I_e$	A	6
DC-13	$I_e$		
125 V	$I_e$	A	1.1
250 V	$I_e$	A	0.55
Short-circuit rating			
Maximum fuse		A gG/gL	10
Terminal capacities		mm <sup>2</sup>	
Solid		mm <sup>2</sup>	1 x 0.75 - 2.5 2 x 0.75 - 1.5
Flexible with ferrules to DIN 46228		mm <sup>2</sup>	1 x 0.5 - 1.5 2 x 0.5 - 1.5
Stripping length		mm	7.5
Tightening torque		Nm	1
Control circuit reliability at 24 V DC, 10 mA	Fault probability	$H_F$	< 10 <sup>-5</sup> , < 1 failure in 100000 operations

### Design verification as per IEC/EN 61439

Technical data for design verification			
Rated operational current for specified heat dissipation	$I_n$	A	6
Heat dissipation per pole, current-dependent	$P_{vid}$	W	0.11
Equipment heat dissipation, current-dependent	$P_{vid}$	W	0
Static heat dissipation, non-current-dependent	$P_{vs}$	W	0

Heat dissipation capacity	P <sub>diss</sub>	W	0
Operating ambient temperature min.		°C	-25
Operating ambient temperature max.		°C	50
IEC/EN 61439 design verification			
10.2 Strength of materials and parts			
10.2.2 Corrosion resistance			Meets the product standard's requirements.
10.2.3.1 Verification of thermal stability of enclosures			Meets the product standard's requirements.
10.2.3.2 Verification of resistance of insulating materials to normal heat			Meets the product standard's requirements.
10.2.3.3 Verification of resistance of insulating materials to abnormal heat and fire due to internal electric effects			Meets the product standard's requirements.
10.2.4 Resistance to ultra-violet (UV) radiation			Meets the product standard's requirements.
10.2.5 Lifting			Does not apply, since the entire switchgear needs to be evaluated.
10.2.6 Mechanical impact			Does not apply, since the entire switchgear needs to be evaluated.
10.2.7 Inscriptions			Meets the product standard's requirements.
10.3 Degree of protection of ASSEMBLIES			Does not apply, since the entire switchgear needs to be evaluated.
10.4 Clearances and creepage distances			Meets the product standard's requirements.
10.5 Protection against electric shock			Does not apply, since the entire switchgear needs to be evaluated.
10.6 Incorporation of switching devices and components			Does not apply, since the entire switchgear needs to be evaluated.
10.7 Internal electrical circuits and connections			Is the panel builder's responsibility.
10.8 Connections for external conductors			Is the panel builder's responsibility.
10.9 Insulation properties			
10.9.2 Power-frequency electric strength			Is the panel builder's responsibility.
10.9.3 Impulse withstand voltage			Is the panel builder's responsibility.
10.9.4 Testing of enclosures made of insulating material			Is the panel builder's responsibility.
10.10 Temperature rise			The panel builder is responsible for the temperature rise calculation. Eaton will provide heat dissipation data for the devices.
10.11 Short-circuit rating			Is the panel builder's responsibility. The specifications for the switchgear must be observed.
10.12 Electromagnetic compatibility			Is the panel builder's responsibility. The specifications for the switchgear must be observed.
10.13 Mechanical function			The device meets the requirements, provided the information in the instruction leaflet (IL) is observed.

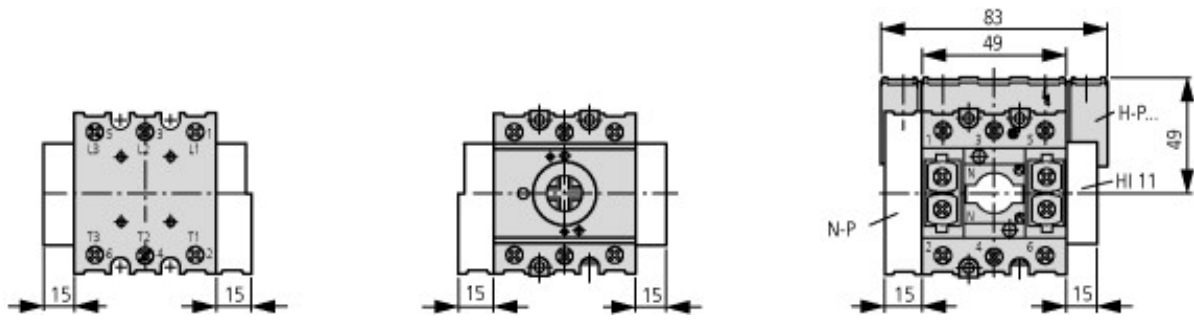
## Technical data ETIM 7.0

Low-voltage industrial components (EG000017) / Auxiliary contact block (EC000041)			
Electric engineering, automation, process control engineering / Low-voltage switch technology / Component for low-voltage switching technology / Auxiliary switch block (ecl@ss10.0.1-27-37-13-02 [AKN342013])			
Number of contacts as change-over contact			0
Number of contacts as normally open contact			1
Number of contacts as normally closed contact			1
Number of fault-signal switches			0
Rated operation current I <sub>e</sub> at AC-15, 230 V		A	6
Type of electric connection			Screw connection
Model			Top mounting
Mounting method			Side mounting
Lamp holder			Other

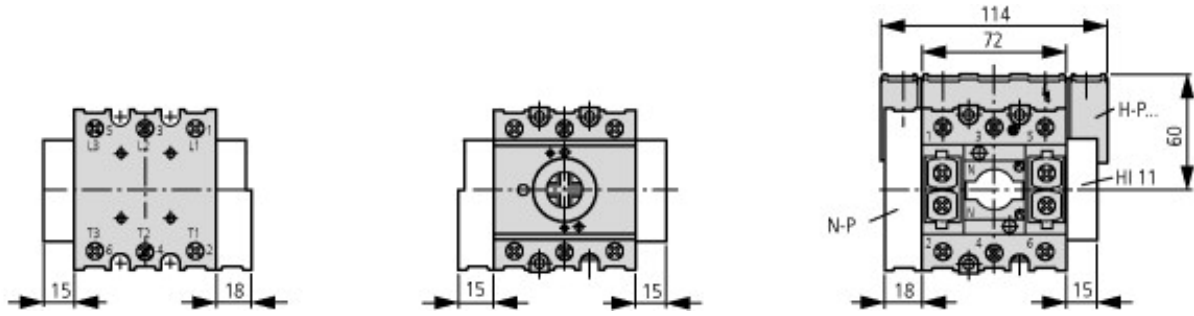
## Approvals

Product Standards			UL 508; CSA-C22.2 No. 14-05; IEC/EN 60947-5; CE marking
UL File No.			E36332
UL Category Control No.			NLRV
CSA File No.			12528
CSA Class No.			3211-05
North America Certification			UL listed, CSA certified

## Dimensions



P1



P3