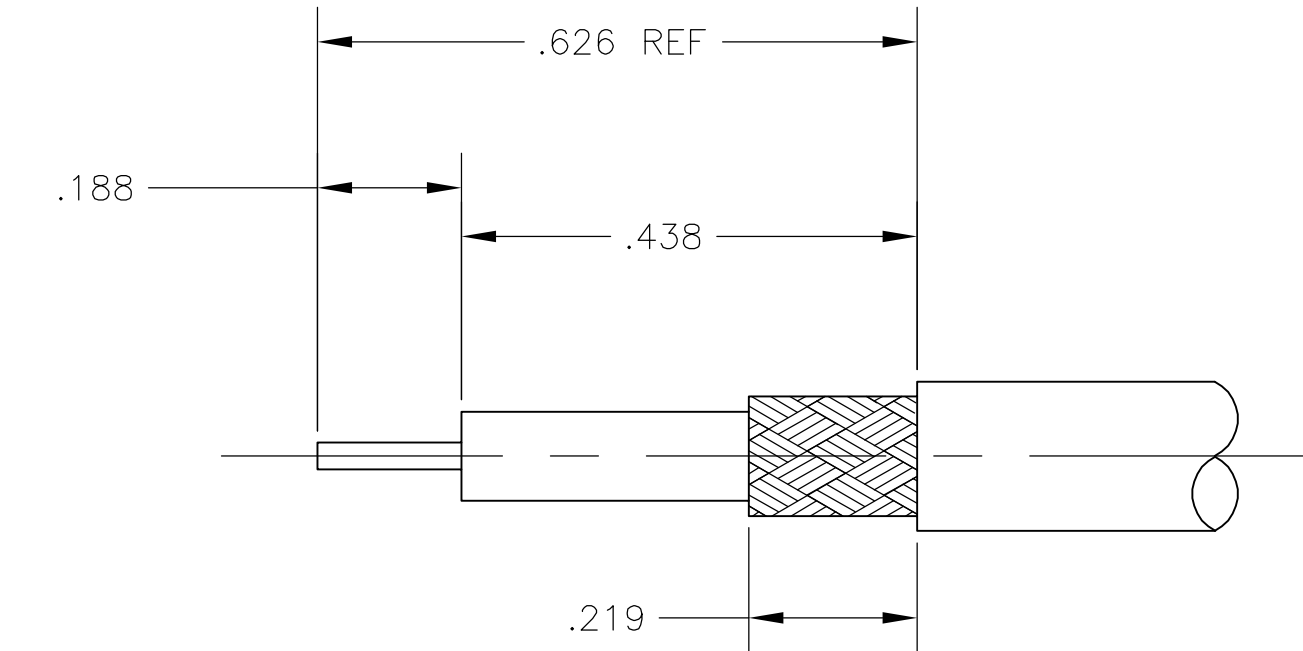
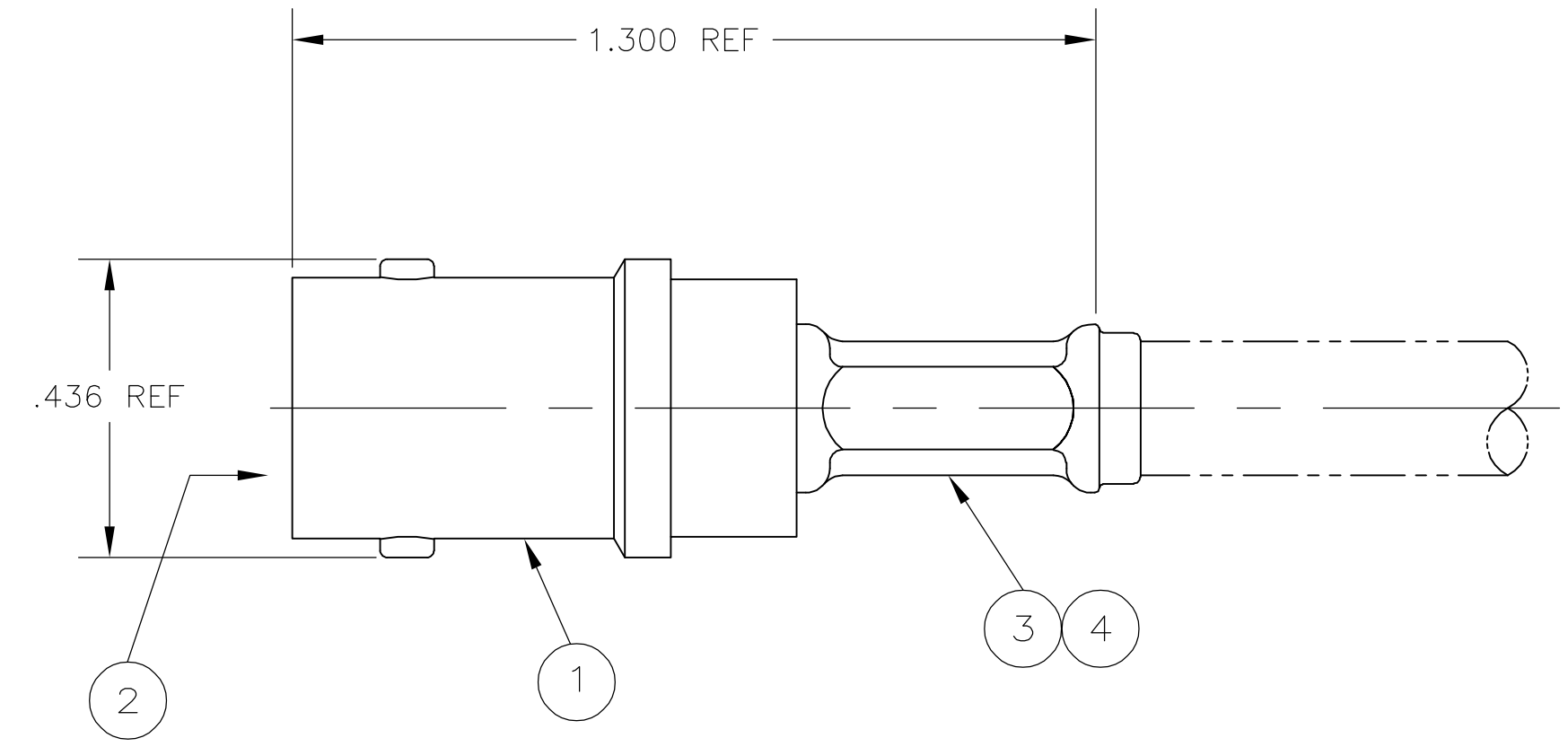


⚠ USE WITH PRO-CRIMPER 354940-1.
 2. SEE INSTRUCTION SHEET 408-9778.



RECOMMENDED STRIP LENGTH

RG-179/U, 179A/U, 179B/U, 187/U & 187A/U	.068	.178	58436-3	21427-2	9-413658-0	2-413774-0	413780-3	5413779-4
RG-174/U, 188/U & 316/U	.068	.178	58436-3	21427-2	9-413658-0	1-413774-5	413780-3	5413779-3
FOR USE WITH CABLE	CONTACT CRIMP (HEX)	FERRULE CRIMP	DIE SET ⚠	④ TUBING QTY=1	③ FERRULE QTY=1	② CONTACT QTY=1	① JACK ASSEMBLY QTY=1	PART NUMBER

THIS DRAWING IS A CONTROLLED DOCUMENT.

DIMENSIONS: INCHES	TOLERANCES UNLESS OTHERWISE SPECIFIED:	DWN: A. FERNANDEZ-DOCKIS	22APR2005		Tyco Electronics Corporation Harrisburg, Pa 17105-3608																									
<table border="1"> <tr><td>0</td><td>PLC</td><td>±</td><td>-</td></tr> <tr><td>1</td><td>PLC</td><td>±</td><td>-</td></tr> <tr><td>2</td><td>PLC</td><td>±</td><td>-</td></tr> <tr><td>3</td><td>PLC</td><td>±</td><td>-</td></tr> <tr><td>4</td><td>PLC</td><td>±</td><td>-</td></tr> <tr><td colspan="2">ANGLES</td><td>±</td><td>-</td></tr> <tr><td colspan="2">FINISH</td><td>±</td><td>-</td></tr> </table>	0	PLC	±		-	1	PLC	±	-	2	PLC	±	-	3	PLC	±	-	4	PLC	±	-	ANGLES		±	-	FINISH		±	-	CDR: J. HAVENER 22APR2005 NAME: J. LIPPERT 22APR2005 PRODUCT SPEC: - APPLICATION SPEC: - WEIGHT: - CUSTOMER DRAWING
0	PLC	±	-																											
1	PLC	±	-																											
2	PLC	±	-																											
3	PLC	±	-																											
4	PLC	±	-																											
ANGLES		±	-																											
FINISH		±	-																											