

Product datasheet

Specifications



standard power distribution kit STB - 115..230 V AC

Local distributor code:

389839329

STBPDT2100K

EAN Code: 3595863949186

Main

Range of product	Modicon STB distributed I/O solution
Product or component type	Standard power distribution kit
Kit composition	STBPDT2100 module STBXBA2200 base STBXTS2130, spring type connectors STBXTS1130, screw type connectors
Product compatibility	Mounting base STBXBA2200
[Us] rated supply voltage	115...230 V for AC
Power supply output current	0...10 A for output circuit 0...2.5 A for input circuit 0...5 A for input circuit 0...5 A for output circuit

Complementary

Supply frequency	50...60 Hz
Voltage range	85...265 V AC sensor/actuator bus
Protection type	Built-in overcurrent protection, 10 A time-lag fuse for output circuit Built-in overcurrent protection, 5 A time-lag fuse for input circuit
Permissible current	30 A for 2 minutes grounding terminal
Voltage detection threshold	< 50 V +/-5 AC IN/OUT LED non lit > 70 V +/-5 AC IN/OUT LED lit
Hot swapping fallback	No
Protection type	Overcurrent protection
Local signalling	1 LED green for actuator bus power supply (OUT) 1 LED green for sensor bus power supply (IN)
Housing colour	White
Height	18.4 mm
Width	125 mm
Depth	65.1 mm
Net weight	0.129 kg
Overvoltage category	II

Environment

IP degree of protection	IP20
Marking	CE

Disclaimer: This documentation is not intended as a substitute for and is not to be used for determining suitability or reliability of these products for specific user applications

Product certifications	CSA FM Class 1 Division 2 UL
Standards	EN/IEC 61131-2 type 1
Ambient air temperature for operation	0...60 °C (without derating)
Ambient air temperature for storage	-40...85 °C without derating
Relative humidity	95 % at 60 °C without condensation
Operating altitude	<= 2000 m
Pollution degree	2
Vibration resistance	3 gn (f = 58...150 Hz) on 35 mm DIN rail 5 gn (f = 58...150 Hz) on 35 mm DIN rail +/-0.35 mm (f = 10...58 Hz)
Shock resistance	30 gn for 11 ms conforming to IEC 88 reference 2-27

Packing Units

Unit Type of Package 1	PCE
Number of Units in Package 1	1
Package 1 Height	2.700 cm
Package 1 Width	8.600 cm
Package 1 Length	14.000 cm
Package 1 Weight	148.000 g
Unit Type of Package 2	S02
Number of Units in Package 2	24
Package 2 Height	15.000 cm
Package 2 Width	30.000 cm
Package 2 Length	40.000 cm
Package 2 Weight	3.930 kg

Logistical informations

Country of origin	FR
--------------------------	----

Contractual warranty

Warranty (in months)	18
-----------------------------	----



Environmental Data

Schneider Electric aims to achieve Net Zero status by 2050 through supply chain partnerships, lower impact materials, and circularity via our ongoing “Use Better, Use Longer, Use Again” campaign to extend product lifetimes and recyclability.

[Environmental Data explained >](#)

[How we assess product sustainability >](#)

Use Better



Materials and Substances

Packaging made with recycled cardboard

No

SCIP Number

6830dd70-e4bc-47df-85c7-e41f888576f4

Use Longer



Lifetime extension

Repair

No

Use Again



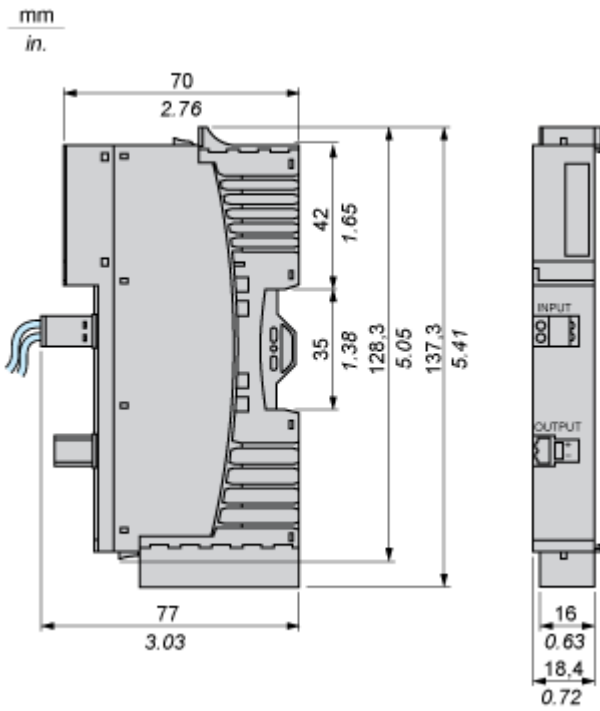
Repack and remanufacture

Take-back

No

Dimensions Drawings

Dimensions

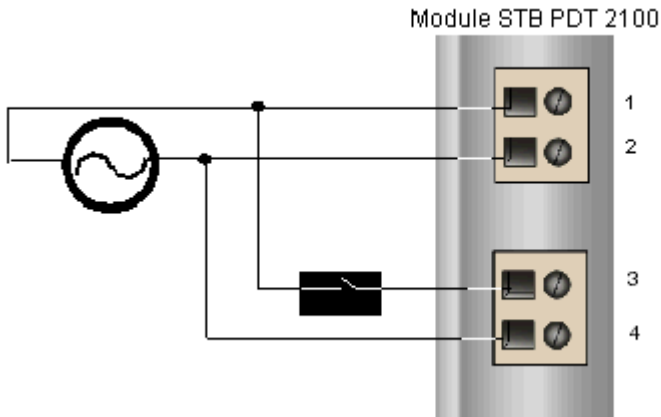


Connections and Schema

Wiring Diagram

Example

Single power supply



Pin	Top Connector	Bottom Connector
1	+115/230 VAC for the sensor bus	+115/230 VAC for the actuator bus
2	-115/230 VAC sensor power return	-115/230 VAC actuator power return