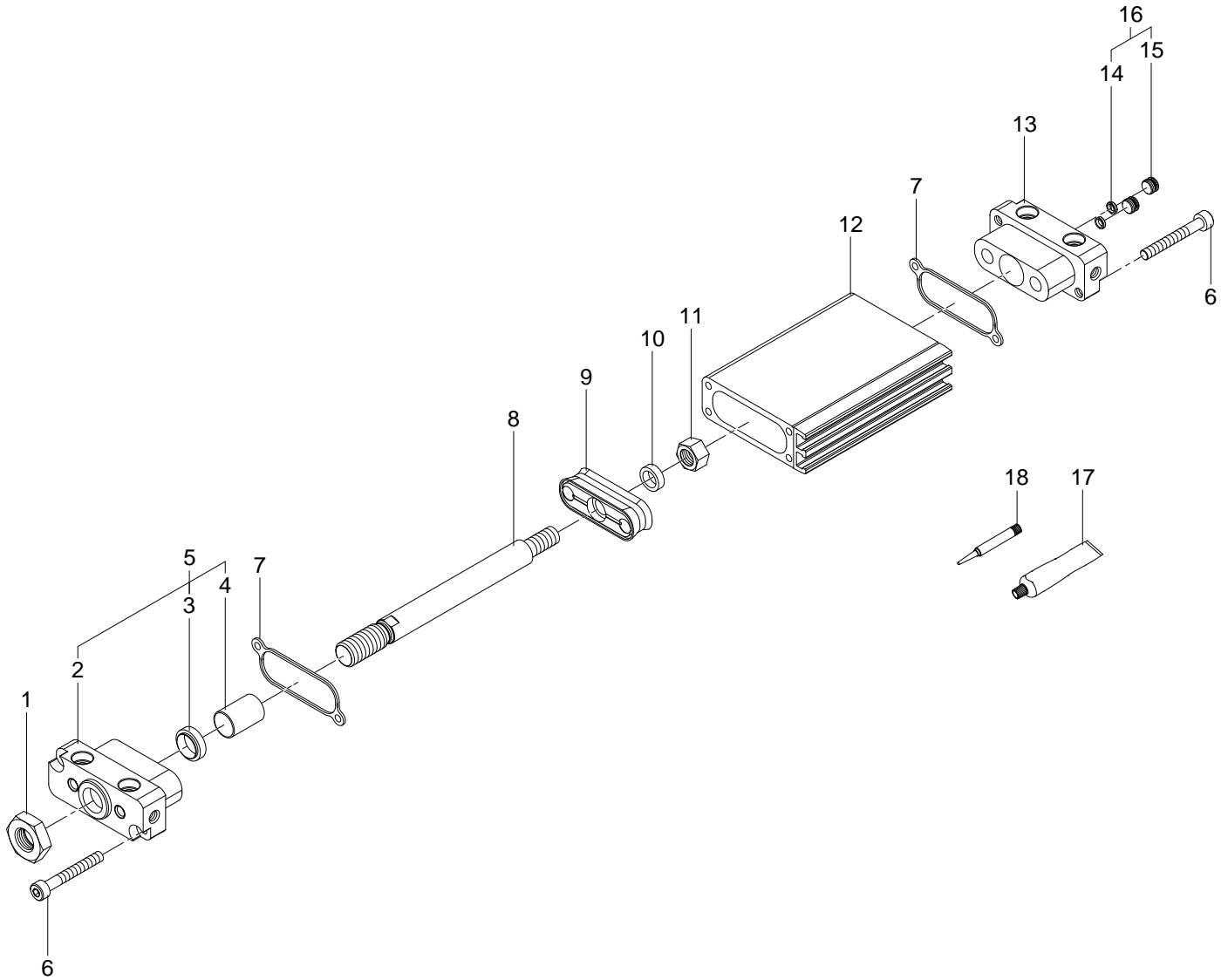


161280 DZF-40-40-A-P-A Flat cylinder - Series till 03-2022



161280 DZF-40-40-A-P-A Flat cylinder - Series till 03-2022

Pos.	Part no.	Type	Note	Qty.	Unit
A	384325	DZF-40-A-P-A :TO 03-2022 Set of wearing parts	Spare parts: 3, 7, 9, 16, 17, 18	1	PC
1	203968	DIN 439-B-M12X1,25-04 Hex nut		1	PC
2		DZF-40 Bearing cap	Not available separately, see position 5	1	PC
3	369543	WIFC1-16X20,5X4-TPE-U Wiper seal	Grease using during assembly. See position 17	1	PC
4		16X18X25-1625-DP4 Bearing bushing	Not available separately, see position 5	1	PC
5	382150	DZF-40 Bearing cap module		1	PC
6	693434	SF-F-I-M5X30-10.9 self-tapping screw	Tightening torque 6 Nm / 4.4 lbf ft Use locking compound. See position 18	4	PC
7		DZF- 40 NBR Seal	Not available separately, see position A Grease using during assembly. See position 17	2	PC
8	382161	ARA-16-X0044,8 Piston rod	When ordering please specify the stroke (see type plate)	1	PC
9		DZF-40-P-A Piston module	Not available separately, see position A Grease using during assembly. See position 17	1	PC
10		11 X 16 X 4 Ring	Not available	1	PC
11	200139	DIN 980-V-M10-8 Hex nut	Tightening torque 20 Nm / 14.8 lbf ft	1	PC
12		DZF- 40- -PA Cylinder barrel	Not available Grease using during assembly. See position 17	1	PC
13	382159	DZF-40 End cap module		1	PC
14		5,8X8,2X2 Sealing ring	Not available separately, see position 16	2	PC
15		G1/8A Plug screw	Not available separately, see position 16	2	PC
16	116515	G1/8 Plug screw		2	PC
17	711822	LUB-AL2-SILIKONFREI-20ML Lubricating grease		1	PC
18	8181256	CYBERBOND TM44 TB1ML Adhesive bonding agent		1	PC