

## Features

- 4 Pin In-line Cable Connector
- SP25 Series
- Screw
- Male Contacts
- Threaded Coupling
- Cable Outer Diameter: 7-12mm
- With Cap
- Used in Factory Automation, Robotics, Industrial Machinery, Railway & Transportation, Aerospace & Defence, Medical Equipment, Renewable Energy Systems etc.

## RS PRO Industrial Circular Connectors

RS Stock No.: 0671665



RS PRO is the own brand of RS. The RS PRO Seal of Approval is your assurance of professional quality, a guarantee that every part is rigorously tested, inspected, and audited against demanding standards. Making RS PRO the Smart Choice for our customers.

## Product Description

The RS PRO range of industrial circular cable connectors is engineered for robust and reliable performance in demanding environments. Featuring a circular design for secure mating and easy installation, these connectors deliver outstanding protection against dust, moisture, and mechanical stress. This makes them an ideal choice for industrial automation, robotics, and outdoor applications where durability is critical. Designed to support both power and signal transmission, the connectors offer aesthetic consistency across your project by allowing a single series to be used for multiple functions. They also provide flexible configuration options, with support for panel-to-cable and cable-to-cable connections, ensuring adaptability across a wide range of industries..

## General Specifications

<b>Number of Contacts</b>	4
<b>Shell Material</b>	Polycarbonate, Nylon66, fire resistance: V-0
<b>Insert Material</b>	Polyphenylene Sulphide (PPS)
<b>Contact Material</b>	Brass Alloy
<b>Contact Plating</b>	Gold
<b>Pole Format</b>	4P
<b>Contact Gender</b>	Male
<b>Mating Type</b>	Threaded
<b>Mating Cycles</b>	500
<b>Colour</b>	Black

## Electrical Specifications

<b>Plug/Socket</b>	Socket
<b>Termination</b>	Screw
<b>Current Rating</b>	10A
<b>Voltage Rating</b>	500V
<b>Insulation Resistance</b>	$\geq 100\text{M}\Omega$
<b>Contact Resistance</b>	1m $\Omega$ Max

## Mechanical Specifications

<b>Connector Size</b>	SP25
-----------------------	------

Contact Diameter	2.5mm
Cable Outer Diameter	7-12mm
Wire size (mm <sup>2</sup> / AWG)	Min: 0.5 / 20 Max: 1.5 / 15

## Operation Environment Specifications

Operating Temperature	-40°C to 85°C
-----------------------	---------------

## Protection Category

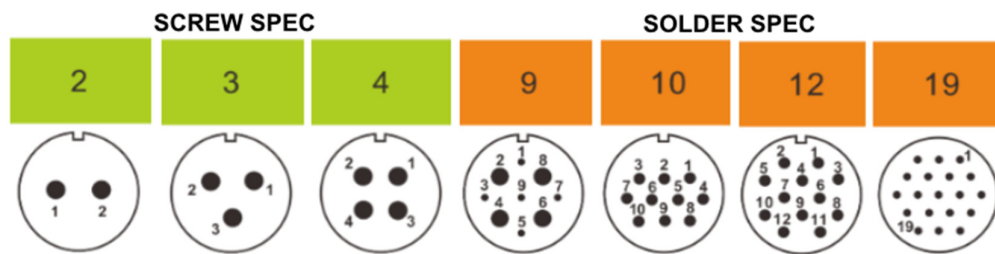
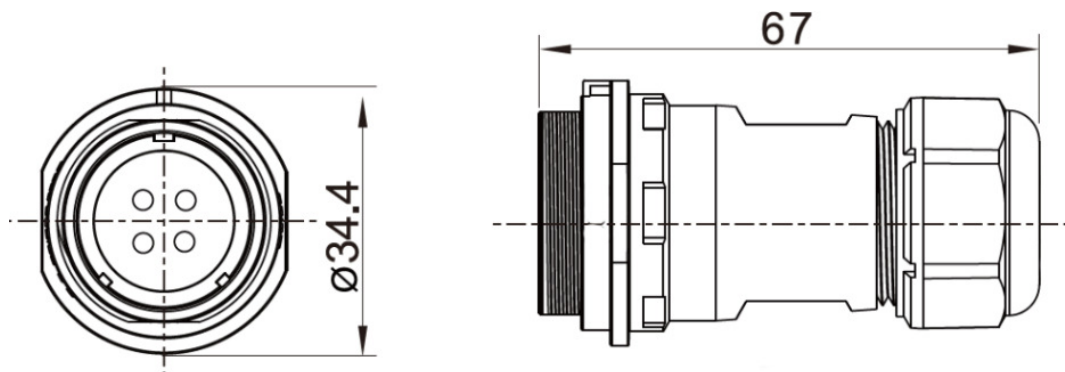
IP Rating	IP68
-----------	------

## Approvals

Compliance/Certifications	RoHS, CE
---------------------------	----------

## Mating Parts

Cable Connector	0671642
-----------------	---------



## Similar Products

Parameters	0671656	0671657	0671658	0671659	0671660
<b>Number of Contacts</b>	<b>2</b>	<b>3</b>	<b>4</b>	<b>9</b>	<b>10</b>
<b>Current Rating</b>	10	10	10	5 & 25	10
<b>Voltage Rating</b>	500	500	500	500	500
<b>Contact Gender</b>	Female	Female	Female	Female	Female
<b>Termination Method</b>	Screw	Screw	Screw	Solder	Solder
<b>Wire size (mm<sup>2</sup>)</b>	0.5-1.5	0.5-1.5	0.5-1.5	≤0.75 & ≤4	≤2
<b>Contact Diameter</b>	2.5mm	2.5mm	2.5mm	1 & 2.5mm	1.5mm

Parameters	0671661	0671662	0671663	0671664
<b>Number of Contacts</b>	<b>12</b>	<b>19</b>	<b>2</b>	<b>3</b>
<b>Current Rating</b>	10	5	10	10
<b>Voltage Rating</b>	500	400	500	500
<b>Contact Gender</b>	Female	Female	Male	Male
<b>Termination Method</b>	Solder	Solder	Screw	Screw
<b>Wire size (mm<sup>2</sup>)</b>	≤2	≤0.75	0.5-1.5	0.5-1.5
<b>Contact Diameter</b>	1.5mm	1mm	2.5mm	2.5mm

Parameters	0671576	0671577	0671578	0671579
<b>Number of Contacts</b>	<b>9</b>	<b>10</b>	<b>12</b>	<b>19</b>
<b>Current Rating</b>	5 & 25	10	10	5
<b>Voltage Rating</b>	500	500	500	400
<b>Contact Gender</b>	Male	Male	Male	Male
<b>Termination Method</b>	Solder	Solder	Solder	Solder
<b>Wire size (mm<sup>2</sup>)</b>	≤0.75 & ≤4	≤2	≤2	≤0.75
<b>Contact Diameter</b>	1 & 2.5mm	1.5mm	1.5mm	1mm