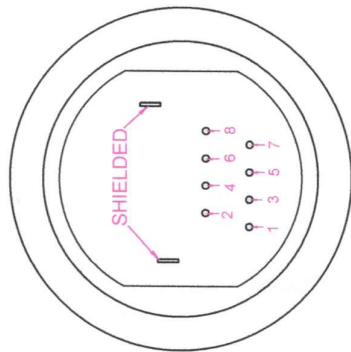
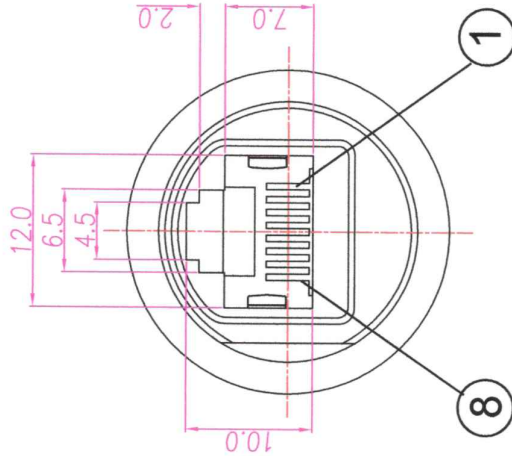




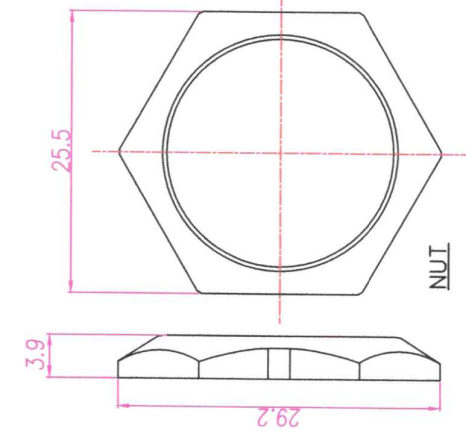
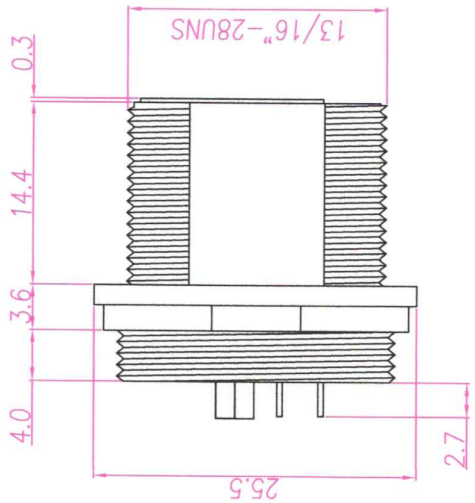
REV.	DESCRIPTION	APPLY. BY	DATE	ECN NO.
A	RELEASE	KUNG	15/09/14	
B	GROUND : NICKEL PLATED	KUNG	23/02/16	
C				



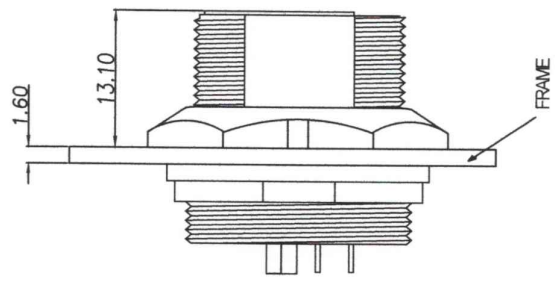
P.C.B LAYOUT



Panel Cut-Out



NUT



- MATERIAL :
  - HOUSING : PBT UL94V-0 ; COLOR : BLACK.
  - CONTACT : PHOSPHOR BRONZE
  - SHELL : Zn ALLOY
  - GROUND : SUS 301
  - O-RING : EPDM ; COLOR : BLACK.
  - NUT : BRASS
  - EPOXY BASE : EF400A&EF400B. COLOR : BLACK.
- FINISH :
  - CONTACT : GOLD FLASH MICRO INCHES MIN.
  - NUT : NICKEL PLATED.
  - SHELL : NICKEL PLATED.
  - GROUND : NICKEL PLATED.
- ELECTRICAL SPECIFICATION :
  - Rated current : 2A
  - Rated Voltage : 250V
  - Water proof : IPX7
- Environmental :
  - Operation Temperature : -40C~85C

DRAW	Ku Chou	APPVL	KUNG	TOLERANCE	MM	UNIT	SCALE	1:1	
CHECK	Emily Suen			.x ±0.20					
				.xx ±0.10					
				.xxx ±0.05					
				.xxxx ±0.03					
				ANGULA ±1°					
TITLE		RJ45 8P JACK WATERPROOF PANEL MOUNT		PART NO.		311-401		DVG NO.	
SHEET		B		VERSION		RJ 8F2-01			

Lum UK