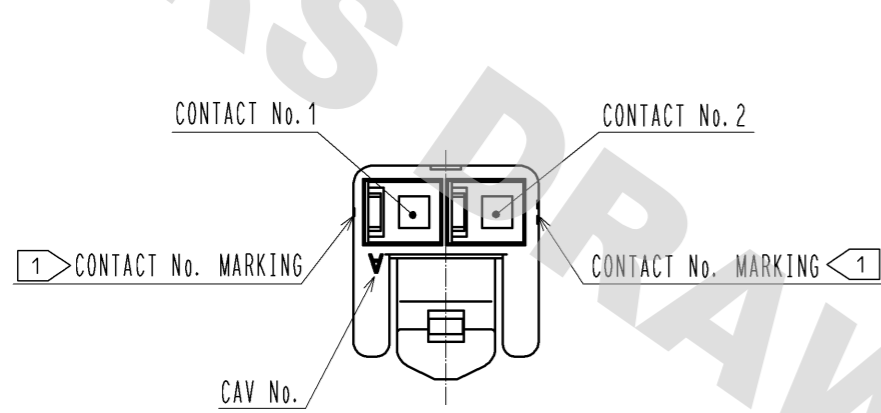
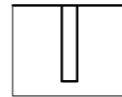


DRAWING FOR REFERENCE: This is subject to change without notice  
12/05/2013

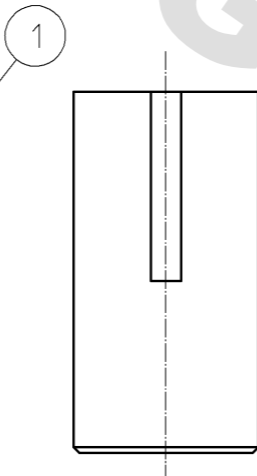
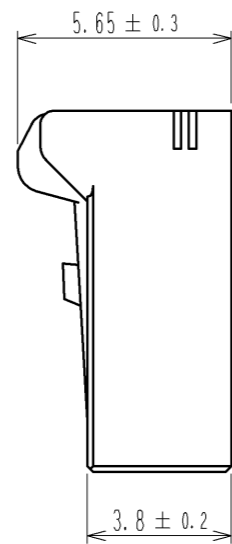
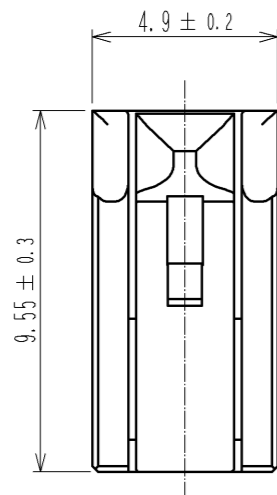
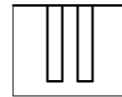
1 FIGURE-1 CONTACT No. MARKING (10:1)



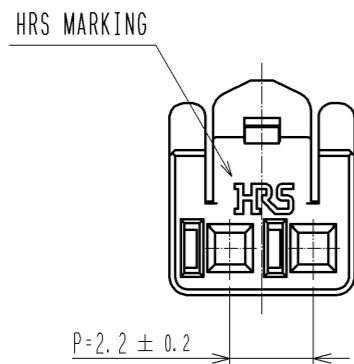
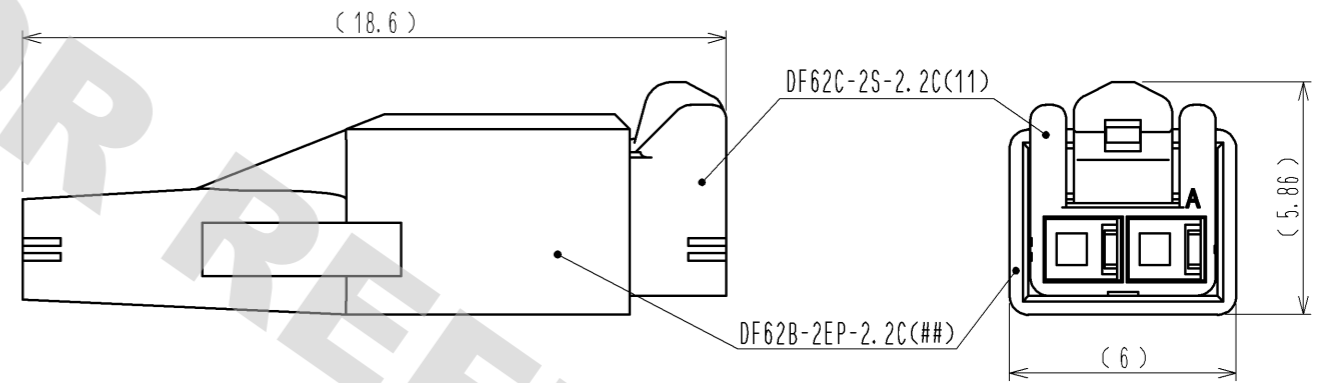
No. 1



No. 2



MATING FIGURE



- NOTE. 1 MARKINGS AT THE INDICATED POSITIONS ARE CONTACT NO. MARKING. AND SHAPES ARE SHOWN IN FIGURE-1.  
2. PER PACK : 100 PIECES.  
3. THE DIMENSIONS IN PARENTHESIS ARE FOR REFERENCE.

NO.		MATERIAL		FINISH . REMARKS		1	PBT	UL94V-0 (BLACK)
UNITS	mm	SCALE	COUNT	DESCRIPTION OF REVISIONS		DESIGNED	CHECKED	DATE
		5 : 1	△					
<b>HRS</b> HIROSE ELECTRIC CO., LTD.		APPROVED :	KI. AKIYAMA	13. 09. 17	DRAWING NO. EDC3-351970-01			
		CHECED :	OM. MIYAMOTO	13. 09. 13	PART NO. DF62C-2S-2. 2C(11)			
		DESIGNED :	TH. YOSHIKAWA	13. 09. 13	CODE NO. CL544-0565-4-11			
		DRAWN :	MI. SAKIMURA	13. 09. 09				
								1/1