

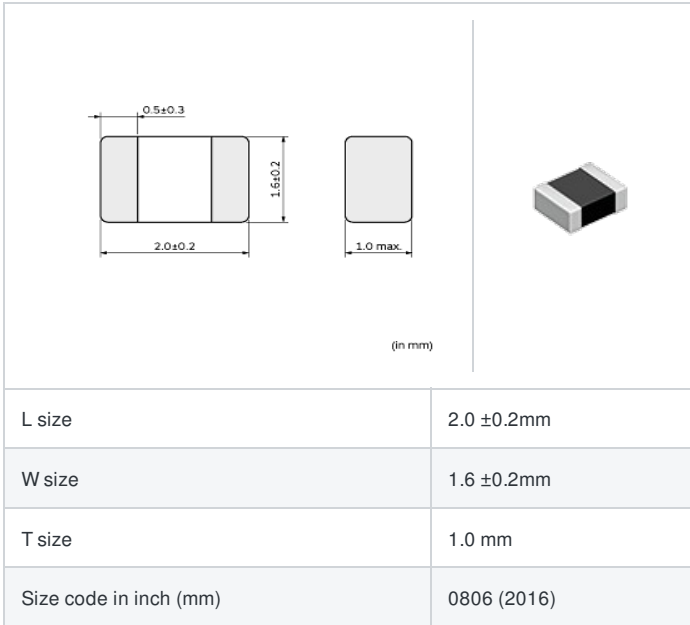
# DFE201610E-R24M#

# indicates a package specification code.



< List of part numbers with package codes >  
DFE201610E-R24M=P2

## Shape



## Notes

Rated current (Isat) is specified when the decrease of the initial inductance value at 30%. (The ambient reference temperature is 20°C.)  
Rated current (Itemp) is specified when temperature of inductor the is raised 40°C by DC current. (The ambient reference temperature is 20°C.)

## References

| Packaging code | Specifications         | Minimum quantity |
|----------------|------------------------|------------------|
| =P2            | φ180mm Embossed taping | 3000             |

| Mass (Typ.) |         |
|-------------|---------|
| 1 piece     | 0.0151g |

## Specifications

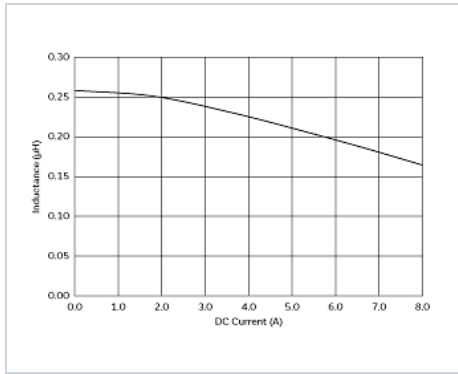
|   |             |
|---|-------------|
| Inductance  | 0.24μH ±20% |
| Inductance test frequency                                       | 1MHz        |
| Rated current (Isat) (Based on Inductance change)               | 6300mA      |
| Rated current (Itemp) (Based on Temperature rise)               | 4700mA      |
| Max. of DC resistance   | 0.020Ω      |
| Operating temperature range (Self-temperature rise is included) | -40~125°C   |
| Class of magnetic shield  | Metal Alloy |
| Absolute maximum voltage  | 20V DC      |
| Series  | DFE201610E  |

### Attention

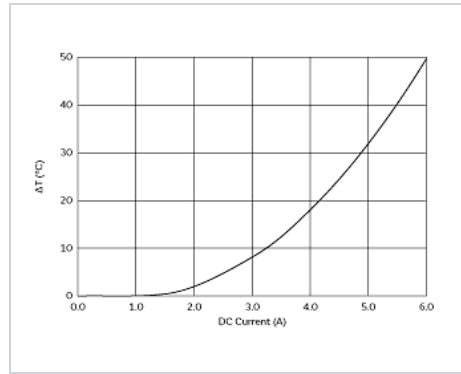
- 1.This datasheet is downloaded from the website of Murata Manufacturing Co., Ltd. Therefore, it's specifications are subject to change or our products in it may be discontinued without advance notice. Please check with our sales representatives or product engineers before ordering.
- 2.This datasheet has only typical specifications because there is no space for detailed specifications. Therefore, please review our product specifications or consult the approval sheet for product specifications before ordering.

**Chart of characteristic data (The charts below may show another part number which shares its characteristics.)**

■ Inductance-Current characteristics (Typ.)



■ Temperature rise characteristics (Typ.)



**⚠ Attention**

- 1.This datasheet is downloaded from the website of Murata Manufacturing Co., Ltd. Therefore, it's specifications are subject to change or our products in it may be discontinued without advance notice. Please check with our sales representatives or product engineers before ordering.
- 2.This datasheet has only typical specifications because there is no space for detailed specifications.  
Therefore, please review our product specifications or consult the approval sheet for product specifications before ordering.