

# Large Size Bellows Style Vacuum Pad

## Series **ZPT/ZPX**

Pad diameter:  $\varnothing 40$ ,  $\varnothing 50$ ,  $\varnothing 63$ ,  $\varnothing 80$ ,  $\varnothing 100$ ,  $\varnothing 125$

For loads with a curved surface  
For heavyweight loads  
For loads with large surface area



ZX

ZR

ZM

ZH

ZU

ZL

ZF

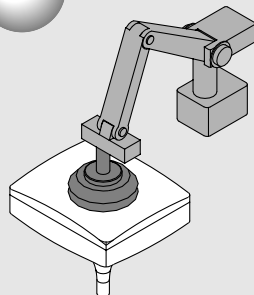
**ZP**

ZCU

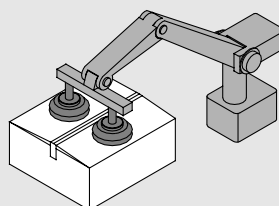
CYV

Vacuum  
related

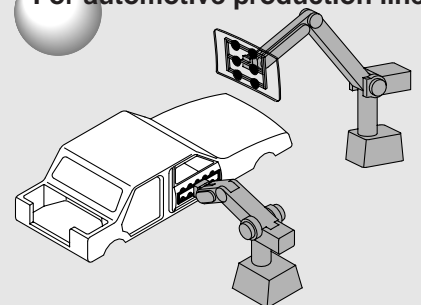
For transfer of CRT



For transfer of  
cardboard box



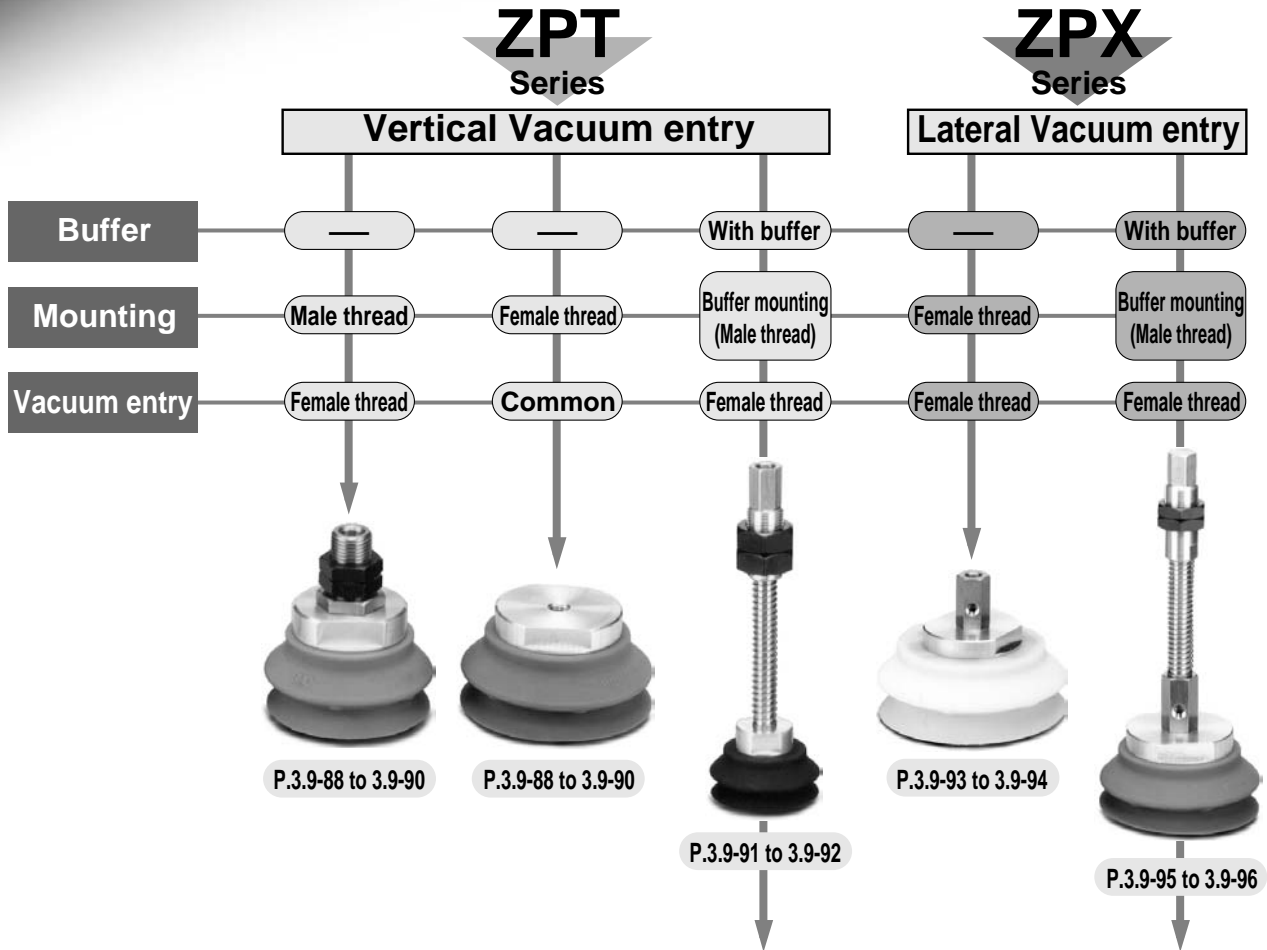
For automotive production line



# Large Size Bellows Style Vacuum Pad

## Series ZPT/ZPX

Pad diameter:  $\varnothing 40, \varnothing 50, \varnothing 63, \varnothing 80, \varnothing 100, \varnothing 125$   
 Pad material: NBR, Silicone rubber, Urethane rubber, Fluorine rubber, EPR



		Buffer stroke						
		Pad dia.	$\varnothing 40$	$\varnothing 50$	$\varnothing 63$	$\varnothing 80$	$\varnothing 100$	$\varnothing 125$
Buffer stroke	25	●	●	●	●	●	●	
	50	●	●	●	●	●	●	
	75	●	●	●	●	●	●	
	100	—	—	—	—	●	●	

### Pad Materials and Characteristics

◎: Little or no influence ○: Can be used depending on conditions. X: Not suitable

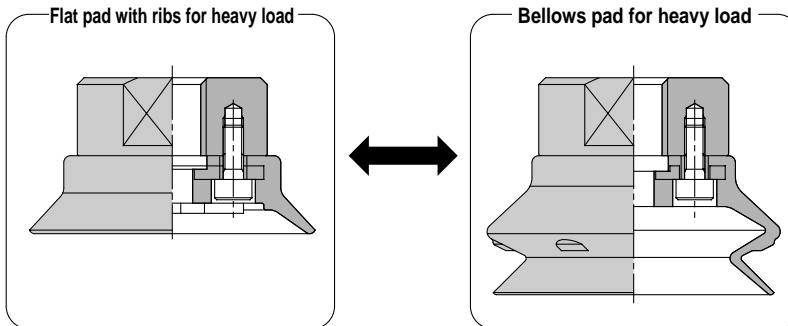
Material	Item	Durometer HS ( $\pm 5^\circ$ )	Temperature range ( $^\circ\text{C}$ )	Oil resistance (gasoline)	Oil resistance (benzol)	Alkali resistance	Acid resistance	Weatherability	Ozone resistance	Abrasion resistance	Waterproof	Solvents (benzene, toluene)
NBR		50°	0 to 120	◎	X	○	○	X	X	◎	○	X
Silicone rubber		50°	-30 to 250	X	X	○	X	◎	◎	X	○	X
Urethane rubber		60°	0 to 60	◎	X	X	X	○	◎	◎	X	X
Fluorine rubber		60°	0 to 250	◎	◎	X	◎	◎	◎	○	◎	◎
EPR		50°	-20 to 150	X	X	◎	○	◎	◎	○	◎	X

The above table covers only general characteristics of subject rubber materials.

Pad material used SMC pass nominal JIS material standards; however, actual performance depends on operating conditions.

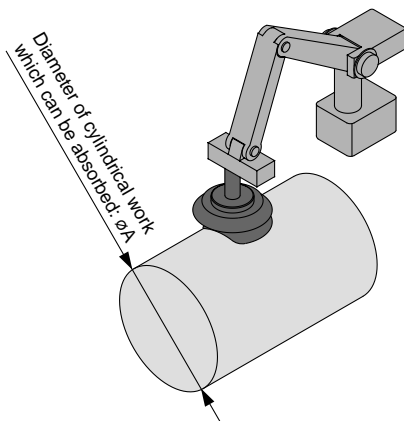
## Interchangeable with flat pad with ribs for heavy loads

When changing to a different shape pad due to load change, the pad can be easily interchanged.



Possible combination — Same pad diameter,  $\phi 40$  and  $\phi 50$ ,  $\phi 63$  and  $\phi 80$ ,  $\phi 100$  and  $\phi 125$

## Possible adsorption to cylindrical loads with easy fit to the load shape.



\*Pushing force for adsorption is almost equivalent to return force of buffer spring.

Table 1: Diameter of cylindrical work which can be absorbed. (Reference value)

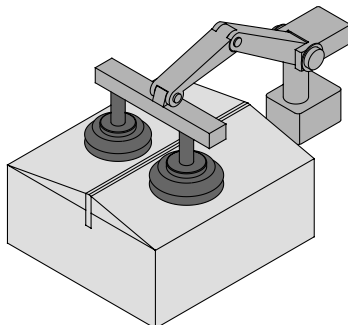
Model	Dia. of cylindrical work which can be absorbed: $\phi A^{(1)}$
ZP 40HB□	$\phi 80$ or more
50HB□	$\phi 100$ or more
63HB□	$\phi 120$ or more
80HB□	$\phi 160$ or more
100HB□	$\phi 180$ or more
125HB□	$\phi 230$ or more

Note 1) Consult SMC when requiring a diameter smaller than shown in table.

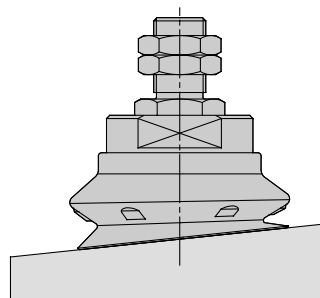
Note 2) Regard values mentioned above as reference only, since actual valves may depend on operating conditions.

## Pad shape permits adsorption to sloped surfaces.

●When work shape or angles are transformed during adsorption or transportation. (Example of a cardboard box)



●When adsorbed surface of work is sloped. (Maximum angle:  $5^\circ$ \*)



\*Regard values mentioned above as reference only, since actual valves may depend on operating conditions.

ZX

ZR

ZM

ZY

ZH

ZU

ZL

ZF

ZP

ZCU

CYV

Vacuum related

Large Size  
Bellows Style

Vertical  
Vacuum  
Entry

# Series ZPT

## Without Buffer



### Specifications

Mounting	Vacuum entry direction	Vertical		
	Connection	Male thread	Female thread	
	Thread dia.	ø40, ø50	M14 X 1	M8/M10
		ø63, ø80	M16 X 1.5	M8/M10/M12/M16 X 1.5
	ø100, ø125	M16 X 1.5	M12/M16 X 1.5	
	Vacuum entry port	Rc(PT) 1/8	Use connection for mounting	

### Pad Style

Pad dia. (mm)	ø40, ø50, ø63, ø80, ø100, ø125
Material (colour)	NBR (black), Silicone rubber (white), Urethane rubber (brown), Fluorine rubber (black with mark F), EPR (black with mark E)
Durometer	NBR/Silicon rubber/EPR (50°), Urethane/Fluorine rubber (60°)

### Weight Table

(g)

#### NBR

Part No.	Weight	Part No.	Weight
ZPT40HBN-A14	73	ZPT 80HBN-A16	195
-B 8	40	-B 8	161
-B10	39	-B10	160
ZPT50HBN-A14	89	-B12	158
-B 8	56	-B16	156
-B10	55	ZPT100HBN-A16	396
ZPT63HBN-A16	155	-B12	347
-B 8	121	-B16	345
-B10	120	ZPT125HBN-A16	580
-B12	118	-B12	531
-B16	116	-B16	529

Add NBR weight to below table for other materials.

Pad dia.	Silicone	Urethane	Fluorine	EPR
ø40	-1	+1	+10	0
ø50	-2	+1	+19	0
ø63	-3	+2	+37	0
ø80	-6	+2	+61	0
ø100	-12	+4	+121	-1
ø125	-22	+7	+228	-3

### How to Order

ZPT **40** **HB** **N** - **A14**

Pad dia. (mm)

40	ø40
50	ø50
63	ø63
80	ø80
100	ø100
125	ø125

Pad style

HB	Large size bellows
----	--------------------

Vacuum entry/ Mounting

thread diameter	ø40/ø50	ø63/ø80	ø100/ø125
A14 M14 X 1	●	—	—
A16 M16 X 1.5	—	●	●
B 8 M 8	●	●	—
B10 M10	●	●	—
B12 M12	—	●	●
B16 M16 X 1.5	—	●	●

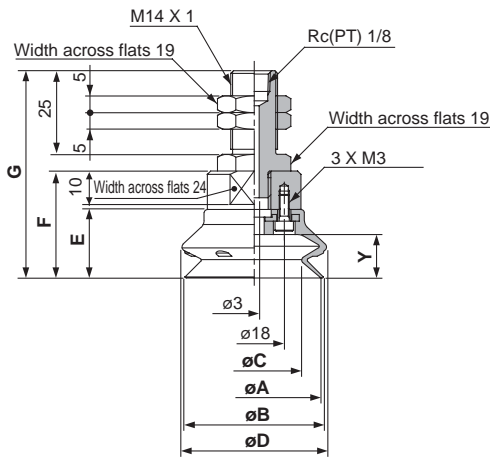
Material

N	NBR
S	Silicone rubber
U	Urethane rubber
F	Fluorine rubber
E	EPR



# Without Buffer Series ZPT

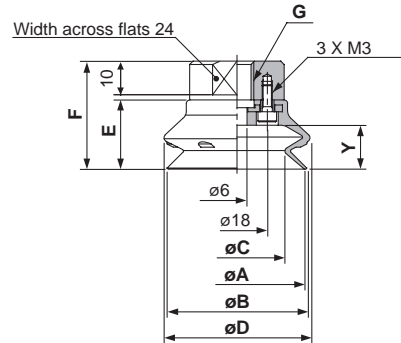
## ZPT<sub>50</sub><sup>40</sup>HB□-A14 (Male thread)



**Dimensions** (mm)

Part No.	A	B	C	D	E	F	G	Y
ZPT40HB□-A14	40	41.4	28.4	43.2	20.5	32	62	13
ZPT50HB□-A14	50	51.9	35.7	54	24	35.5	65.5	16.5

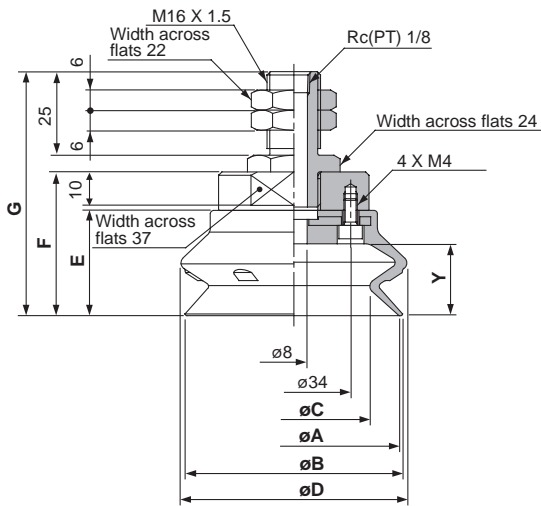
## ZPT<sub>50</sub><sup>40</sup>HB□-B□ (Female thread)



**Dimensions** (mm)

Part No.	A	B	C	D	E	F	G	Y
ZPT40HB□-B 8	40	41.4	28.4	43.2	20.5	32	M8	13
-B10							M10	
ZPT50HB□-B 8	50	51.9	35.7	54	24	35.5	M8	16.5
-B10							M10	

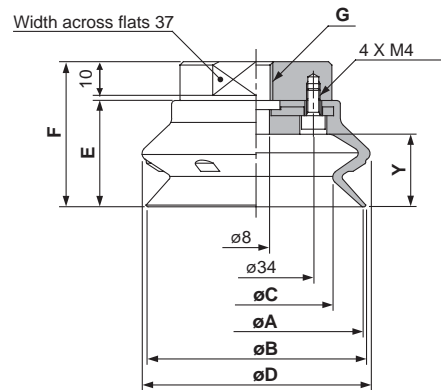
## ZPT<sub>80</sub><sup>63</sup>HB□-A16 (Male thread)



**Dimensions** (mm)

Part No.	A	B	C	D	E	F	G	Y
ZPT63HB□-A16	63	65.1	45.5	67.6	31.5	43	73	21.5
ZPT80HB□-A16	80	83	58.4	85.1	37	48.5	78.5	27.5

## ZPT<sub>80</sub><sup>63</sup>HB□-B□ (Female thread)



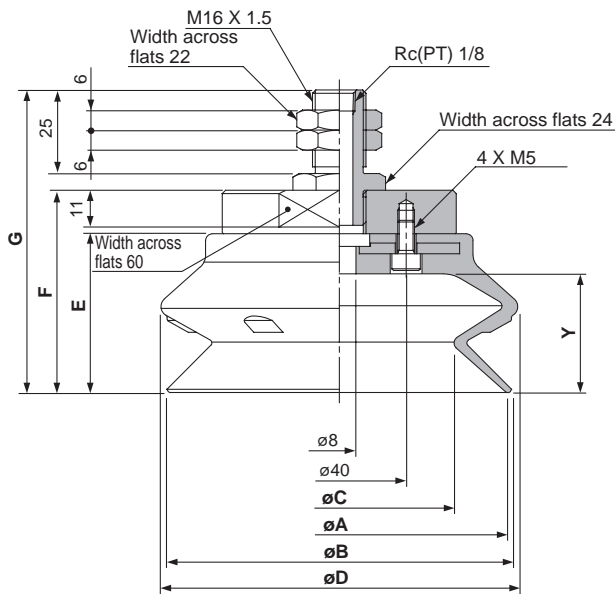
**Dimensions** (mm)

Part No.	A	B	C	D	E	F	G	Y
ZPT63HB□-B 8	63	65.1	45.5	67.6	31.5	43	M8	21.5
-B10							M10	
-B12							M12	
-B16							M16 X 1.5	
ZPT80HB□-B 8	80	83	58.4	85.1	37	48.5	M85	27.5
-B10							M10	
-B12							M12	
-B16							M16 X 1.5	

- ZX
- ZR
- ZM
- ZY
- ZH
- ZU
- ZL
- ZF
- ZP
- ZCU
- CYV
- Vacuum related

# Series ZPT

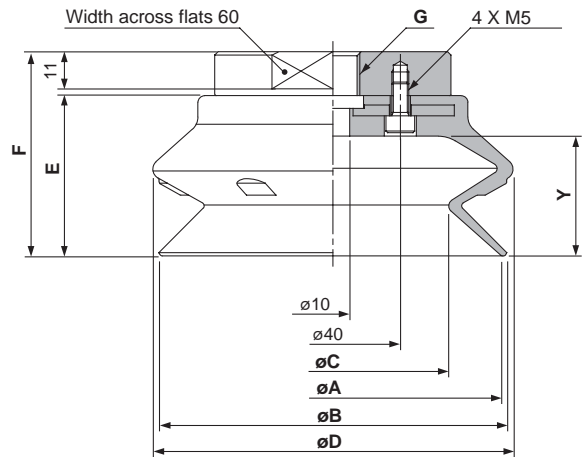
## ZPT<sub>100</sub><sup>100</sup>HB□-A16 (Male thread)



**Dimensions** (mm)

Part No.	A	B	C	D	E	F	G	Y
ZPT100HB□-A16	100	103	68.5	107	47.5	60.5	90.5	35.5
ZPT125HB□-A16	125	128.5	88.5	135	56	69	99	44

## ZPT<sub>100</sub><sup>100</sup>HB□-B□ (Female thread)



**Dimensions** (mm)

Part No.	A	B	C	D	E	F	G	Y
ZPT100HB□-B12	100	103.1	68.6	106.7	47.5	60.5	M12	35.5
-B16							M16 X 1.5	
ZPT125HB□-B12	125	128.5	88.6	135	56	69	M12	44
-B16							M16 X 1.5	

Large size  
Bellows Style

Vertical  
Vacuum  
Entry

# Series ZPT

## With Buffer



### Specifications

Mounting Thread dia.	Vacuum entry direction	Vertical
	Connection	Male thread
	ø40, ø50	M18 X 1.5
	ø63, ø80	M18 X 1.5
	ø100, ø125	M22 X 1.5
Vacuum entry port		Rc(PT) 1/8

Buffer stroke	Buffer style	Rotating (J)
	ø40 to ø80	25, 50, 75 (mm)
	ø100, ø125	25, 50, 75, 100 (mm)

### Pad Style

Pad dia. (mm)	ø40, ø50, ø63, ø80, ø100, ø125
Material (colour)	NBR (black), Silicone rubber (white), Urethane rubber (brown), Fluorine rubber (black with mark F), EPR (black with mark E)
Durometer	NBR/Silicone rubber/EPR (50°), Urethane/Fluorine rubber (60°)

### Weight Table

(g)

#### NBR

Part No.	Weight	Part No.	Weight
ZPT40HBNJ25-B01-A18	127	ZPT 80HBNJ50-B01-A18	268
50-B01-A18	147	75-B01-A18	289
75-B01-A18	168	ZPT100HBNJ25-B01-A22	535
ZPT50HBNJ25-B01-A18	143	50-B01-A22	575
50-B01-A18	163	75-B01-A22	620
75-B01-A18	201	100-B01-A22	659
ZPT63HBNJ25-B01-A18	208	ZPT125HBNJ25-B01-A22	719
50-B01-A18	228	50-B01-A22	759
75-B01-A18	249	75-B01-A22	804
ZPT80HBNJ25-B01-A18	231	100-B01-A22	843

Add NBR weight to below table for other materials.

Pad dia.	Silicone	Urethane	Fluorine	EPR
ø40	-1	+1	+10	0
ø50	-2	+1	+19	0
ø63	-3	+2	+37	0
ø80	-6	+2	+61	0
ø100	-12	+4	+121	-1
ø125	-22	+7	+228	-3

Vacuum related

### How to Order

ZPT 40 HB N J 25 - B01 - A18

Pad dia. (mm)

40	ø40
50	ø50
63	ø63
80	ø80
100	ø100
125	ø125

Mounting thread diameter

A18	M18 X 1.5 (ø40 to ø80)
A22	M22 X 1.5 (ø100, ø125)

Vacuum entry

B01	Rc(PT) 1/8
-----	------------

Pad style

HB	Large size bellows
----	--------------------

Material

N	NBR
S	Silicone rubber
U	Urethane rubber
F	Fluorine rubber
E	EPR

Applicable buffer stroke (Rotating)

Stroke	ø40	ø50	ø63	ø80	ø100	ø125
25	●	●	●	●	●	●
50	●	●	●	●	●	●
75	●	●	●	●	●	●
100	—	—	—	—	●	●

Spring force

Pad dia.	First mounting load	Second mounting load
ø40 to ø80	6.9N	11.8N
ø100, ø150	10N	15N

ZX

ZR

ZM

ZY

ZH

ZU

ZL

ZF

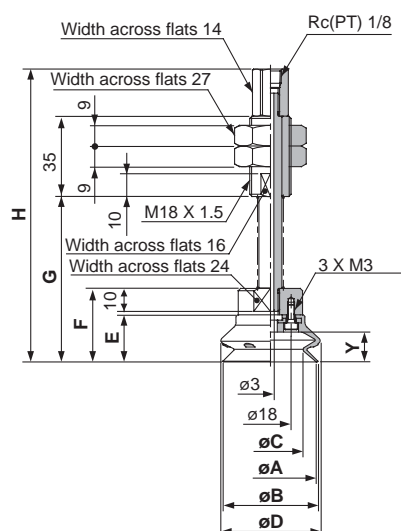
ZP

ZCU

CYV

# Series ZPT

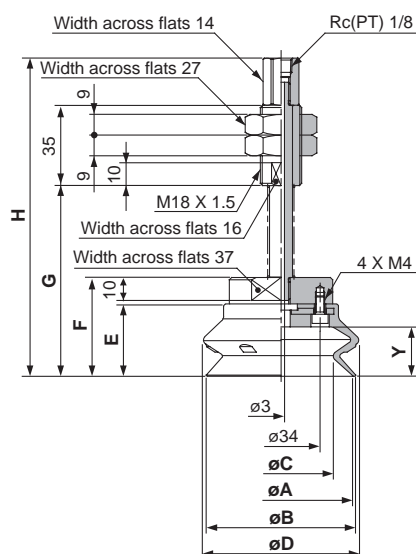
## ZPT<sup>40</sup><sub>50</sub>HB□J□-B01-A18 (Male thread)



**Dimensions** (mm)

Part No.	A	B	C	D	E	F	G	H	Y
ZPT40HB□J25-B01-A18							72	127.5	
50-B01-A18	40	41.4	28.4	43.2	20.5	32	107	162.5	13
75-B01-A18							143	198.5	
ZPT50HB□J25-B01-A18							75.5	131	
50-B01-A18	50	51.9	35.7	54	24	35.5	110.5	166	16.5
75-B01-A18							146.5	202	

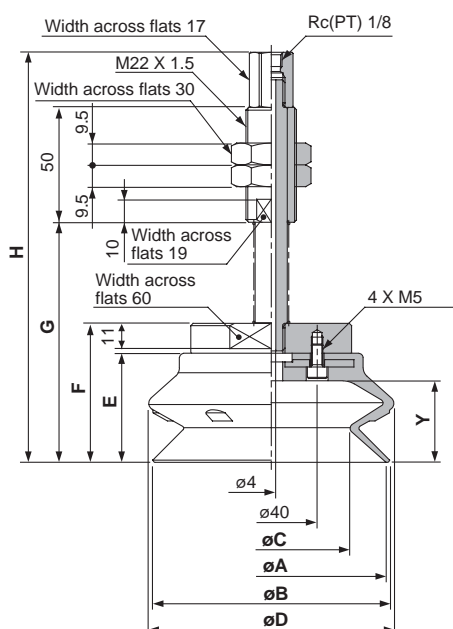
## ZPT<sup>63</sup><sub>80</sub>HB□J□-B01-A18 (Male thread)



**Dimensions** (mm)

Part No.	A	B	C	D	E	F	G	H	Y
ZPT63HB□J25-B01-A18							83	138.5	
50-B01-A18	63	65.1	45.5	67.6	31.5	43	118	173.5	21.5
75-B01-A18							154	209.5	
ZPT80HB□J25-B01-A18							88.5	144	
50-B01-A18	80	83	58.5	85.1	37	48.5	123.5	179	27.5
75-B01-A18							159.5	215	

## ZPT<sup>100</sup><sub>125</sub>HB□J□-B01-A22 (Male thread)



**Dimensions** (mm)

Part No.	A	B	C	D	E	F	G	H	Y
ZPT100HB□J25-B01-A22							104.5	178.5	
50-B01-A22	100	103.1	68.6	106.7	47.5	60.5	140.5	214.5	35.5
75-B01-A22							180.5	254.5	
100-B01-A22							215.5	289.5	
ZPT125HB□J25-B01-A22							113	187	
50-B01-A22	125	128.5	88.6	135	56	69	149	223	44
75-B01-A22							189	263	
100-B01-A22							224	298	



Large size  
Bellows Style

Lateral  
Vacuum  
Entry

# Series ZPX

## Without Buffer



### Specifications

Mounting	Vacuum entry direction		Lateral
	Connection		Female thread
	Thread dia.	ø40, ø50	M8 M10
		ø63, ø80	M10 M12
ø100, ø125		M10 M12	
Vacuum entry port			Rc(PT) 1/8

### Pad Style

Pad dia. (mm)	ø40, ø50, ø63, ø80, ø100, ø125
Material (colour)	NBR (black), Silicone rubber (white), Urethane rubber (brown), Fluorine rubber (black with mark F), EPR (black with mark E)
Durometer	NBR/Silicone rubber/EPR (50°), Urethane/Fluorine rubber (60°)

### Weight Table

(g)

#### NBR

Part No.	Weight	Part No.	Weight
ZPX40HBN-B01-B 8	150	ZPX 80HBN-B01-B10	275
-B10	152	-B12	271
ZPX50HBN-B01-B 8	166	ZPX100HBN-B01-B10	464
-B10	164	-B12	460
ZPX63HBN-B01-B10	235	ZPX125HBN-B01-B10	648
-B12	225	-B12	644

Add NBR weight to below table for other materials.

Pad dia.	Silicone	Urethane	Fluorine	EPR
ø40	-1	+1	+10	0
ø50	-2	+1	+19	0
ø63	-3	+2	+37	0
ø80	-6	+2	+61	0
ø100	-12	+4	+121	+1
ø125	-22	+7	+228	+3

### How to Order

ZPX 40 HB N - B01 - B10

Pad dia. (mm)

40	ø40
50	ø50
63	ø63
80	ø80
100	ø100
125	ø125

Pad style

HB Large size bellows

Vacuum entry/Mounting

thread diameter	ø40/ø50	ø63/ø80	ø100/ø125
B 8	M8	●	—
B10	M10	●	●
B12	M12	—	●

Vacuum entry

B01 Rc(PT) 1/8

Material

N	NBR
S	Silicone rubber
U	Urethane rubber
F	Fluorine rubber
E	EPR

ZX

ZR

ZM

ZY

ZH

ZU

ZL

ZF

ZP

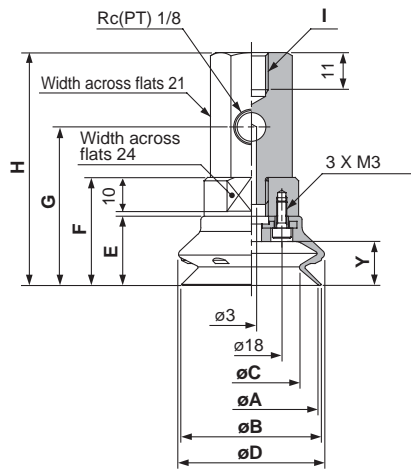
ZCU

CYV

Vacuum related

# Series ZPX

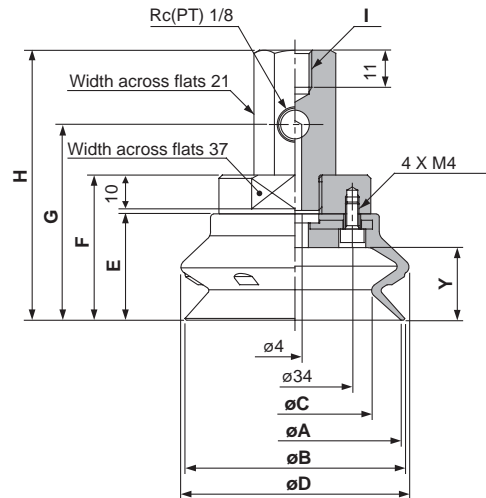
## ZPX<sub>50</sub><sup>40</sup>HB□-B01-B□ (Female thread)



### Dimensions (mm)

Part No.	A	B	C	D	E	F	G	H	I	Y
ZPX40HB□-B01-B 8	40	41.4	28.4	43.2	20.5	32	47	69	M8	13
-B10									M10	
ZPX50HB□-B01-B 8	50	51.9	35.7	54	24	35.5	50.5	72.5	M8	16.5
-B10									M10	

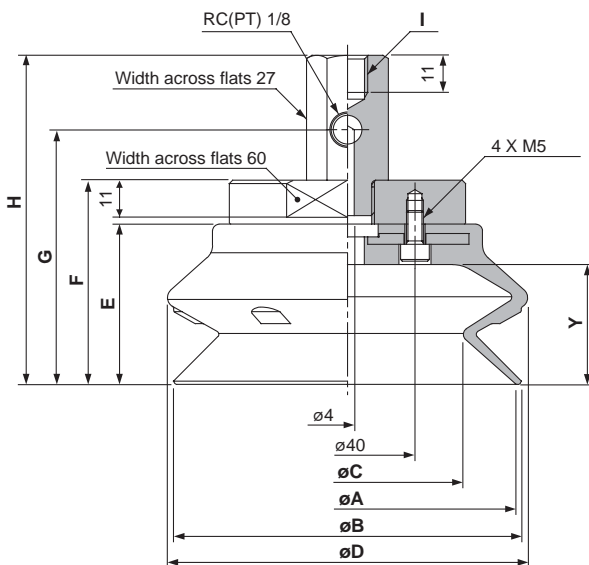
## ZPX<sub>80</sub><sup>63</sup>HB□-B01-B□ (Female thread)



### Dimensions (mm)

Part No.	A	B	C	D	E	F	G	H	I	Y
ZPX63HB□-B01-B10	63	65.1	45.5	67.6	31.5	43	58	80	M10	21.5
-B12									M12	
ZPX80HB□-B01-B10	80	83	58.4	85.1	37	48.5	63.5	85.5	M10	27.5
-B12									M12	

## ZPX<sub>125</sub><sup>100</sup>HB□-B01-B□ (Female thread)



### Dimensions (mm)

Part No.	A	B	C	D	E	F	G	H	I	Y
ZPX100HB□-B01-B10	100	103.1	68.6	106.7	47.5	60.5	75.5	97.5	M10	35.5
-B12									M12	
ZPX125HB□-B01-B10	125	128.5	88.6	135	56	69	84	106	M10	44
-B12									M12	

Large size  
Bellows Style

Lateral  
Vacuum  
Entry

# Series ZPX With Buffer



## Specifications

Mounting Thread dia.	Vacuum entry direction	Lateral
	Connection	Male thread
	ø40, ø50	M18 X 1.5
	ø63, ø80	M18 X 1.5
	ø100, ø125	M22 X 1.5
Vacuum entry port		Rc(PT) 1/8

Buffer stroke	Buffer style	Rotating (J)
	ø40 to ø80	25, 50, 75 (mm)
	ø100, ø125	25, 50, 75, 100 (mm)

## Pad Style

Pad dia. (mm)	ø40, ø50, ø63, ø80, ø100, ø125
Material (colour)	NBR (black), Silicone rubber (white), Urethane rubber (brown), Fluorine rubber (black with mark F), EPR (black with mark E)
Durometer	NBR/Silicone rubber/EPR (50°), Urethane/Fluorine rubber (60°)

## Weight Table

### NBR

Part No.	Weight	Part No.	Weight
ZPX40HBNJ25-B01-A18	268	ZPX 80HBNJ50-B01-A18	418
50-B01-A18	289	75-B01-A18	441
75-B01-A18	312	ZPX100HBNJ25-B01-A22	684
ZPX50HBNJ25-B01-A18	284	50-B01-A22	723
50-B01-A18	305	75-B01-A22	767
75-B01-A18	328	100-B01-A22	806
ZPX63HBNJ25-B01-A18	357	ZPX125HBNJ25-B01-A22	868
50-B01-A18	378	50-B01-A22	907
75-B01-A18	401	75-B01-A22	951
ZPX80HBNJ25-B01-A18	397	100-B01-A22	990

Add NBR weight to below table for other materials.

Pad dia.	Silicone	Urethane	Fluorine	EPR
ø40	-1	+1	+10	0
ø50	-2	+1	+19	0
ø63	-3	+2	+37	0
ø80	-6	+2	+61	0
ø100	-12	+4	+121	-1
ø125	-22	+7	+228	-3

## How to Order

ZPX 40 HB N J 25 - B01 - A18

Pad dia. (mm)

40	ø40
50	ø50
63	ø63
80	ø80
100	ø100
125	ø125

Pad style

HB	Large size bellows
----	--------------------

Spring force

Stroke	First mounting load	Second mounting load
ø40 to ø80	First mounting load	6.9N
	Second mounting load	11.8N
ø100, ø150	First mounting load	10N
	Second mounting load	15N

Material

N	NBR
S	Silicone rubber
U	Urethane rubber
F	Fluorine rubber
E	EPR

Vacuum entry

B01	Rc(PT) 1/8
-----	------------

Applicable buffer stroke (Rotating)

Stroke	ø40	ø50	ø63	ø80	ø100	ø125
25	●	●	●	●	●	●
50	●	●	●	●	●	●
75	●	●	●	●	●	●
100	—	—	—	—	●	●

ZX

ZR

ZM

ZY

ZH

ZU

ZL

ZF

ZP

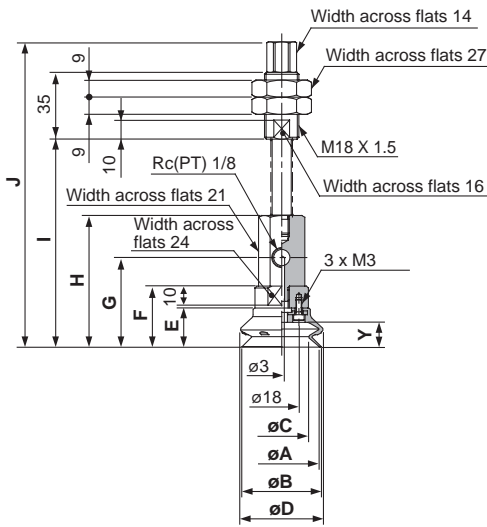
ZCU

CYV

Vacuum related

# Series ZPX

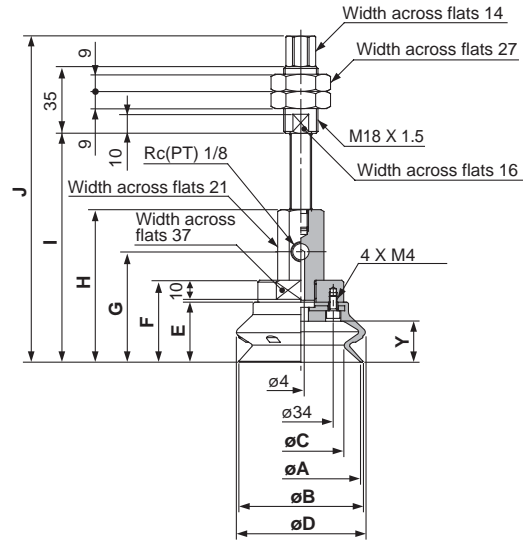
## ZPX<sub>50</sub><sup>40</sup>HB□J□-B01-A18 (Male thread)



**Dimensions** (mm)

Part No.	A	B	C	D	E	F	G	H	I	J	Y
ZPX40HB□J25-B01-A18									109	160	
50-B01-A18	40	41.4	28.4	43.2	20.5	32	47	69	144	195	13
75-B01-A18									180	231	
ZPX50HB□J25-B01-A18									112.5	163.5	
50-B01-A18	50	51.9	35.7	54	24	35.5	50.5	72.5	147.5	198.5	16.5
75-B01-A18									183.5	234.5	

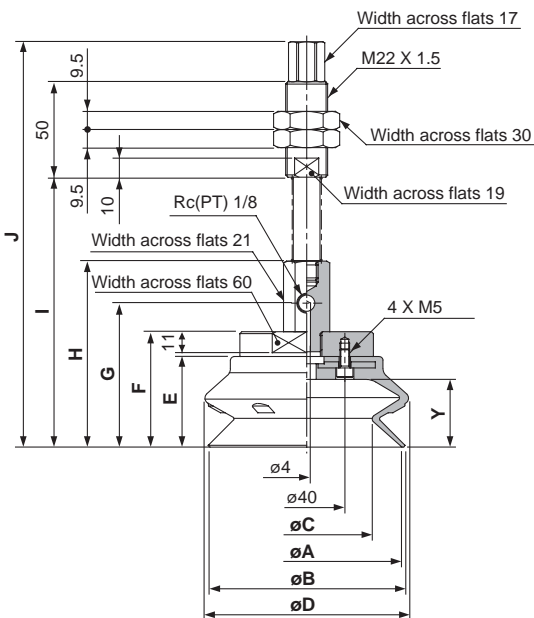
## ZPX<sub>80</sub><sup>63</sup>HB□J□-B01-A18 (Male thread)



**Dimensions** (mm)

Part No.	A	B	C	D	E	F	G	H	I	J	Y
ZPX63HB□J25-B01-A18									120	171	
50-B01-A18	63	65.1	45.5	67.6	31.5	43	58	80	155	206	21.5
75-B01-A18									191	242	
ZPX80HB□J25-B01-A18									125.5	176.5	
50-B01-A18	80	83	58.4	85.1	37	48.5	63.5	85.5	160.5	211.5	27.5
75-B01-A18									196.5	247.5	

## ZPX<sub>125</sub><sup>100</sup>HB□J□-B01-A22 (Male thread)



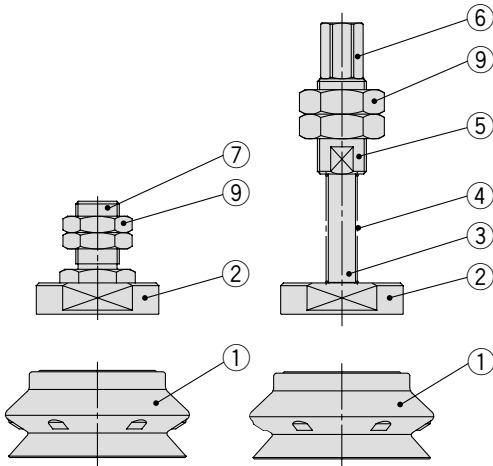
**Dimensions** (mm)

Part No.	A	B	C	D	E	F	G	H	I	J	Y
ZPX100HB□J25-B01-A22									141.5	212.5	
50-B01-A22	100	103.1	68.6	106.7	47.5	60.5	75.5	97.5	177.5	248.5	35.5
75-B01-A22									217.5	288.5	
100-B01-A22									252.5	323.5	
ZPX125HB□J25-B01-A22									150	221	
50-B01-A22	125	128.5	88.6	135	56	69	84	106	186	257	44
75-B01-A22									226	297	
100-B01-A22									261	332	

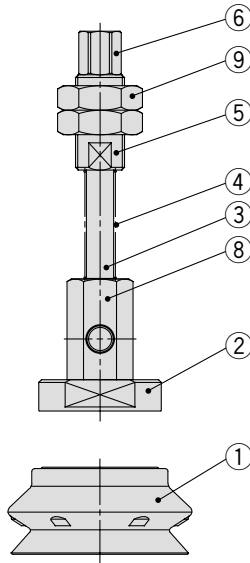
# Large Size Bellows Style Series ZPT/ZPX

## Construction

### Series ZPT



### Series ZPX



### Spare parts

No.	Description	Material	Surface treatment
①	Pad	NBR, Silicone rubber, Urethane rubber, Fluorine rubber, EPR	—
②	Adaptor plate	Aluminum	Hard chrome plated
③	Piston rod	Carbon steel	—
④	Spring	Stainless steel	—
⑤	Buffer body	Aluminum	Electroless nickel plated
⑥	Buffer adaptor	Brass	Electroless nickel plated
⑦	Adaptor A	Brass	Electroless nickel plated
⑧	X type adaptor	Brass	Electroless nickel plated
⑨	Mounting nut	Rolled steel	Black zinc chromated

ZX

ZR

ZM

ZY

ZH

ZU

ZL

ZF

ZP

ZCU

CYV

Vacuum related

## Replacement Parts/Pad Unit

### How to Order

**ZP 40 HB N**

Pad dia. (mm)      Material

40	ø40	N	NBR
50	ø50	S	Silicone rubber
63	ø63	U	Urethane rubber
80	ø80	F	Fluorine rubber
100	ø100	E	EPR
125	ø125		

Pad style  
**HB** Large size bellows

### Weight Table

(g)

#### NBR

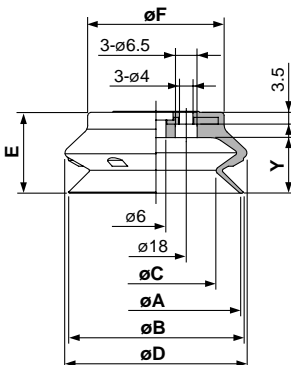
Part No.	Weight
ZP 40HBN	17
ZP 50HBN	33
ZP 63HBN	63
ZP 80HBN	103
ZP100HBN	206
ZP125HBN	390

Add NBR weight to below table for other materials.

Pad dia.	Silicone	Urethane	Fluorine	EPR
ø40	-1	+1	+10	0
ø50	-2	+1	+19	0
ø63	-3	+2	+37	0
ø80	-6	+2	+61	0
ø100	-12	+4	+121	-1
ø125	-22	+7	+228	-3

## Dimensions

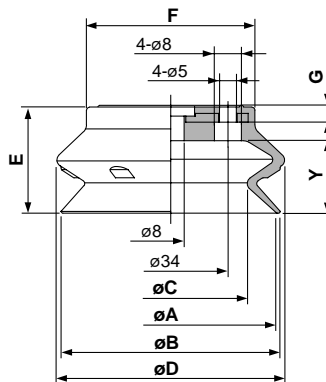
### ZP<sub>50</sub><sup>40</sup>HB□



Dimensions (mm)

Part No.	A	B	C	D	E	F	Y
ZP40HB□	40	41.4	28.4	43.2	20.5	30	13
ZP50HB□	50	51.9	35.7	54	24	40.5	16.5

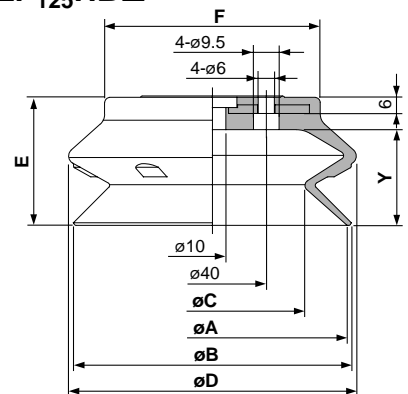
### ZP<sub>80</sub><sup>63</sup>HB□



Dimensions (mm)

Part No.	A	B	C	D	E	F	G	Y
ZP63HB□	63	65.1	45.5	67.6	31.5	50	4.5	21.5
ZP80HB□	80	83	58.4	85.1	37	64	5	27.5

### ZP<sub>125</sub><sup>100</sup>HB□



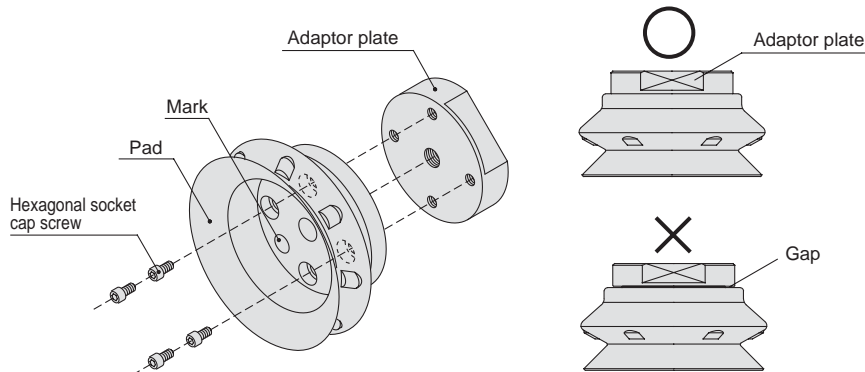
Dimensions (mm)

Part No.	A	B	C	D	E	F	Y
ZP100HB□	100	103.1	68.6	106.7	47.5	80	35.5
ZP125HB□	125	128.5	88.6	135	56	105	44

# Series ZPT/ZPX

## How to Assemble/Disassemble

Remove bolts with a hex. key wrench from the pad underside. Tighten new pad with the bolts ensuring there is no gap between the adaptor plate and the pad.



## How to Distinguish Different Pad Materials

Check for the indicator mark on the pad's interior surface as shown in the figure at left.

Material	Color	Mark
NBR	Black	—
Silicone rubber	White	—
Urethane rubber	Brown	—
Fluorine rubber	Black	(F)
EPR	Black	(E)

## Replacement Parts/Mounting Nut

### How to Order

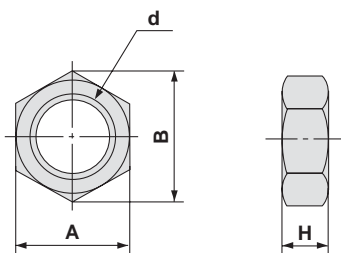
# ZPNA—M16

● Mounting thread

<b>M16</b>	M16 X 1.5
<b>M18</b>	M18 X 1.5
<b>M22</b>	M22 X 1.5

Mounting nut part number for "M14 X 1" is "SN-015A".

### Dimensions

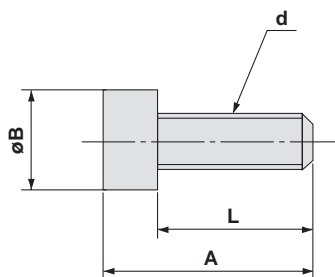


### Dimensions

Part No.	A	B	d	H
SN-015A	19	21.9	M14 X 1	5
ZPNA-M16	22	25.4	M16 X 1.5	6
ZPNA-M18	27	31.2	M18 X 1.5	9
ZPNA-M22	30	34.6	M22 X 1.5	8

## Bolts (Hexagonal Socket Head Cap Screw)

### Dimensions



### Dimensions

A	B	d	L
11	5.5	M3	8
12	7	M4	8
15	8.5	M5	10