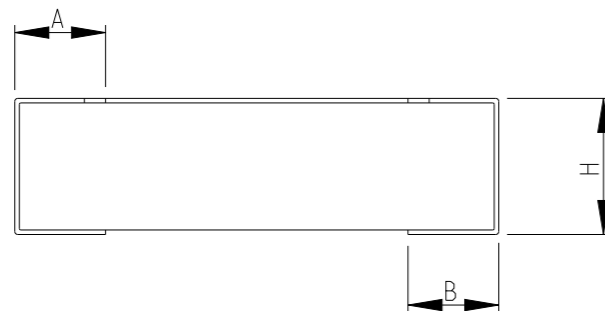
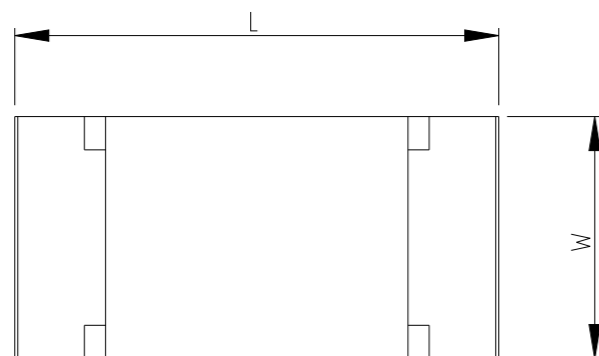
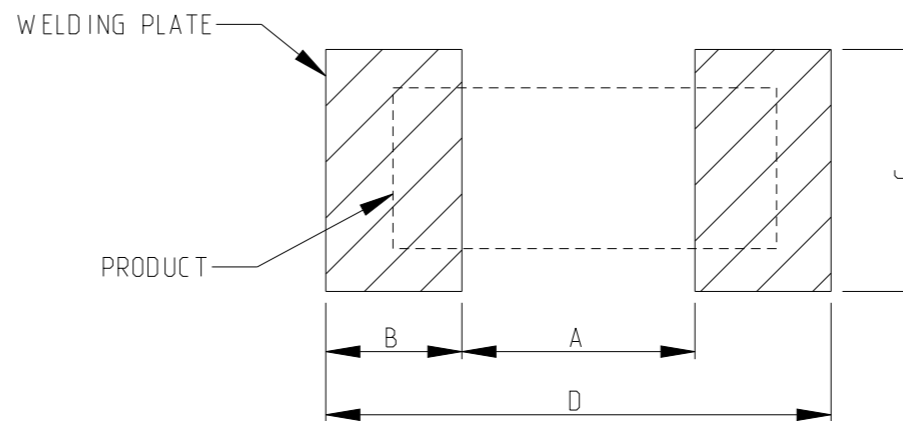


P	LTR	DESCRIPTION	DATE	DWN	APVD
	BA	NEW DRAWING	06FEB2026	CK	TG



RECOMMENDED LAND PATTERN



TEST BOARD CONSTRUCTION:

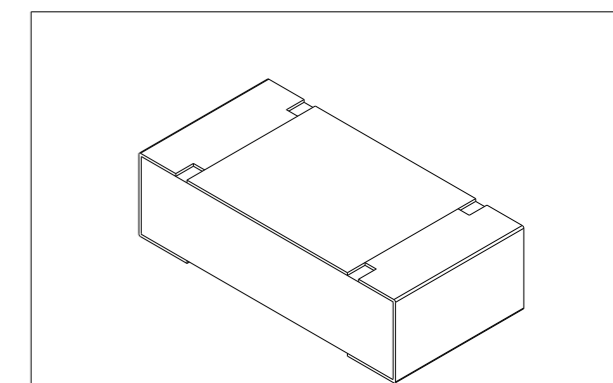
PCB THICKNESS : 1.6mm SINGLE SIDED.
COPPER LAYER THICKNESS : 32-36 μm

TYPE	SIZE (Inch)	A (mm)	B (mm)	C (mm)	D (mm)
CRGSP0603	0603	0.8±0.05	0.80±0.05	0.90±0.05	2.40±0.05

NOTES:

1. FOR FURTHER INFORMATION SEE DATA SHEET FOR CRGSP SERIES THICK FILM ANTI-SULPHUR PULSE CHIP RESISTOR

TYPE	SIZE (Inch)	L (mm)	W (mm)	H (mm)	A (mm)	B (mm)	UNIT WEIGHT (mg)
CRGSP0603	0603	1.6±0.10	0.80±0.10	0.45±0.10	0.30±0.20	0.30±0.20	2.08



SCALE 30:1

RoHS Compliant


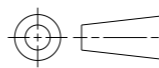
THIS DRAWING IS A CONTROLLED DOCUMENT.		DWN 06FEB2026 CHANDRA K														
DIMENSIONS: mm		CHK 06FEB2026 TRACY G														
TOLERANCES UNLESS OTHERWISE SPECIFIED:		APVD 06FEB2026 TRACY G	NAME THICK FILM ANTI-SULPHUR PULSE CHIP RESISTOR TYPE CRGSP 0603 SERIES													
<table border="0"> <tr><td>0 PLC</td><td>±</td></tr> <tr><td>1 PLC</td><td>±</td></tr> <tr><td>2 PLC</td><td>±</td></tr> <tr><td>3 PLC</td><td>±</td></tr> <tr><td>4 PLC</td><td>±</td></tr> <tr><td>ANGLES</td><td>±</td></tr> </table>		0 PLC	±	1 PLC	±	2 PLC	±	3 PLC	±	4 PLC	±	ANGLES	±	PRODUCT SPEC	-	
0 PLC	±															
1 PLC	±															
2 PLC	±															
3 PLC	±															
4 PLC	±															
ANGLES	±															
MATERIAL		APPLICATION SPEC	-													
-		WEIGHT	-													
-		CUSTOMER DRAWING		RESTRICTED TO												
		SIZE A3	CAGE CODE 00779	DRAWING NO. C=72225												
		SCALE 40:1	SHEET 1 OF 2	REV BA												

REVISIONS

P	LTR	DESCRIPTION	DATE	DWN	APVD
	-	SEE SHEET 1	-	-	-

SCHEDULE

TCPN	CATALOGUE NUMBER	PART DESCRIPTION	PART STATUS
72225-1	CRGSP0603FZR	CRGSP0603 1% ZR	PRODUCTION
72225-2	CRGSP0603F1R0	CRGSP0603 1% 1R0	PRODUCTION
72225-3	CRGSP0603F10R	CRGSP0603 1% 10R	PRODUCTION
72225-4	CRGSP0603F20R	CRGSP0603 1% 20R	PRODUCTION
72225-5	CRGSP0603F49R9	CRGSP0603 1% 49R9	PRODUCTION
72225-6	CRGSP0603F100R	CRGSP0603 1% 100R	PRODUCTION
72225-7	CRGSP0603F1K0	CRGSP0603 1% 1K0	PRODUCTION
72225-8	CRGSP0603F1K5	CRGSP0603 1% 1K5	PRODUCTION
72225-9	CRGSP0603F2K0	CRGSP0603 1% 2K0	PRODUCTION
1-72225-0	CRGSP0603F7K5	CRGSP0603 1% 7K5	PRODUCTION
1-72225-1	CRGSP0603F10K	CRGSP0603 1% 10K	PRODUCTION
1-72225-2	CRGSP0603F20K	CRGSP0603 1% 20K	PRODUCTION
1-72225-3	CRGSP0603F49K9	CRGSP0603 1% 49K9	PRODUCTION
1-72225-4	CRGSP0603F75K	CRGSP0603 1% 75K	PRODUCTION
1-72225-5	CRGSP0603F100K	CRGSP0603 1% 100K	PRODUCTION
1-72225-6	CRGSP0603F150K	CRGSP0603 1% 150K	PRODUCTION
1-72225-7	CRGSP0603F200K	CRGSP0603 1% 200K	PRODUCTION
1-72225-8	CRGSP0603F1M0	CRGSP0603 1% 1M0	PRODUCTION
1-72225-9	CRGSP0603F2M0	CRGSP0603 1% 2M0	PRODUCTION
2-72225-0	CRGSP0603F10M	CRGSP0603 1% 10M	PRODUCTION

THIS DRAWING IS A CONTROLLED DOCUMENT.		DWN CHANDRA K	06FEB2026	 TE Connectivity			
DIMENSIONS: mm		CHK TRACY G	06FEB2026				
TOLERANCES UNLESS OTHERWISE SPECIFIED:		APVD TRACY G	06FEB2026	NAME THICK FILM ANTI-SULPHUR PULSE CHIP RESISTOR TYPE CRGSP 0603 SERIES			
		PRODUCT SPEC	-	RESTRICTED TO			
MATERIAL		APPLICATION SPEC	-	SIZE	CAGE CODE	DRAWING NO	REVISION
FINISH		WEIGHT	-	A3	00779	©=72225	-
-		CUSTOMER DRAWING	SCALE	40:1	SHEET	2 OF 2	REV BA