

Selector switch, illuminable, 22 mm, round, plastic, red, selector switch, short, 2 switch positions O<I, momentary contact type, Actuating angle 45°, 10:30h/12h



| | |
|--------------------------|-----------------------------|
| Product brand name | SIRIUS ACT |
| Product designation | Selector switches |
| Design of the product | Actuating/signaling element |
| Product type designation | 3SU1 |

| Enclosure | |
|--------------------------|---|
| Number of command points | 1 |

| Actuator | |
|---|---|
| Design of the operating mechanism | Selector, short |
| Manner of function of the actuating element | momentary contact, 45° (10:30 h/12 h), return from center to left |
| Product extension optional Light source | Yes |
| Color of the actuating element | red |
| Material of the actuating element | plastic |
| Shape of the actuating element | Handle |
| Outer diameter of the actuating element | 32.3 mm |
| Number of switching positions | 2 |
| Actuating angle | 45° |
| <ul style="list-style-type: none"> clockwise | |

| Front ring |
|------------|
|------------|

| | |
|------------------------------|----------|
| Product component front ring | Yes |
| Design of the front ring | standard |
| Material of the front ring | plastic |
| Color of the front ring | black |

General technical data

| | |
|--|---|
| Protection class IP | IP66, IP67, IP69(IP69K) |
| Degree of protection NEMA rating | NEMA 1, 2, 3, 3R, 4, 4X, 12, 13 |
| Shock resistance | <ul style="list-style-type: none"> acc. to IEC 60068-2-27 for railway applications acc. to DIN EN 61373 |
| Operating frequency maximum | 1 800 1/h |
| Mechanical service life (switching cycles) | <ul style="list-style-type: none"> typical |
| Reference code acc. to DIN EN 81346-2 | S |
| Reference code acc. to DIN EN 61346-2 | S |

Safety related data

| | |
|--|---|
| B10 value | <ul style="list-style-type: none"> with high demand rate acc. to SN 31920 |
| Proportion of dangerous failures | <ul style="list-style-type: none"> with low demand rate acc. to SN 31920 with high demand rate acc. to SN 31920 |
| Failure rate [FIT] | <ul style="list-style-type: none"> with low demand rate acc. to SN 31920 |
| T1 value for proof test interval or service life acc. to IEC 61508 | 20 y |

Ambient conditions

| | |
|---|--|
| Ambient temperature | <ul style="list-style-type: none"> during operation during storage |
| Environmental category during operation acc. to IEC 60721 | 3M6, 3S2, 3B2, 3C3, 3K6 (with relative air humidity of 10 ... 95 %) |

Installation/ mounting/ dimensions

| | |
|---|---------|
| Height | 32.3 mm |
| Width | 32.3 mm |
| Shape of the installation opening | round |
| Mounting diameter | 22.3 mm |
| Positive tolerance of installation diameter | 0.4 mm |
| Mounting height | 28.8 mm |
| Installation width | 32.3 mm |
| Installation depth | 25.4 mm |

Certificates/approvals

| | | |
|--------------------------|---------------------------|-------------------|
| General Product Approval | Declaration of Conformity | Test Certificates |
|--------------------------|---------------------------|-------------------|



[Miscellaneous](#)

[Special Test Certificate](#)

| | |
|-------------------|-------------------|
| Test Certificates | Marine / Shipping |
|-------------------|-------------------|

[Type Test Certificates/Test Report](#)



| | |
|-------------------|-------|
| Marine / Shipping | other |
|-------------------|-------|

[Confirmation](#)



Further information

Information- and Downloadcenter (Catalogs, Brochures,...)

<http://www.siemens.com/industrial-controls/catalogs>

Industry Mall (Online ordering system)

<https://mall.industry.siemens.com/mall/en/en/Catalog/product?mlfb=3SU1002-2BC20-0AA0>

Cax online generator

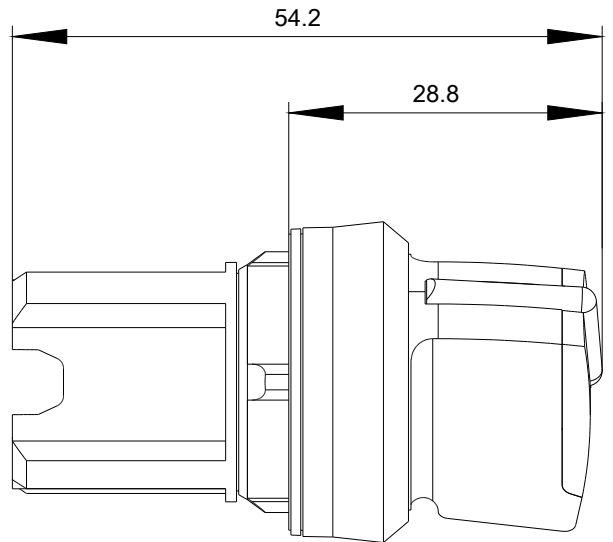
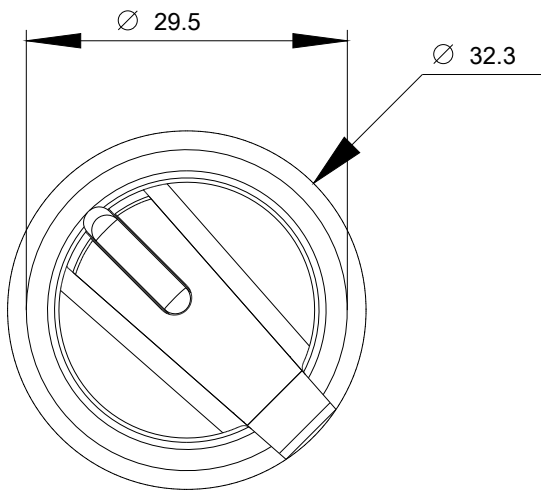
<http://support.automation.siemens.com/WW/CAXorder/default.aspx?lang=en&mlfb=3SU1002-2BC20-0AA0>

Service&Support (Manuals, Certificates, Characteristics, FAQs,...)

<https://support.industry.siemens.com/cs/ww/en/ps/3SU1002-2BC20-0AA0>

Image database (product images, 2D dimension drawings, 3D models, device circuit diagrams, EPLAN macros, ...)

http://www.automation.siemens.com/bilddb/cax_de.aspx?mlfb=3SU1002-2BC20-0AA0&lang=en



last modified:

09/12/2019