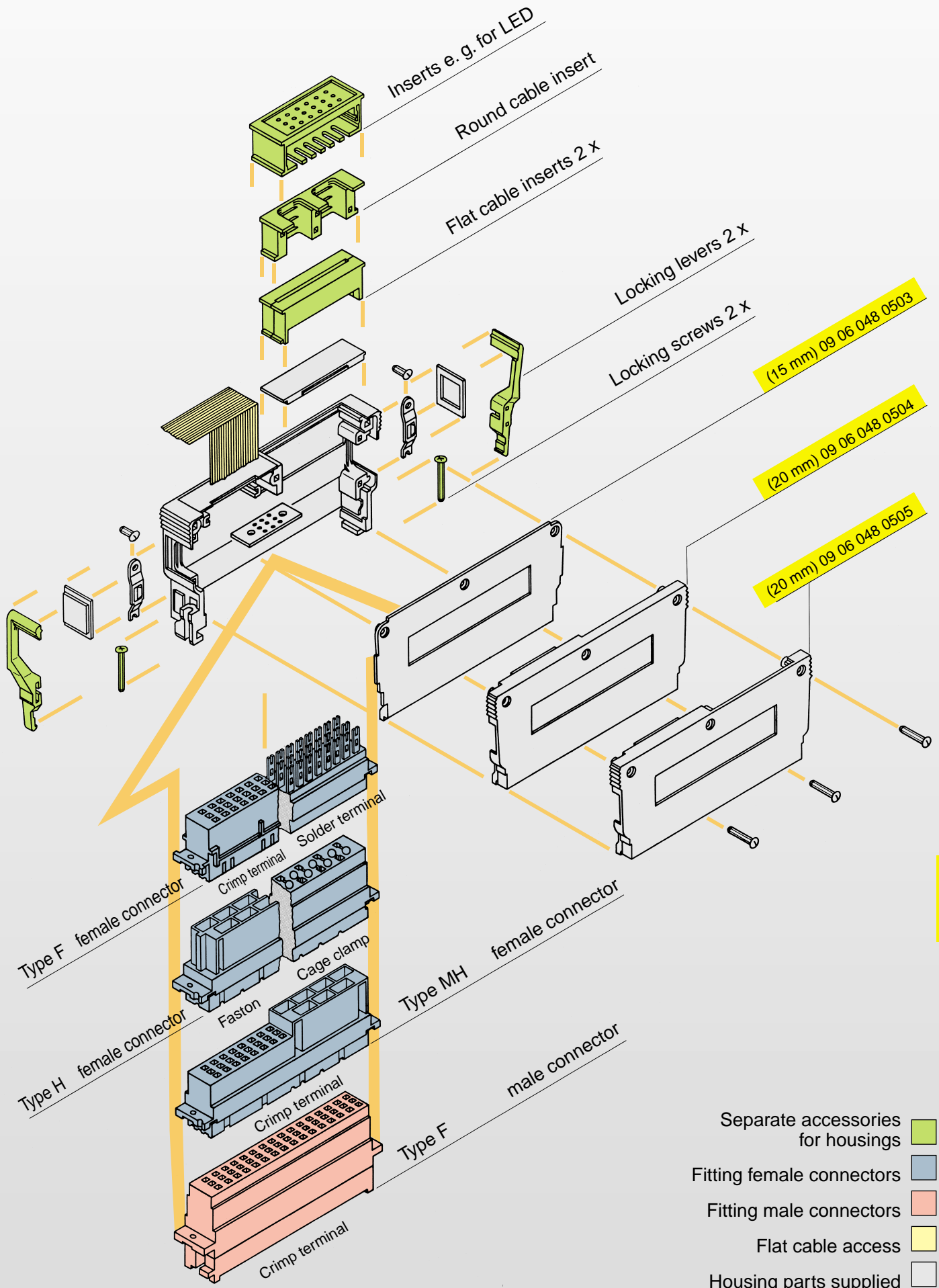


Shell housing B for types F, H and MH



Shell housings

Summary shell housings and accessories

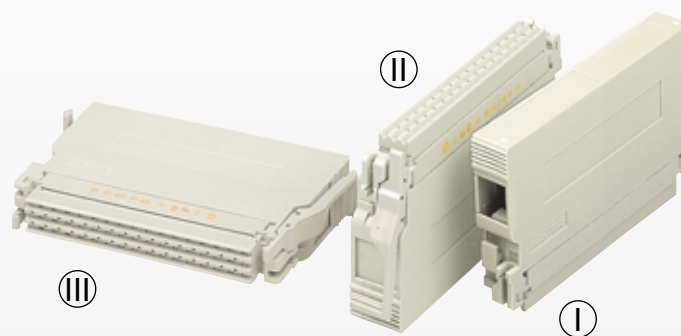


Appropriate connectors in shell housings	Types B, C, D, E	Type F	Types F, H, MH	Types F, H, MH	Types F, H, MH	Types E, F, H, MH	Types F, H, MH
<p>Check list: How to order shell housings and accessories.</p> <p>The Part No. is stated.</p>							
Shell housings	C 09 02 064 0501 09 02 064 0502 09 03 096 0501 09 05 048 0501	A 09 06 048 0501 09 06 048 0401 09 06 048 0402	B 09 06 048 0503 09 06 048 0504 09 06 048 0505	D 15 09 06 048 0515	D 20* 09 06 048 0521	G 09 06 000 9957	O 09 06 000 9968 09 06 000 9930° ° order 2 pieces
Cable insert	09 02 000 9910 09 02 000 9911 09 02 000 9912		09 06 000 9914 09 06 000 9915 09 06 000 9916		09 06 000 9988 09 06 000 9989		
Insert for LED			09 06 000 9917		09 06 000 9986 09 06 000 9987		
<p>Locking lever</p> <p>Order 2 pieces, in some cases each with different Part Nos. for left and right hand</p>	09 02 000 9902 09 02 000 9903	Supplied with the shell housing	09 06 000 9913 09 06 000 9919	Supplied with the shell housing			
<p>Locking screws</p> <p>Order 2 sets</p> <p>for fixing elements with male connectors</p>	09 02 000 9909 ⚙ M 2.5 x 16 ⊕ M 2.5	⚙ M 2.5 x 12 ⊕ M 2.5	09 06 000 9926 ⚙ M 2.5 x 20 ⊕ M 2.5	09 06 000 9926 ⚙ M 2.5 x 20 ⊕ M 2.5	Supplied with the shell housing	Supplied with the shell housing	09 06 000 9926 ⚙ M 2.5 x 20 ⊕ M 2.5
for interface connectors U	09 02 000 9909 ⚙ M 2.5 x 16 ⊕ M 2.5	09 02 000 9909 ⚙ M 2.5 x 16 ⊕ M 2.5	09 06 000 9926 ⚙ M 2.5 x 20 ⊕ M 2.5	—	—	Supplied with the shell housing	—
for interface connectors I	09 02 000 9909 ⚙ M 2.5 x 16 ⊕ M 2.5	⚙ M 2.5 x 22 Supplied with the interface connector I	09 06 000 9955 ⚙ M 2.5 x 26	—	—	Supplied with the shell housing	—
<p>Fixing brackets for 19" racks for male connectors</p>	C 	A 	B 	B 	B 	B 	B
Multiple fixing left	09 02 000 9919	09 06 000 9901	09 06 000 9907	09 06 000 9907	09 06 000 9907 09 06 000 9995 09 06 000 9997	09 06 000 9907	09 06 000 9907
Multiple fixing right	09 02 000 9920	09 06 000 9902	09 06 000 9908	09 06 000 9908	09 06 000 9908 09 06 000 9996	09 06 000 9908	09 06 000 9908
Single fixing left	09 02 000 9921	09 06 000 9905	09 06 000 9909	09 06 000 9909	09 06 000 9909	09 06 000 9909	09 06 000 9909
Single fixing right	09 02 000 9922	09 06 000 9906	09 06 000 9910	09 06 000 9910	09 06 000 9910	09 06 000 9910	09 06 000 9910
<p>for female connectors</p>			B 	B 			B
Multiple fixing left			09 06 000 9933 09 06 000 9933	09 06 000 9933 09 06 000 9933			only ... 9930 09 06 000 9933 09 06 000 9933
Multiple fixing right							
Single fixing left			09 06 000 9951 09 06 000 9952	09 06 000 9951 09 06 000 9952			only ... 9930 09 06 000 9951 09 06 000 9952
Single fixing right							
<p>Fixing brackets for inverse male connectors on pcb</p>	R 						
R 1	09 02 000 9953						
R 32	09 02 000 9954						
<p>Distance fixing brackets for piggyback connectors</p>							
Type D top	09 04 000 9907					09 04 000 9907	
Type E bottom	09 04 000 9906					09 04 000 9906	
Type F top	09 06 000 9936					09 06 000 9936	
Type F bottom	09 06 000 9937					09 06 000 9937	
<p>Protection strip for 20 mm shell housing</p>			09 06 000 9929				
<p>Protection and fixing strip for 20 mm shell housing</p>			09 06 001 9909		09 06 001 9909		

Female connectors Male connectors

* metallised and full metal versions available

Shell housing B for types F, H and MH

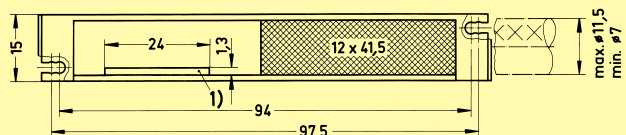


Identification Part No. Drawing Dimensions in mm

Shell housing B

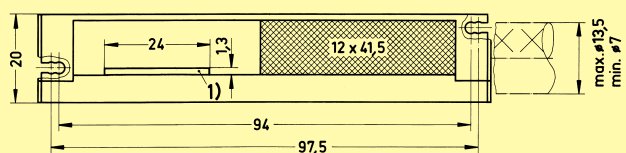
I

15 mm
09 06 048 0503



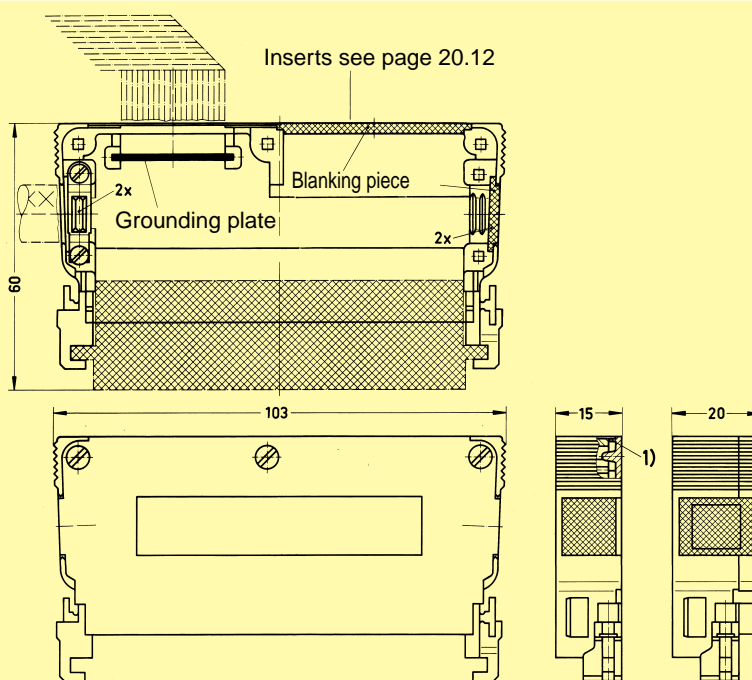
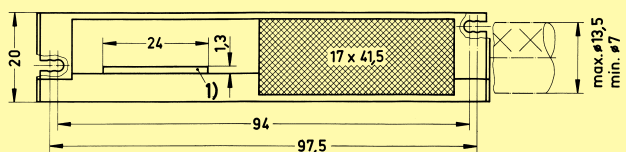
II

20 mm
09 06 048 0504



III

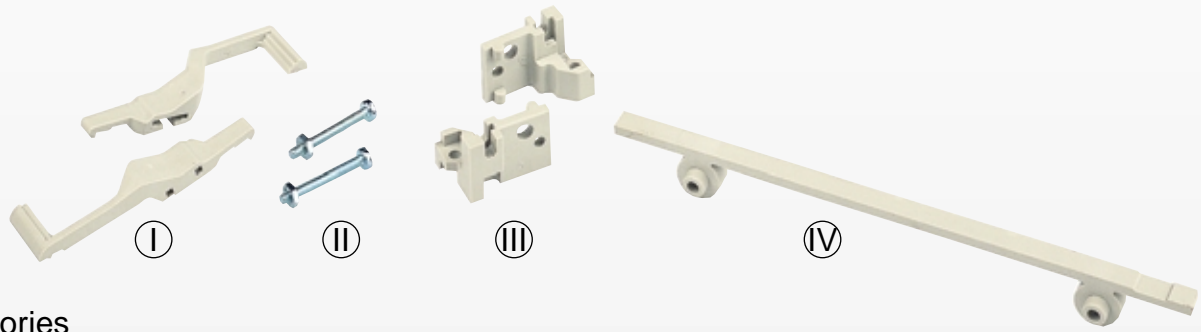
20 mm
09 06 048 0505



1) Possible access for flat cable (18 x ø 1.27). Remove the blanking piece

Shell housings

Shell housing B



Accessories

Identification	Part No.	Drawing	Dimensions in mm
Locking lever for shell housing B 09 06 048 0503 ① 09 06 048 0504 09 06 048 0505 1) Order 2 pieces for one shell housing	09 06 000 9913 ¹⁾ left 09 06 000 9913 right 09 06 000 9919		
Locking screws ② 1) Order 2 pieces for one shell housing	09 06 000 9926 ¹⁾		
Fixing brackets B for male connectors for 19" racks according to DIN 41 494, sheet 5 Multiple fixing	left 09 06 000 9907 right 09 06 000 9908		
Single fixing ③	left 09 06 000 9909 right 09 06 000 9910		
Protection strip ④ Used with shell housings type B for front side access 09 06 048 0504 09 06 048 0505	09 06 000 9929		

Shell housings