



# Power Supply Datasheet

*5V and 10V power supplies  
with 1 outlet and 4 outlet options*



# Specification

	PS-1 5V	PS-4 5V	PS-1 10V	PS-1 10V
<b>Input</b>				
Input Voltage	Typical 90-264 VAC			
Input Frequency	47-63 Hz			
Input Current	Typical 0.15A at 115VAC Typical 0.1A at 230VAC		Typical 0.25A at 115VAC Typical 0.15A at 230 VAC	
Inrush Current	10Arms at 230VAC			
Input Connector	3 pole AC inlet IEC320-C14			
Earth Leakage Current	Less than 0.25mA (Class 1)			
No Load Power	Less than 0.1 at 230VAC			
<b>Output</b>				
Output Connector/Plug	DC Jack 2.5mm Centre Pin 0Vdc    Outer Pin +Vdc			
Line Regulation	Typical 0.1%			
Load Regulation	Typical $\pm 1\%$			
Total Regulation	Typical $\pm 2\%$			
Noise & Ripple	1.0% peak to peak			
Adjustability	Factory Set			
Hold-up Time	Typical 15mS at 115VAC Typical 80mS at 230VAC			
<b>Protection</b>				
Over Voltage	Built-in			
Over Current	Built-in			
Over Load	Typical set at about 125-130% of rating output wattage			
<b>General</b>				
Efficiency	Typical 78-84 at 230VAC			
Switching Frequency	65KHz			
Dielectric Withstand	IEC60950-1			
Circuit Topology	Fixed Frequency Flyback			
Transient Response	Output voltage returns in less than 1mS following a 25% load change			
Power Density	0.397-0.795 Watts. /Cubic inch			
Construction	Desktop Format			
<b>Enviromental</b>				
Operating Temperature	0°C to +40°C			
Storage Temperature	-20°C to +85°C			
Cooling	Free air convection			
<b>Safety/EMC</b>				
Emissions	EN55032 FCC Class B			
Safety Standard	ITE IEC60950-1 Class 1			

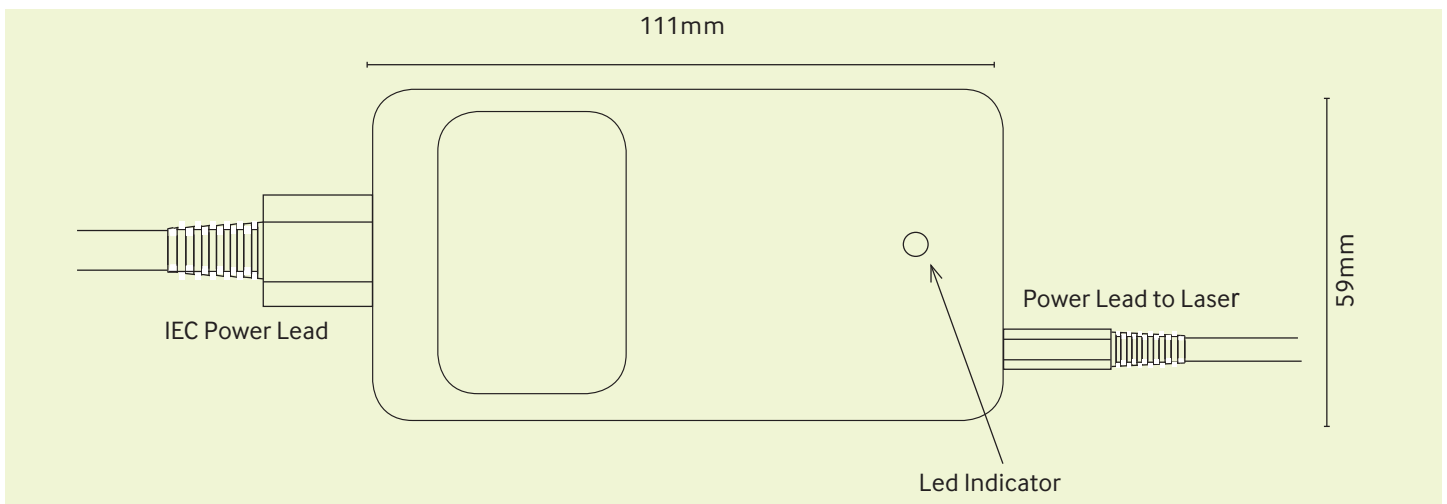
- Notes:**
- (1) All measurements are at nominal input, full load, and +25°C unless otherwise specified.
  - (2) Load regulation is measured at 115VAC or 230VAC in percentage to indicate the change in output voltage as the load varied from half load to full load ( $\pm\%$ ).
  - (3) The exact obtainable load regulation depends upon the output cord selected and load current.
  - (4) Due to requests in market and advances in technology, specifications subject to change without notice.

# Output Voltage & Current Rating Chart

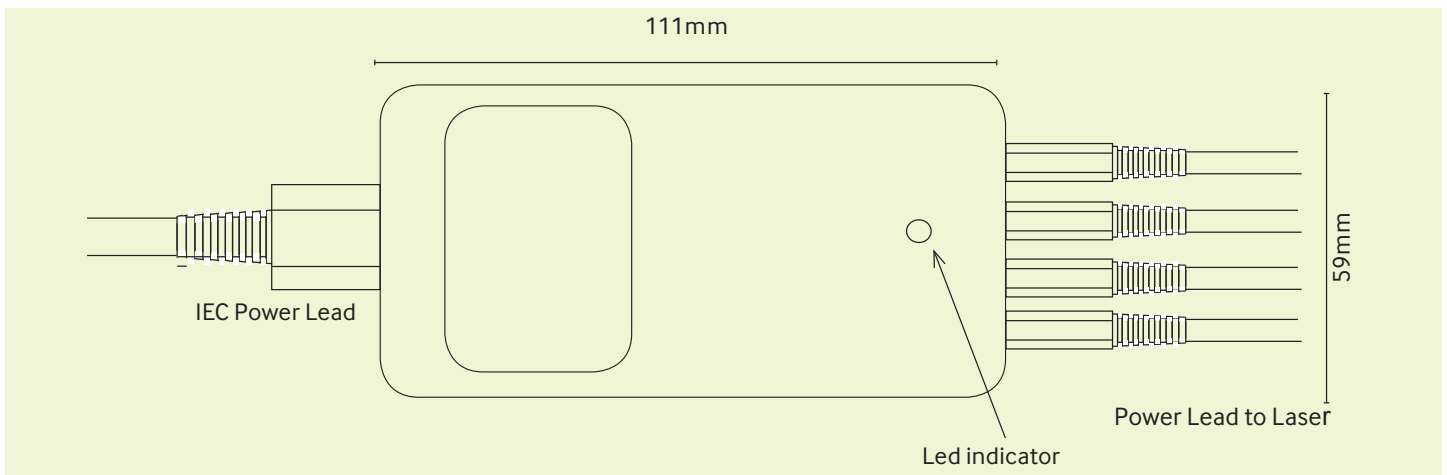
Description	RS Part Number	Global Laser Part Number	AC Input	Output Voltage	Output Current
PS-1 5V	TBC	5026-44-000	IEC320-C14 (DT7)	5.0Vdc	1.00A
PS-4 5V	TBC	5026-41-000	IEC320-C14 (DT7)	5.0Vdc	1.00A
PS-1 10V	TBC	5026-42-000	IEC320-C14 (DT7)	10.0Vdc	1.00A
PS-4 10V	TBC	5026-43-000	IEC320-C14 (DT7)	10.0Vdc	1.00A

## Mechanical Drawings

PS-1 5V & 10V



PS-4 5V & 10V



Please Note: Global Laser reserve the right to change descriptions and specifications without notice.



9090-05-112 Rev 1 07/01/2020

T: +44 (0)1495 212213  
 F: +44 (0)1495 214004  
 E: sales@globalasertech.com  
 www.globalasertech.com

Global Laser Ltd  
 Unit 9-10  
 Roseheyworth Business Park  
 Abertillery, Gwent NP13 1SP UK