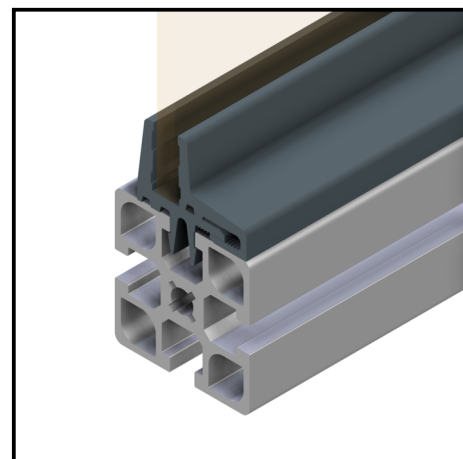
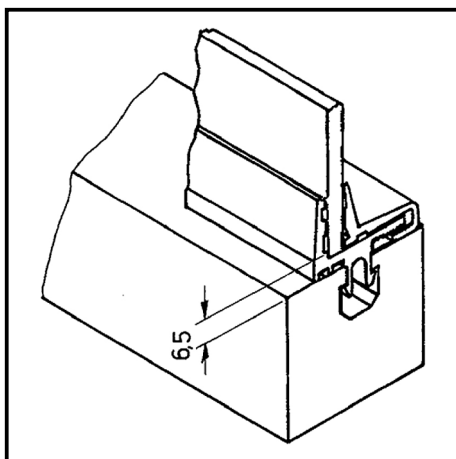
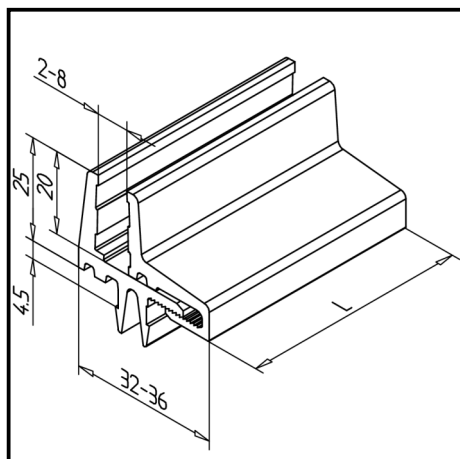


# CLAMP PROFILE PVC BLACK

Article Nr. 22.1080/0

See the product on the website →

Download CAD Files →



## TECHN. DATA / ITEMS SUPPLIED

- PVC, extruded, black
- Also available in grey on request, **Part no.** [22.1092/0](#)
- Weight = 0.550 kg/m

## APPLICATIONS

- Fixation surface elements with a maximum strength of 8 mm
- For surface elements smaller than 4 mm, a moss rubber strip must be inserted
- Windows, doors
- No free space between profile and panel element
- Also suitable for corrugated mesh

## ASSEMBLY

- Snap socket half into profile groove
- Insert the panel element
- Press clamping half firmly on socket half
- To install surface elements less than 4 mm thick, the insertion of an additional sponge rubber strip or similar is recommended, e.g. our flat sponge rubber tape 10x3 mm, self-adhesive **Part no.** [22.1129/0](#)