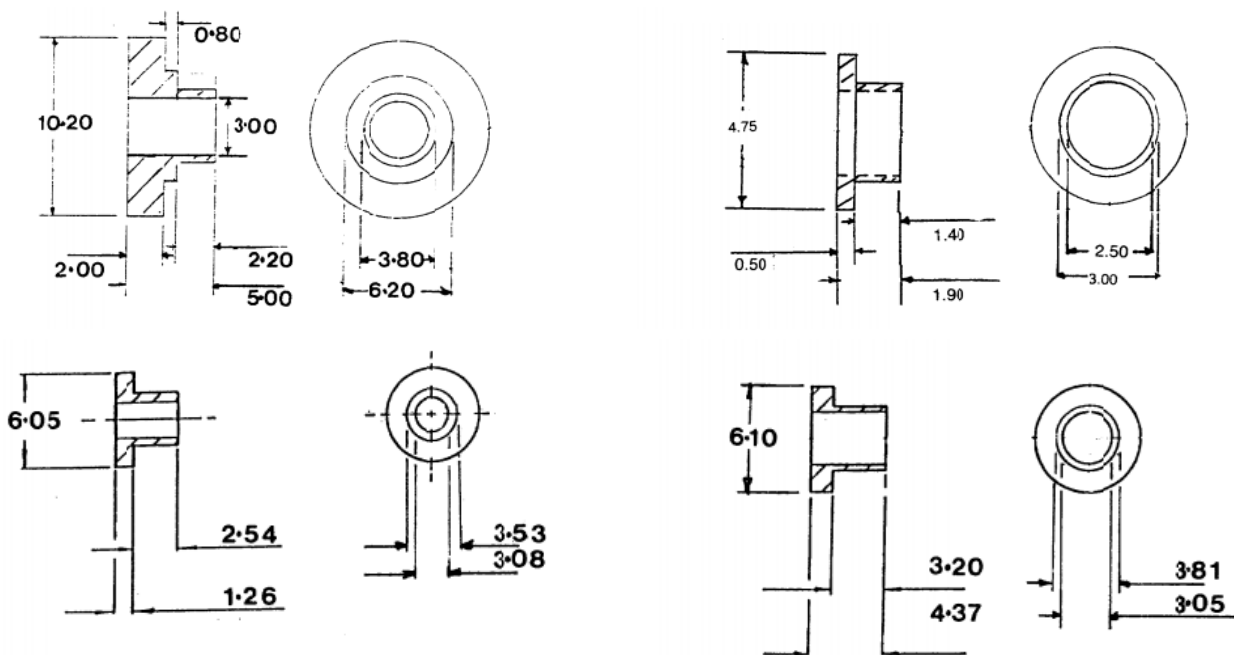


Datasheet

Heatsink Transistor Mount Kit For Use With SO-55, TO-66, TO-3

RS Stock number [298-493](#)



Specifications:

Use With : TO-3, TO-66 Packages
 Package / Case : TO-3 / TO-66
 Type : Fixing Kit

Contents:

- 20 × M3 Screws
- Nuts
- Spring
- Flat Washer
- 10 Solder Tag