

5

4

3

2

1

D

C

B

A



Description: BNC terminator 75 ohm
 Part No: 27-9007
 Application: Terminator
 Crimp Tool: N/A
 Impedance: 75 Ohms
 Frequency Range: 0-1 GHz
 Material: Body Brass Nickel plated
 Contact Brass Gold plated
 Insulator Delrin
 Nut Zinc Nickel plated
 Label Self adhesive PE

RoHS Compliance: Yes
 Technical Detail: Refer to Emerson Document P/N 27-0000

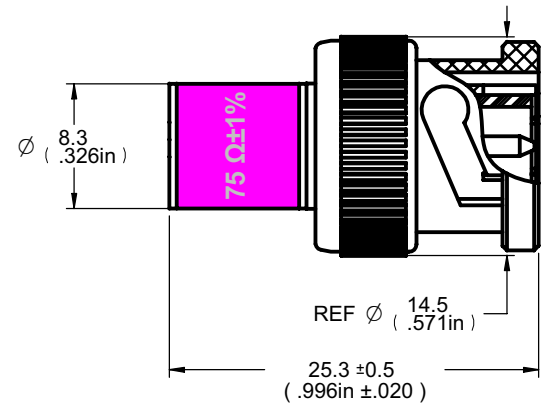
DRAWING NO. 27-9007-CUST	
REVISIONS	
01	OFFICIAL RELEASE
03-11-09	J J T T Thomas Chow

D

C

B

A



DIM OUTLINE

CUSTOMER COPY

受控 CONTROLLED DOCUMENT					
编号 P/N	27-9007-CUST	版本 Rev	01	日期 Rel'd Date	Apr29,09

TOLERANCE UNLESS OTHERWISE SPECIFIED		DRAWN BY JEAN.JIN	DATE 03-11-09
DECIMALS	mm	CHECKED BY TERRY.W	DATE 03-11-09
X	± 0.5	APPROVED BY THOMAS	DATE 03-12-09
X.X	± 0.3		
X.XX	± 0.1		
ANGLES	± 0.5°	U/M	mm

EMERSON Network Power		Connectivity Solutions	
TITLE BNC TERMINATOR 75 OHM			
SHEET 1 OF 1	DRAWING NO. 27-9007-CUST	SIZE A	

THIS DRAWING WAS PRODUCED BY COMPUTER, DO NOT SCALE DRAWING OR UPDATE MANUALLY.

5

4

3

2

1