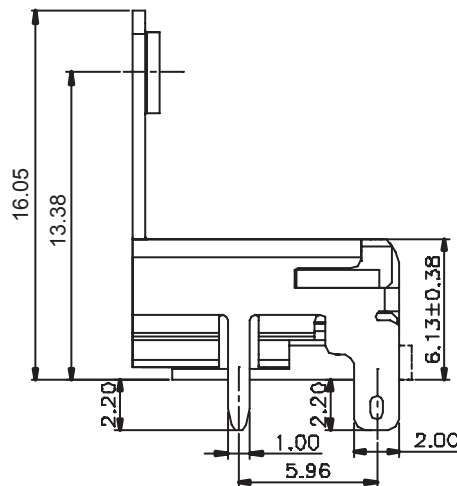
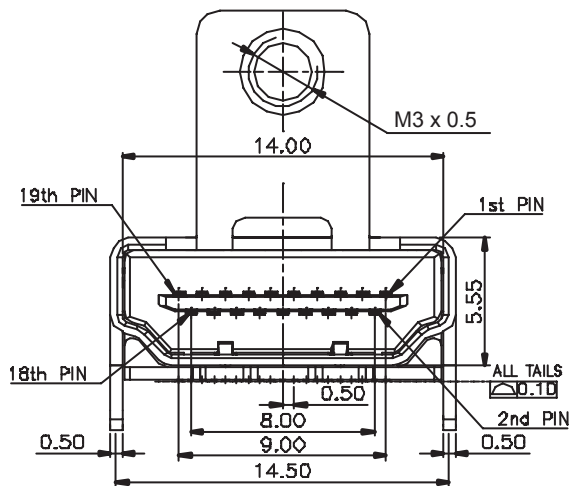


PCB LAYOUT - COMPONENT VIEW



TECHNICAL CHARACTERISTICS

MATERIAL  
 INSULATOR MATERIAL: LCP  
 COLOUR: BLACK  
 CONTACT MATERIAL: PHOSPHORE BRONZE  
 CONTACT TYPE: STAMPED  
 CONTACT PLATING: SELECTIVE GOLD  
 SHIELDING: BRASS TIN PLATED  
 QUALITY CLASS: 1500 MATING CYCLES

ENVIRONMENTAL  
 OPERATING TEMPERATURE: -25 °C UP TO 85 °C  
 FLAMMABILITY RATING UL94-V0  
 COMPLIANCE: LEAD FREE AND ROHS

ELECTRICAL  
 CURRENT RATING: 0.5 A  
 WORKING VOLTAGE: 40 V  
 INSULATION RESISTANCE: >100 mOHM  
 DIELECTRIC WITHSTANDING VOLTAGE: 500 VAC/MN  
 CONTACT RESISTANCE: 30 mOHM MAX

SOLDERING  
 REFLOW PROCESS ONLY

PACKAGING  
 TRAY

RoHS Compliant

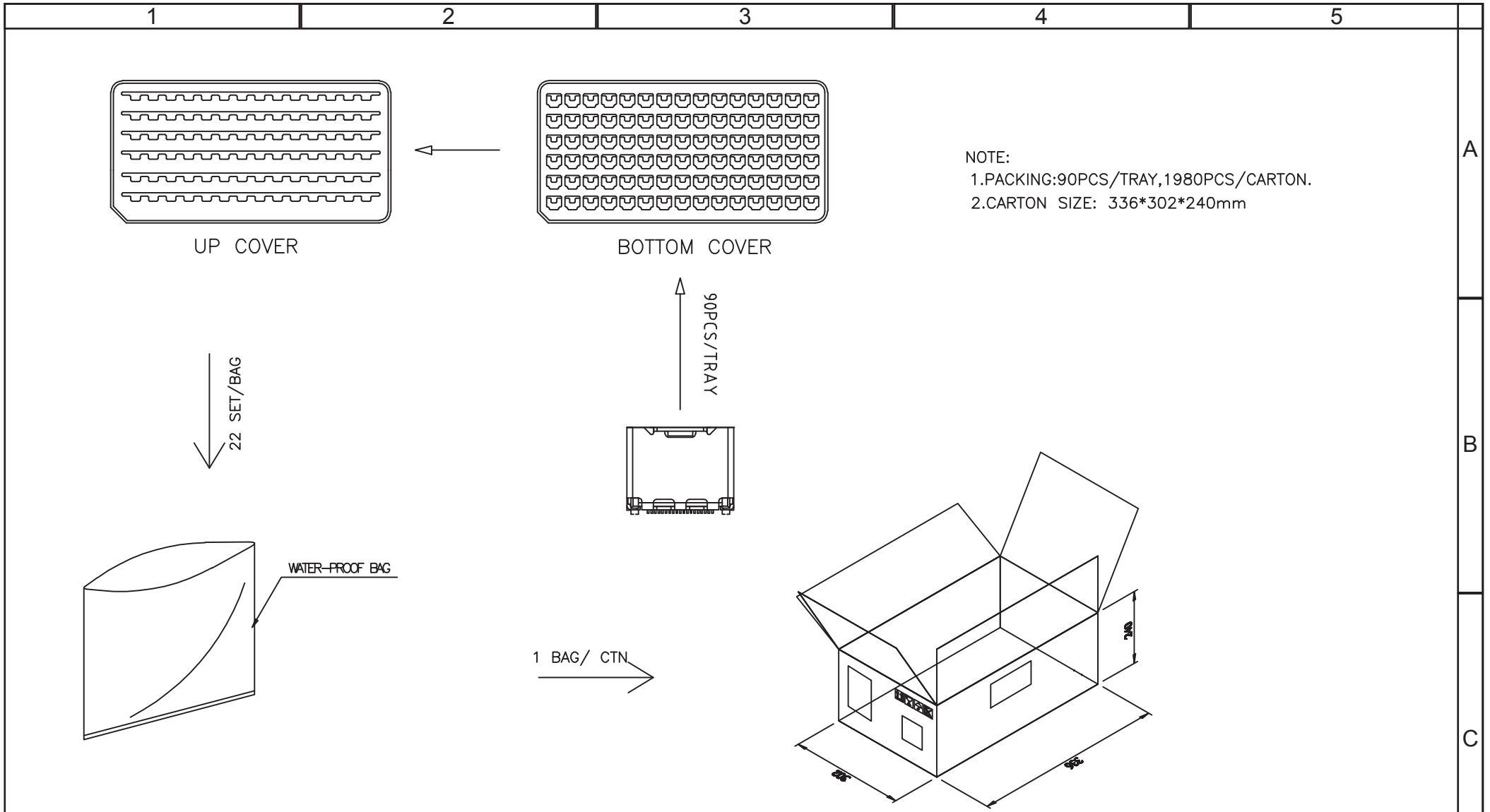
G			
F			
E	09-NOV-11	QUALITY CLASS	GG
D	05-OCT-10	SHIELDING	JC
C	08-JUL-10	PACKAGING	JC
B	05-DEC-07	MODIFICATIONS	EC
A	20-NOV-07	PDF	EC
REV	DATE	FILE	BY

PROJECTION:	
APPROVAL: RJ	

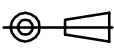

GENERAL TOLERANCE
.X = +/- 0.2
.XX = +/- 0.15
UNIT: MM
SCALE:
SHEET: 1/2
DRAW:

	DESCRIPTION: ANGLED SMT HDMI M3 SCREW
	WERI PART NO: 685119135725

SIZE
<b>A4</b>



NOTE:  
 1. PACKING: 90PCS/TRAY, 1980PCS/CARTON.  
 2. CARTON SIZE: 336\*302\*240mm

RoHS Compliant				PROJECTION: 	GENERAL TOLERANCE .X = $\pm 0.2$ .XX = $\pm 0.15$		DESCRIPTION: ANGLED SMT HDMI M3 SCREW  WERI PART NO: 685119135725	SIZE <b>A4</b>
G								
F								
E								
D				APPROVAL: RJ	UNIT: MM			
C					SCALE:			
B					SHEET: 1/2			
A				DRAW: PEARL				
REV	DATE	FILE	BY					