

# Product datasheet

Specifications



## capacitive sensor - XT1 - cylindrical M30 - brass - Sn 10 mm - 24 V DC

XT130B1PCM12

! Discontinued on: 09 March 2022

! To be end-of-service on: 30 June 2022

! Discontinued

XT130B1PCM12 has not been replaced. Please contact your customer care centre for more information.

### Main

Range of product	Telemecanique Capacitive proximity sensors XT
Sensor type	Capacitive proximity sensor
Product specific application	Detection of insulated or conductive materials
Sensor name	XT1
Sensor design	Cylindrical M30
Size	70 mm
Body type	Fixed
Detector flush mounting acceptance	Flush mountable
Material	Metal
Enclosure material	Nickel plated brass
Type of output signal	Discrete
Wiring technique	4-wire
[Sn] nominal sensing distance	10 mm
Discrete output function	1 NC + 1 NO
Output circuit type	DC
Discrete output type	PNP
Electrical connection	Male connector M12, 4 pins
[Us] rated supply voltage	24 V DC with reverse polarity protection
Maximum delay response	5 ms
IP degree of protection	IP67 conforming to IEC 60529 IP67 conforming to IEC 60947-5-2

### Complementary

ISO thread	M30 x 1.5
Detection face	Frontal
[Sa] assured operating distance	0...7.2 mm
Adjustment zone	2...20 mm
Differential travel	< 0.2 x Sr

<b>Repeat accuracy</b>	< 0.1 x Sr
<b>Status LED</b>	Output state indication: 1 LED (yellow)
<b>Supply voltage limits</b>	12...30 V DC
<b>Maximum residual current</b>	0.1 mA open state
<b>Protection type</b>	Short-circuit protection
<b>Switching frequency</b>	<= 150 Hz
<b>Maximum voltage drop</b>	<2 V (closed)
<b>Current consumption</b>	< 15 mA
<b>Maximum delay first up</b>	30 ms
<b>Maximum delay recovery</b>	5 ms
<b>Maximum switching current</b>	200 mA
<b>Marking</b>	CE
<b>Setting-up</b>	Sensitivity by potentiometer
<b>Threaded length</b>	55 mm
<b>Length</b>	70 mm
<b>Net weight</b>	0.15 kg

## Environment

<b>Standards</b>	EN/IEC 60947-5-2
<b>Product certifications</b>	cETLus
<b>Ambient air temperature for operation</b>	-25...70 °C
<b>Vibration resistance</b>	10 gn amplitude = 1 mm (f = 10...55 Hz) conforming to IEC 60068-2-6
<b>Shock resistance</b>	30 gn for 11 ms conforming to IEC 60068-2-27
<b>Resistance to electrostatic discharge</b>	4 kV contact conforming to IEC 61000-4-2 8 kV air conforming to IEC 61000-4-2
<b>Resistance to electromagnetic fields</b>	3 V/m conforming to IEC 61000-4-3
<b>Resistance to fast transients</b>	2 kV conforming to IEC 61000-4-4

## Packing Units

<b>Unit Type of Package 1</b>	PCE
<b>Number of Units in Package 1</b>	1
<b>Package 1 Weight</b>	154.0 g
<b>Package 1 Height</b>	3.4 cm
<b>Package 1 width</b>	3 cm
<b>Package 1 Length</b>	8.2 cm
<b>Unit Type of Package 2</b>	S02
<b>Number of Units in Package 2</b>	60
<b>Package 2 Weight</b>	9.825 kg
<b>Package 2 Height</b>	15 cm
<b>Package 2 width</b>	30 cm
<b>Package 2 Length</b>	40 cm
<b>Package 3 Height</b>	15 cm

## Offer Sustainability

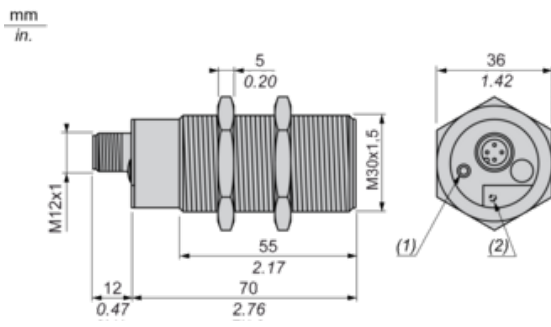
REACH Regulation	<a href="#">REACH Declaration</a>
EU RoHS Directive	Compliant <a href="#">EU RoHS Declaration</a>
Mercury free	Yes
RoHS exemption information	<a href="#">Yes</a>

## Contractual warranty

Warranty	18 months
----------	-----------

**Dimensions**

---



(1) LED

(2) Potentiometer beneath protective flap

**Setting-up**

---

**Minimum Mounting Distances (mm)**

Side by side



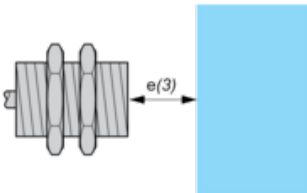
$e(1) \geq 0$

Face to face



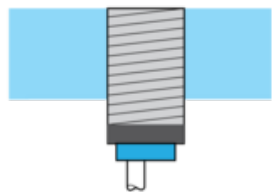
$e(2) \geq 22$

Facing a metal object



$e(3) \geq 20$

Mounted in support

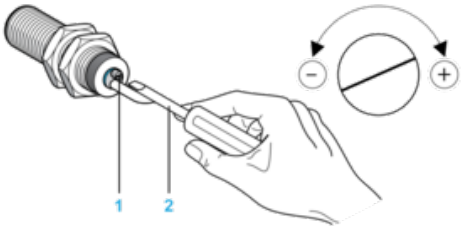


Fixing nut tightening torque: 40 N.m

**Adjustment**

---

**Sensitivity Adjustment**



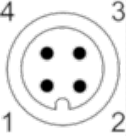
- (1) Adjustment potentiometer
- (2) Screwdriver (included with sensor)

Wiring Diagram

---

Connector

M12 connector



4-wire DC, PNP NO + NC Output, M12

