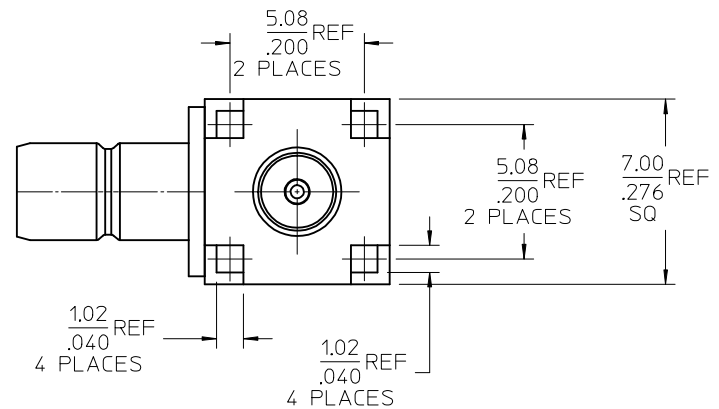
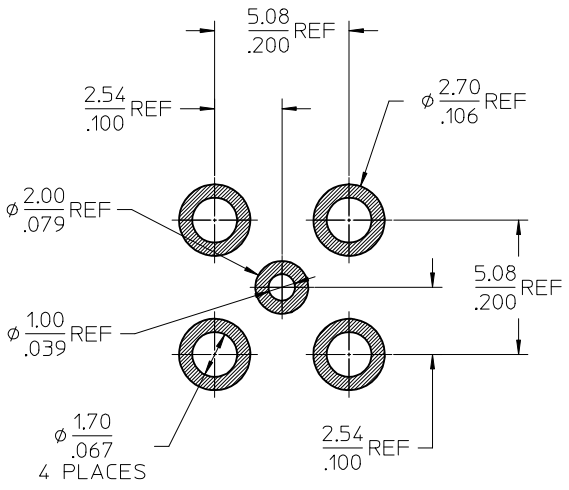
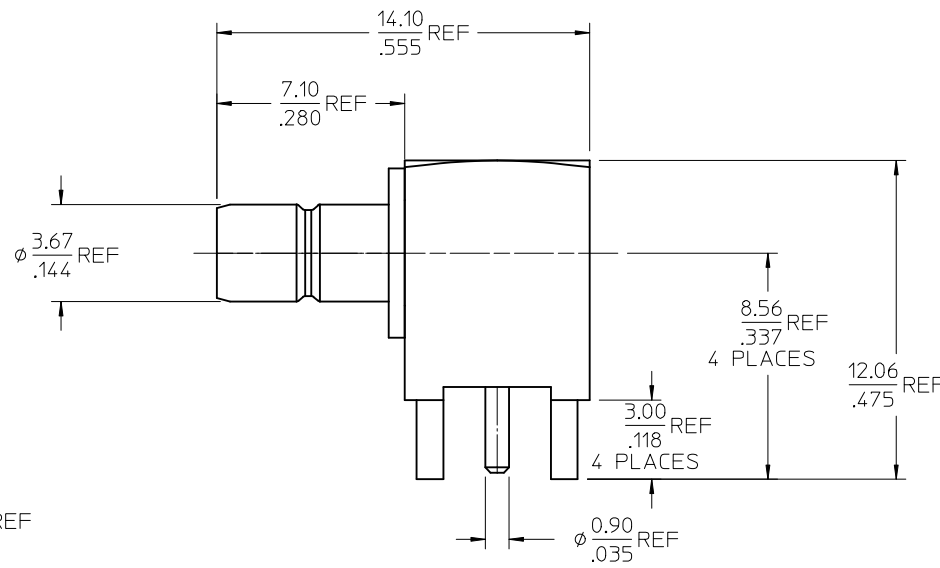
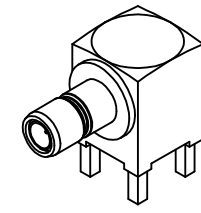


MATERIALS AND FINISHES

BODY, HOUSING BRASS
PLATED GOLD

CENTER CONTACT BRASS
PLATED GOLD

INSULATOR TEFLON



RECOMMENDED PCB HOLE
SOLDER RING

NOTE:

RF LEAKAGE AND VSWR ARE
NOT APPLICATABLE IN
PS-73598-0099

73396-0580	SMALL TRAY PACKING
73404-2280	73100-0103, ONE PER BAG
73100-0103	PLASTIC TRAYS
PART NO.	PACKAGING

PS-73598-0099	PRODUCT SPECIFICATION
SPECIFICATION	DESCRIPTION

ADDED SOLDER RING PER RF15-E270
EC NO: URF2016-0080
CHKD: DRWINELIN 2015/08/05
APPR: YCHENG 2015/08/07
REV: 3

QUALITY SYMBOLS
GENERAL TOLERANCES (UNLESS SPECIFIED)
mm INCH
4 PLACES ± --- ± ---
3 PLACES ± --- ± ---
2 PLACES ± --- ± ---
1 PLACE ± --- ± ---
ANGULAR ± 2°
DRAFT WHERE APPLICABLE MUST REMAIN WITHIN DIMENSIONS

DIMENSION STYLE MM/IN
DRAWN BY IRIS WANG DATE 1993/08/04
CHECKED BY DATE
APPROVED BY DATE
MATERIAL NO. SEE TABLE
SIZE C

SCALE DESIGN UNITS METRIC
THIRD ANGLE PROJECTION
TITLE SMB JACK, R/A, 50 OHMS RECEPTACLE SMB-J/RA
MOLEX INCORPORATED
DOCUMENT NO. SD-73100-0103
SHEET NO. 1 OF 1
THIS DRAWING CONTAINS INFORMATION THAT IS PROPRIETARY TO MOLEX INCORPORATED AND SHOULD NOT BE USED WITHOUT WRITTEN PERMISSION