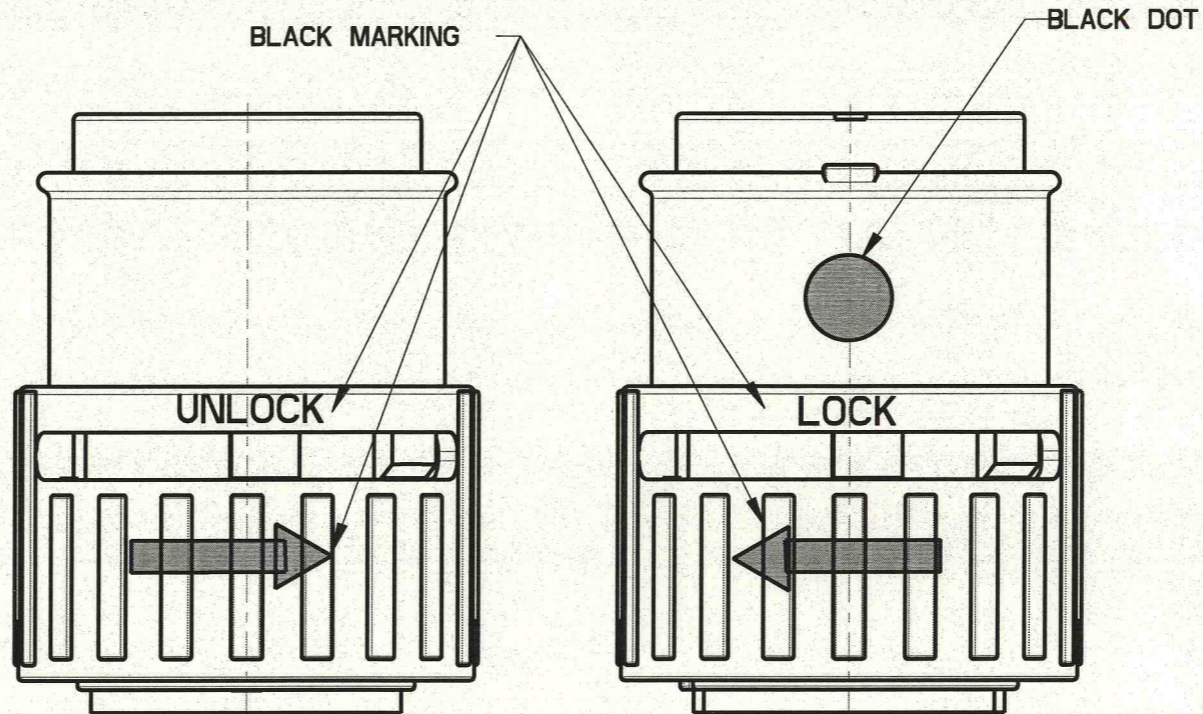
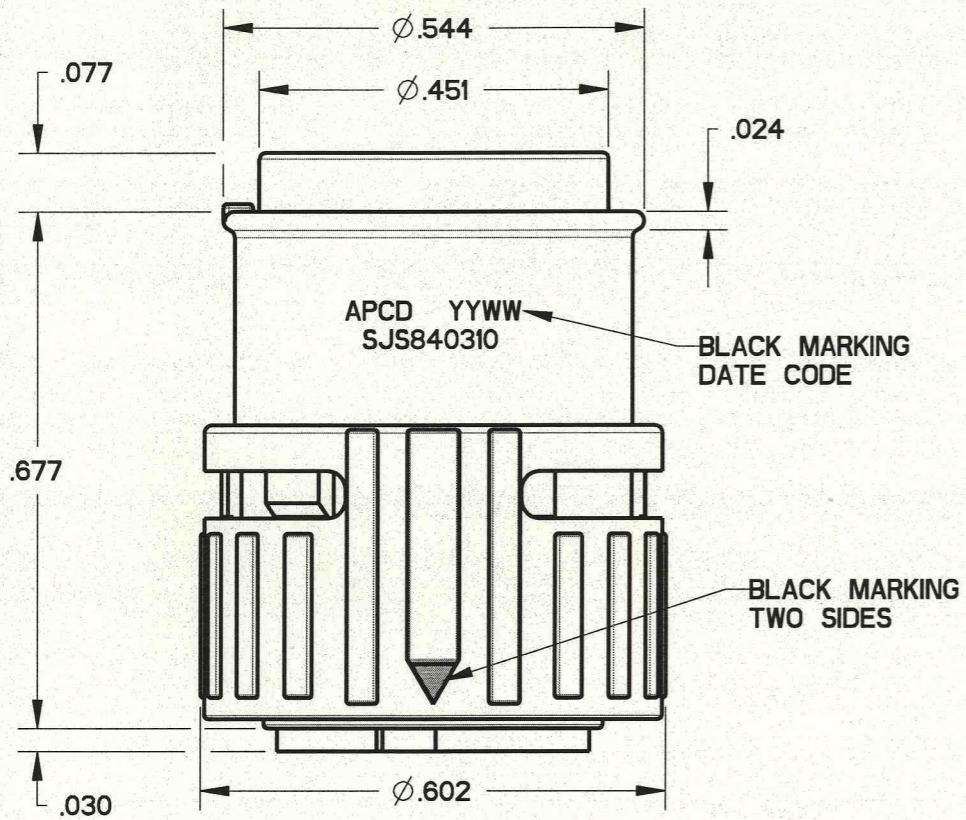
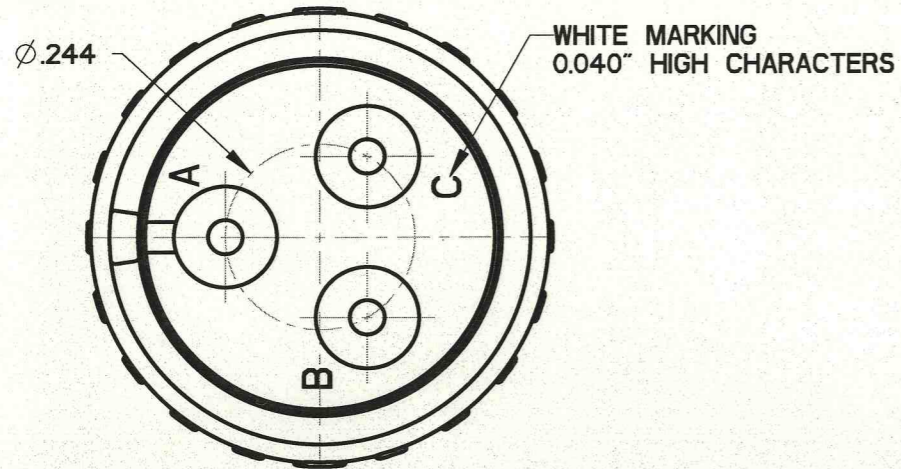
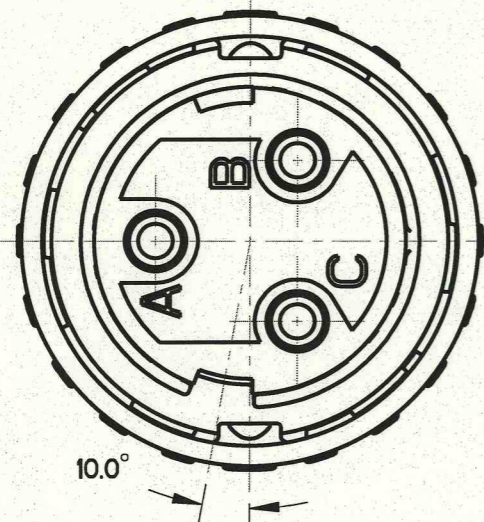


REV	ECN	APP'D
A	6428	JT 10/28/09



SCALE 3:1

- NOTES:
- MATERIALS:
HOUSING: PA6/6
CONTACT RETAINER: STAINLESS STEEL
GROMMET: SILICONE RUBBER PER A-A-59588
 - ACCEPTS M39029/57-358 SOCKET CONTACTS (NOT INCLUDED)
 - WHEN ASSEMBLED, "LOCK" AND ARROW MARKINGS MUST ALIGN WITH BLACK DOT
 - PART MATES WITH SJS840300 OR SJS840320
 - WEIGHT: 2.6 GRAMS



DIMENSIONS ANSI Y14.5M UNITS: INCHES Pro/E FILE	TOLERANCES .XX ±0.01 .XXX ±0.005 ANGLES ±1.0°	PROJECTION 	Amphenol Pcd SPECIFICATION DRAWING		TITLE 3P SZ16 INLINE WHITE PLUG FOR SJS		
			ENGR Frank.Li 02-Mar-09			SIZE B	DWG NO. SJS840310_CE
ORIGINAL 	THIS DOCUMENT CONTAINS PROPRIETARY INFORMATION WHICH IS THE CONFIDENTIAL PROPERTY OF AMPHENOL PCD INC., BEVERLY, MA		CHKD 10/26/09	APPD 10/28/09	CODE: 58982	SCALE: 4:1	SHEET 1 OF 1

SJS840310

SJS840310