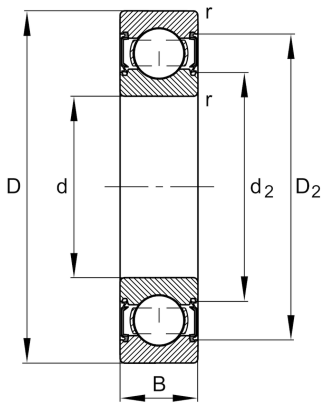


**FAG****629-C-2HRS-C3>V**

Deep groove ball bearing

Schaeffler ID:
0957696330030Deep groove ball bearing 62...-C-2HRS,
single row, Generation C, seals, steel
sheet metal cage

Technical information

**Main Dimensions & Performance Data**

d	9 mm	Bore diameter
D	26 mm	Outside diameter
B	8 mm	Width
C_r	5.300 N	Basic dynamic load rating, radial
C_{0r}	1.970 N	Basic static load rating, radial
C_{ur}	136 N	Fatigue load limit, radial
n_G	28.500 1/min	Limiting speed
	0,019 kg	Weight

Mounting dimensions

$d_{a \min}$	11,4 mm	Minimum diameter shaft shoulder
$D_{a \max}$	23,6 mm	Maximum diameter of housing shoulder
$r_{a \max}$	0,3 mm	Maximum fillet radius

Dimensions

r_{\min}	0,3 mm	Minimum chamfer dimension
D_2	23,1 mm	Caliber diameter outer ring
d_2	13,6 mm	Caliber diameter inner ring

Temperature range

T_{\min}	-20 °C	Operating temperature min.
T_{\max}	100 °C	Operating temperature max.

Calculation factors

f_0	12,4	Calculation factor
-------	------	--------------------

