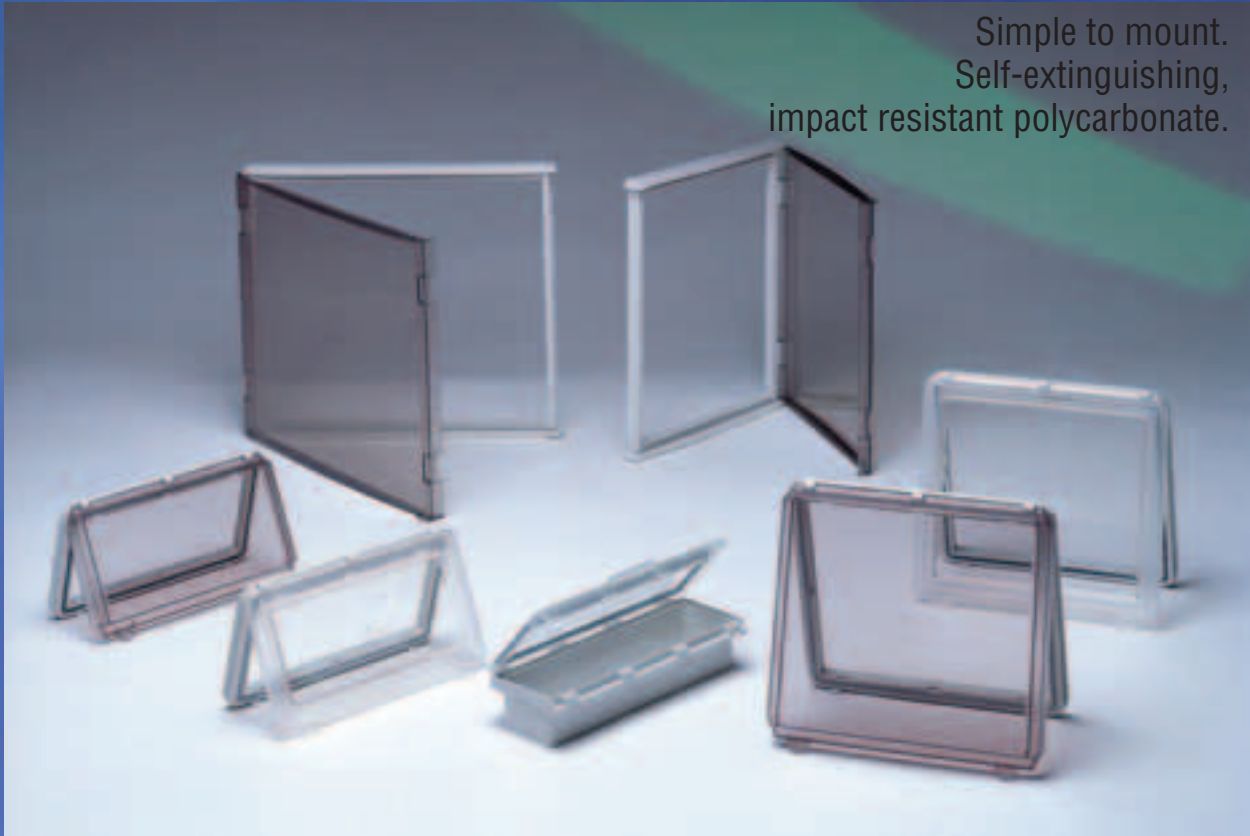


FIBOX

WINDOWS

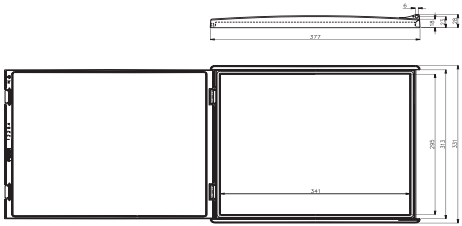
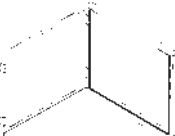
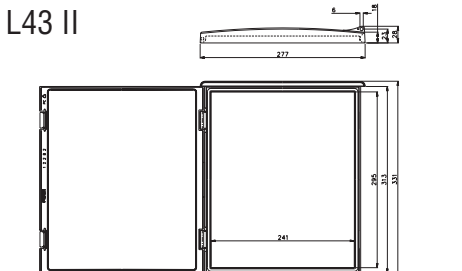
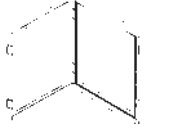
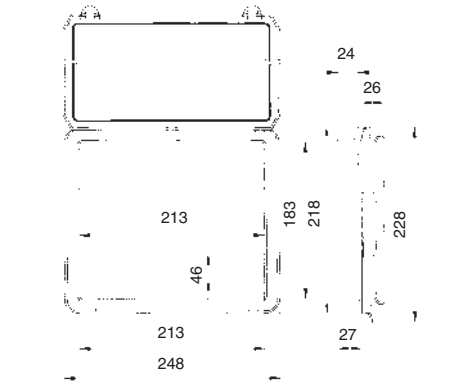
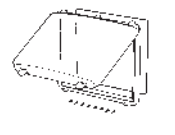
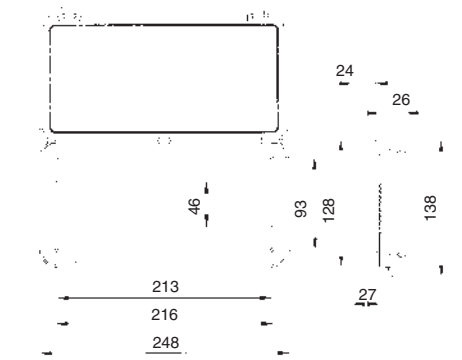
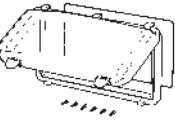

Simple to mount.
Self-extinguishing,
impact resistant polycarbonate.

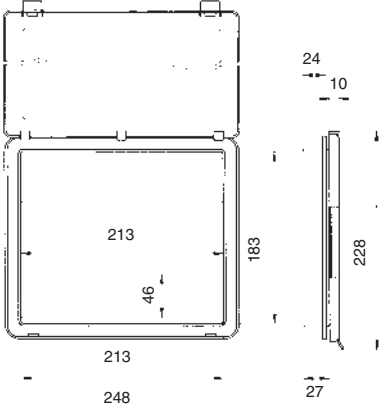
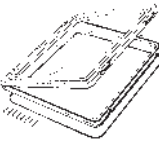
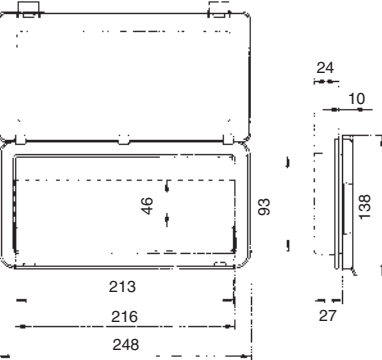

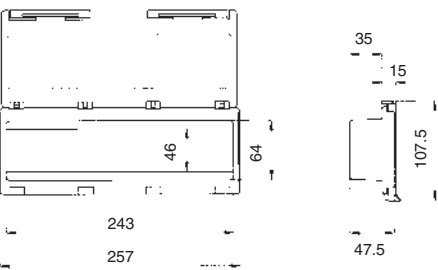
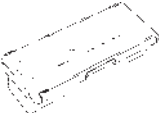
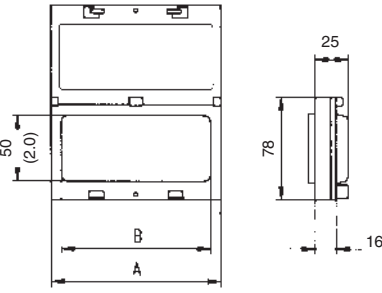
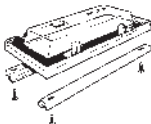


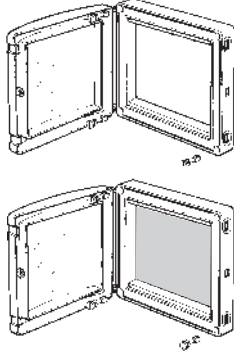
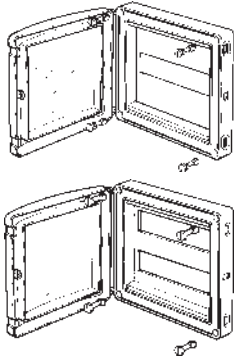
FIBOX SOLID FRAME



FIBOX Inspection Windows permit both viewing and access to IP rating and controls which are surface mounted on plastic or metal enclosures. While providing access, when cover closed, these inspection windows maintain enclosure environmental ratings up to IP 65. Four new second generation windows L12 II, L24 II, L43 II and L44 II, feature transparent smoked grey polycarbonate with textured sides and stylish design.

FIBOX INSPECTION WINDOWS	Remarks	IP	Size mm	ORDER SYMBOL	
<p>L44 II</p> 	<p>For 36 modules (1 module = 17,5 mm)</p>  <p>Smoked transparent cover</p>	65	377 x 331	L44 II	
<p>L43 II</p> 	<p>For 26 modules</p>  <p>Smoked transparent cover</p>	65	331 x 277	L43 II	
<p>L24 II</p> 	<p>For 24 modules</p> <p>High cover</p>  <p>Smoked transparent cover</p>	65	248 x 218	L24 II	
<p>L12 II</p> <p>Pat.Reg. 383990</p> 	<p>For 12 modules</p> <p>High cover</p>  <p>Smoked transparent cover</p>	65	248 x 128	L12 II	
<p>FRONT PLATES FOR WINDOWS L12, L 24, L12 II and L24 II</p> 	<p>12 modules 2 x 12 modules</p>	65		B12 10621-45 B24 10620-45	

FIBOX INSPECTION WINDOWS	Remarks	IP	Size mm	ORDER SYMBOL																																			
<p>L24</p> 	<p>For 24 modules</p> <p>Low clear cover</p> 	65	248 x 218	L24																																			
<p>L12</p> 	<p>For 12 modules</p> <p>Low clear cover</p> 	65	248 x 128	L12																																			
<p>L13</p> 	<p>For 13 modules</p> <p>Clear cover</p> 	65	257 x 108	L13																																			
<p>L02-L10</p>  <table border="1" data-bbox="183 1859 486 2060"> <thead> <tr> <th rowspan="2">TYPE</th> <th colspan="2">A</th> <th colspan="2">B</th> </tr> <tr> <th>mm</th> <th>in.</th> <th>mm</th> <th>in.</th> </tr> </thead> <tbody> <tr> <td>L02</td> <td>59</td> <td>2.3</td> <td>44</td> <td>1.7</td> </tr> <tr> <td>L04</td> <td>94.5</td> <td>3.7</td> <td>78</td> <td>3.1</td> </tr> <tr> <td>L06</td> <td>129.5</td> <td>5.1</td> <td>114</td> <td>4.5</td> </tr> <tr> <td>L08</td> <td>163</td> <td>6.4</td> <td>146</td> <td>5.7</td> </tr> <tr> <td>L10</td> <td>200</td> <td>7.9</td> <td>183</td> <td>7.2</td> </tr> </tbody> </table>	TYPE	A		B		mm	in.	mm	in.	L02	59	2.3	44	1.7	L04	94.5	3.7	78	3.1	L06	129.5	5.1	114	4.5	L08	163	6.4	146	5.7	L10	200	7.9	183	7.2	<p>For 10 modules</p> <p>For 8 modules</p> <p>For 6 modules</p> <p>For 4 modules</p> <p>For 2 modules</p> <p>Clear cover</p> 	54	199 x 77 162 x 77 130 x 77 96 x 77 60 x 77	L10 L08 L06 L04 L02	
TYPE		A		B																																			
	mm	in.	mm	in.																																			
L02	59	2.3	44	1.7																																			
L04	94.5	3.7	78	3.1																																			
L06	129.5	5.1	114	4.5																																			
L08	163	6.4	146	5.7																																			
L10	200	7.9	183	7.2																																			

FIBOX SOLID FRAMES	Remarks	Size mm	ORDER SYMBOL	
	Frame, with opening Smoked transparent cover	280 x 280	Cover 28/28-0	
	Frame, no opening Smoked transparent cover	280 x 280	Cover 28/28-D	
	Frame with one DIN opening Smoked transparent cover	280 x 280 x 54	SF PC2828-SG-12-1	
	Frame with two DIN openings Smoked transparent cover	280 x 280 x 54	SF PC2828-SG-12-2	

Data subject to change without notice.

FEATURES YOU'VE NEVER SEEN BEFORE

Ingress protection: IP 54-IP 65

Temperature range: - 40°C – +120°C

- Chemical resistance to concentrated mineral acids, organic acid, oxidants, deducing agents, neutral /acid salt solutions, grease & oil
- Resistance to U.V. radiation
- Self-extinguishing to UL94
- Non-hygroscopic

Data subject to change without notice.

CUSTOMISATION

Enclosures can be machined, painted, screen printed and preassembled to meet your customisation requirements. Fibox's service centre offers complete CNC machining, hinge mounting, screen printing, assembly and much more. Our wide selection of enclosures and accessories can be customised to create a unique enclosure meeting your application requirements.

