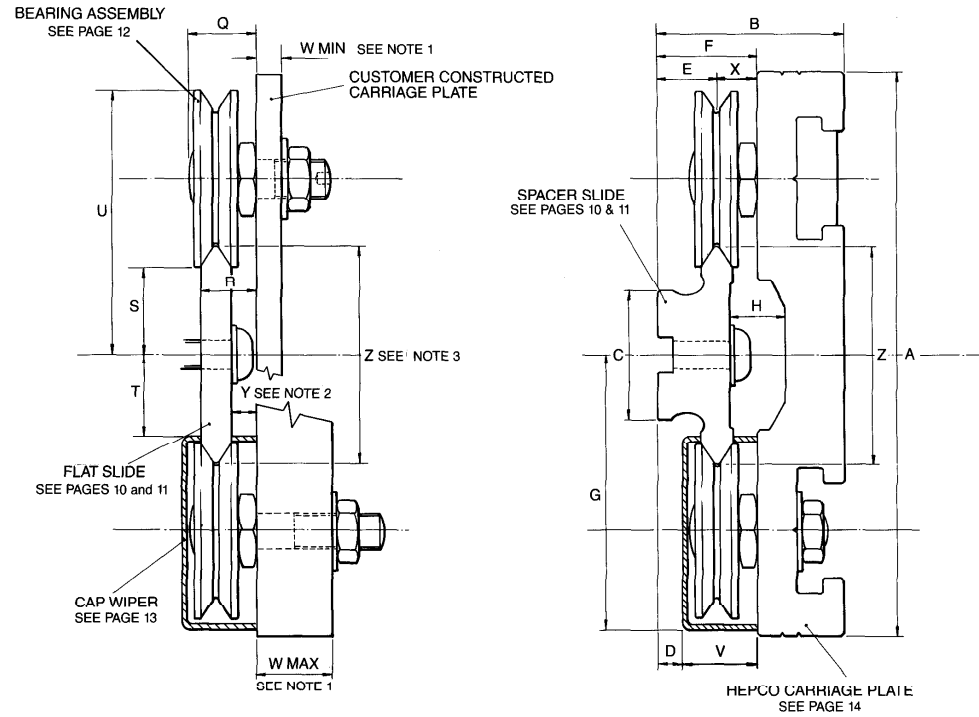


ASSEMBLED SYSTEM



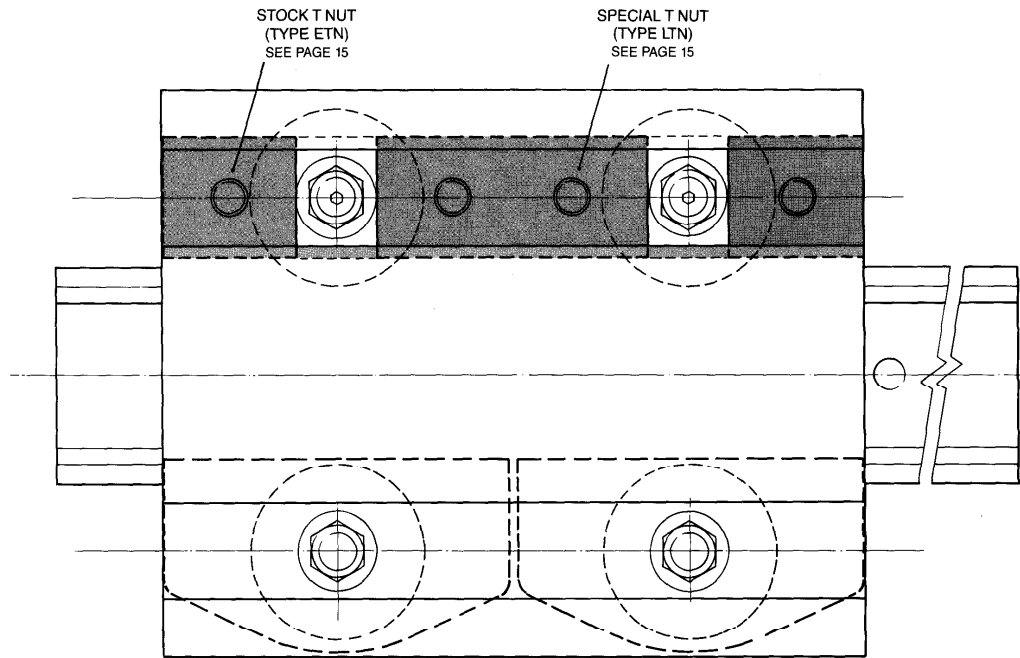
SIZE REF (Z)	± 0.75 A	$+0.25$ -0.16 B	$+0.2$ -0.0 C	D	E	$+0.13$ -0.04 F	G	H	Q	$+0.13$ -0.04 R	S	T	U	V	MAX W	MIN W	X	Y
25	80	32	15.4	4	10.2	17	38.5	7.9	11.3	9.3	10.25	8.5	36.75	13	15	3	6.8	4.3
44	116	39	28.4	5.5	12.7	21	56.75	11.7	14	11.55	16.5	16.25	54.5	15.5	20	4	8.3	5.0
76	190	59	50.4	9	19.7	34	93.5	20	22.8	19.05	33	30.50	91	25	25	6	14.3	9.5

ALL DIMENSIONS IN MM

NOTES:

- Two lengths of stud are available for each size bearing assembly (ref. page 12), choose according to your carriage plate thickness requirement.
- Customers constructing their own flat carriage plate should note that screw clearance dimension 'Y' has been designed to accommodate socket button head screws to ISO 7380.
- 'Z' is a reference dimension and relates to nominal slide width. Please note that V profile and slide widths are identical for both spacer slides and flat slides.

ASSEMBLED SYSTEM



ORDERING DETAILS FOR ASSEMBLED SYSTEMS

Simply list the individual component parts required and bracket those you wish to be supplied factory assembled.

EXAMPLE:

ASSEMBLED	{	1 x NC 25-B986-C43-D43 _____	SLIDE
		2 x SJ 265 C _____	BEARING ASSEMBLY
		2 x GJ 265 E _____	BEARING ASSEMBLY
		4 x CW 265 _____	CAP WIPER
		1 x CP 265-A140-B84-C28-D28-X _____	CARRIAGE PLATE
		2 x LTN 265-A10M6-B60M6-L70 _____	LONG T NUT