



Brand of NTN Group

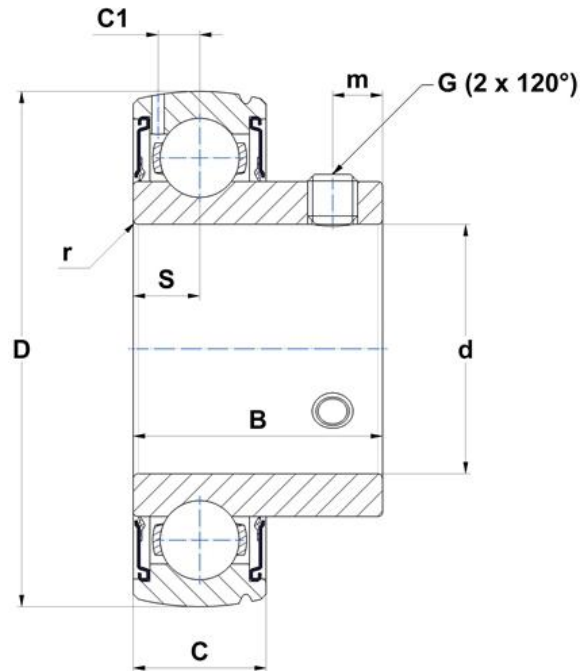
Technical data

US208G1N

Insert bearings



VISUAL (S)



PRODUCT DEFINITION

| | |
|---|--------|
| Brand | SNR |
| B - Width of Inner Ring | 34 mm |
| C - Width of Outer Ring | 18 mm |
| C1 - Distance center of OR to center of lubrication zone | 6,2 mm |
| d - Shaft diameter | 40 mm |
| D - Outer diameter of OR | 80 mm |
| G - Set screw size | M8x1 |
| m - Distance to set screw | 7 mm |
| r - Radius Inner Ring | 1.1 |



NTN Europe

1 rue des Usines · BP 2017 · 74010 Annecy Cedex · France · Tel. +33 (0)4 50 65 30 00
 S.A. au capital de 322 639 919 € · RCS ANNECY B 325 821 072 · Id. Fiscale : FR 48 325 821 072
 SIRET 325 821 072 00015 · Code APE 2815 Z · Code NACE 28.15

PRODUCT DEFINITION

| | |
|---|------|
| S - Distance front side/bearing centre | 9 mm |
| f0 - Factor | 14 |
| SW - Wrench size | 4 mm |

PRODUCT PERFORMANCE

| | |
|-----------------------------------|-------------|
| C - Dynamic load rating | 29600000 mN |
| C0 - Static load rating | 18200000 mN |
| Operating temperature min. | 253,15 °K |
| Operating temperature max. | 373,15 °K |

OTHER FEATURES

| | |
|--|----------|
| Mass | 0,6 kg |
| Recommended tightening torque for set screw | 11.5 N-m |

BEARING FREQUENCIES

| | |
|---|----------------------|
| BPFO - Over rolling frequency on outer ring (60 rpm) | 3.607035 Hz |
| BPFI - Over rolling frequency on inner (60 rpm) | 5.392965 Hz |
| BSF - Over rolling frequency on rolling element (60 rpm) | 4.84095457487135 Hz |
| BRF - Rotational frequency - rolling element (60 rpm) | 2.42047728743567 Hz |
| FTF - Rotational frequency - cage (60 rpm) | 0.400781666666667 Hz |

