

THIS DRAWING IS UNPUBLISHED.

RELEASED FOR PUBLICATION

20

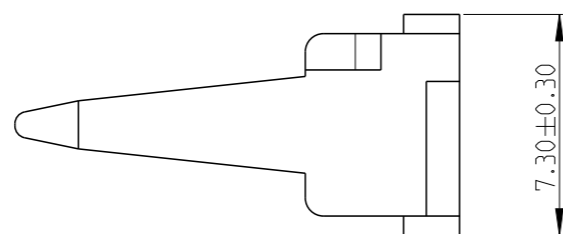
© COPYRIGHT 2020

TE Connectivity. All Rights Reserved.

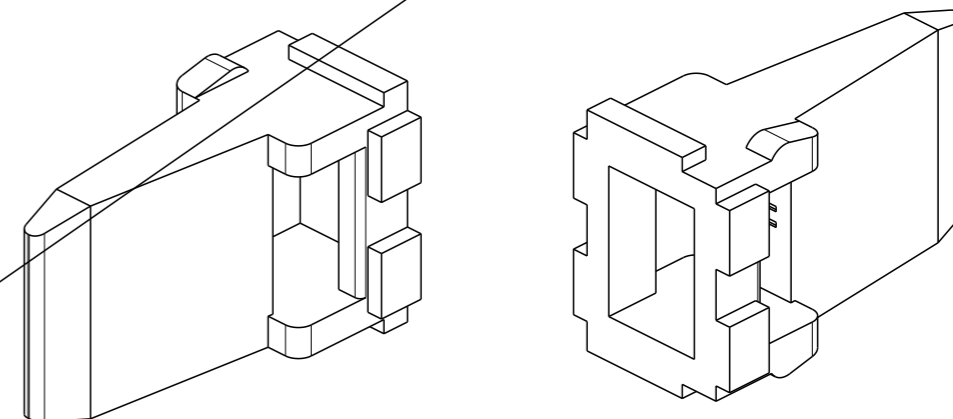
ALL RIGHTS RESERVED.

REVISIONS

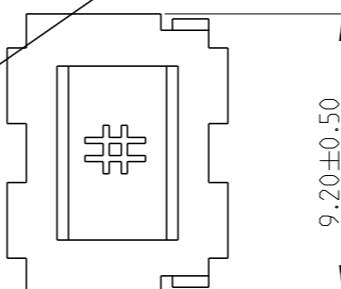
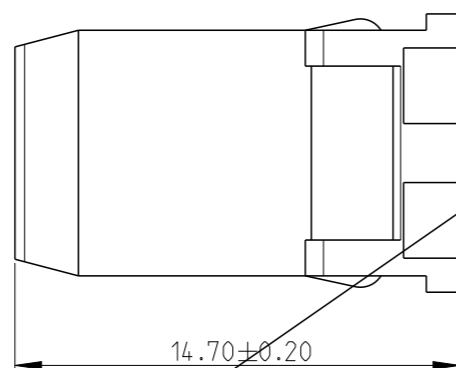
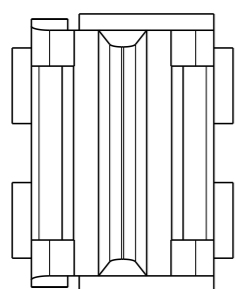
P	LTR	DESCRIPTION	DATE	DWN	APVD
	A	INITIAL RELEASE	19JUN2020	J.G	I.Y
	A1	ECR-20-010349	26JUL2020	J.G	I.Y
	A2	ECN-22-139062	15FEB2022	J.G	Z.Z



PN 2600032-1
NO KEY
COLOUR GREEN



OBSOLETE



1. MATERIAL: NYLON GF30, DESCRIPTION AND COLOUR SEE TABLE
2. THIS PRODUCT IS USED FOR 4CCT RECEPTACLE, PN X-2600030-X

2600032-5	934473047	4CCT RECEPTACLE WEDGELOCK KEY D	BROWN
2600032-4	934473033	4CCT RECEPTACLE WEDGELOCK KEY C	GREEN
2600032-3	934473021	4CCT RECEPTACLE WEDGELOCK KEY B	BLACK
2600032-2	934473012	4CCT RECEPTACLE WEDGELOCK KEY A	GREY
2600032-1	934473003	4CCT RECEPTACLE WEDGELOCK NO KEY	GREEN
TE PN	ALIAS PN	DESCRIPTION	COLOUR

THIS DRAWING IS A CONTROLLED DOCUMENT.

DWN J.GU 26JUL2020

CHK E. JIANG 26JUL2020

APVD I.YIN 26JUL2020

PRODUCT SPEC

108-160026

APPLICATION SPEC

114-160017

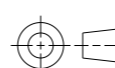
WEIGHT -

NAME 4CCT DT-XT RECEPTACLE WEDGELOCK

SIZE	CAGE CODE	DRAWING NO	RESTRICTED TO
A3	00779	©=2600032	-

CUSTOMER DRAWING; RESTRICTED CUSTOMER	SCALE 4:1	SHEET 1 OF 2	REV A2
---------------------------------------	-----------	--------------	--------

DIMENSIONS: mm

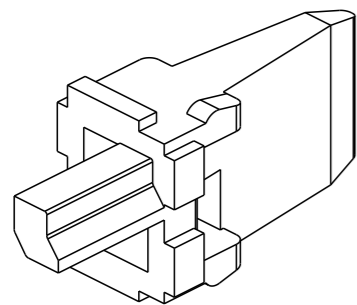


TOLERANCES UNLESS OTHERWISE SPECIFIED:

0 PLC	±
1 PLC	±
2 PLC	±
3 PLC	±
4 PLC	±
ANGLES	±

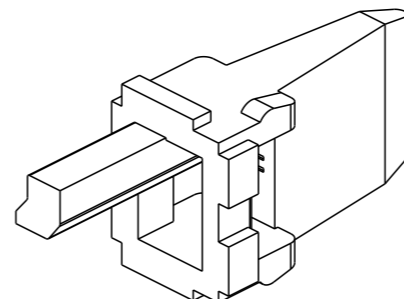
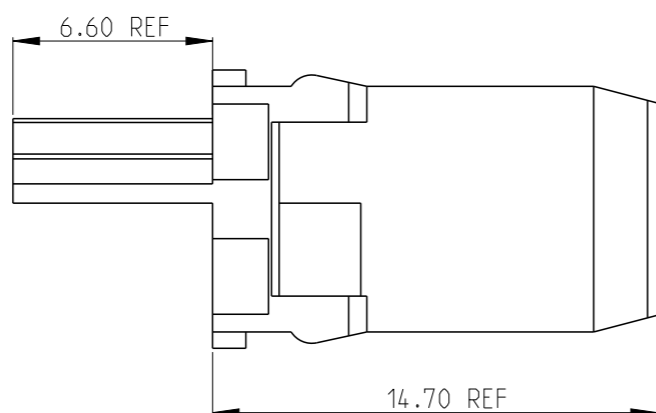
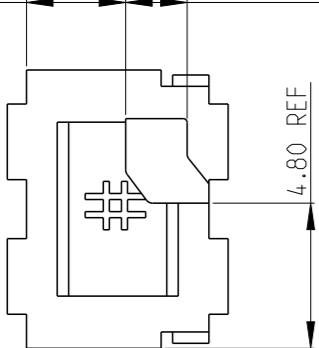
MATERIAL NOTE 1 FINISH -

P	LTR	DESCRIPTION	DATE	DWN	APVD
		SEE SHEET 1			



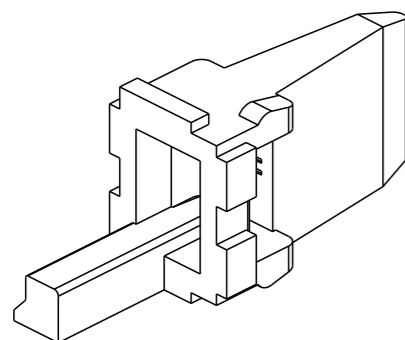
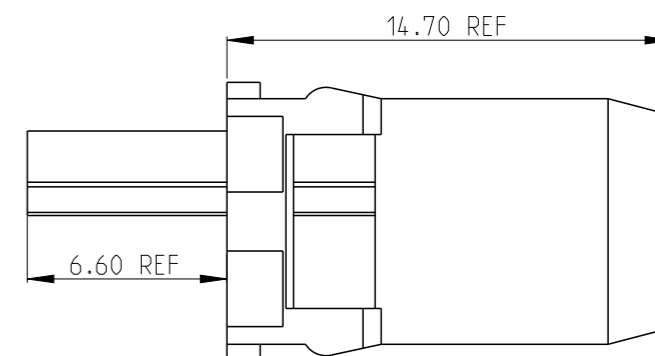
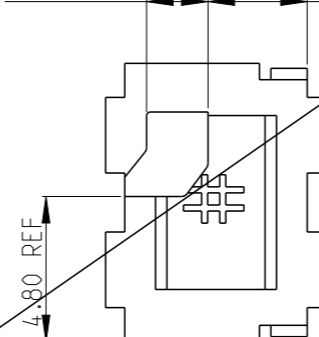
PN 2600032-2
KEY A
COLOUR GREY

3.28 REF 2.03 REF

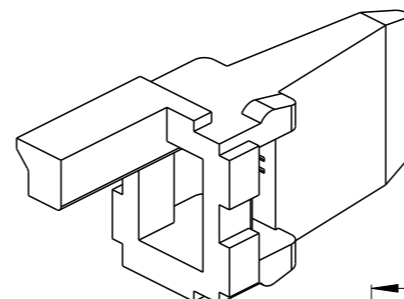
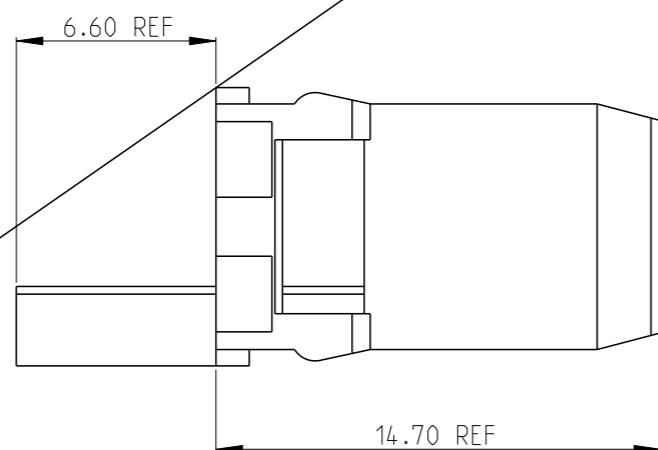
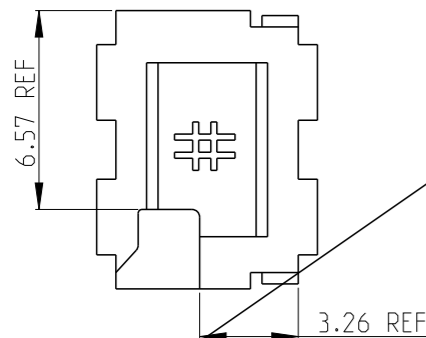


PN 2600032-3
KEY B
COLOUR BLACK

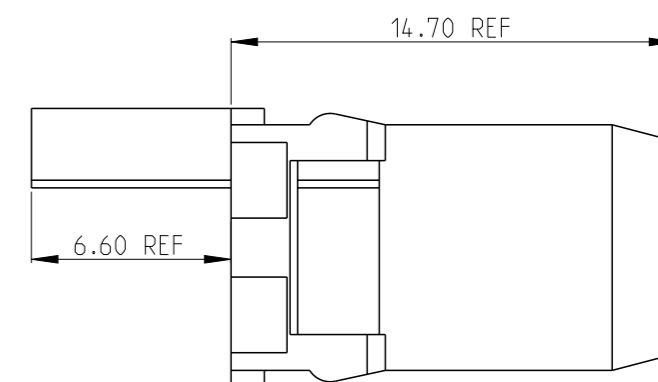
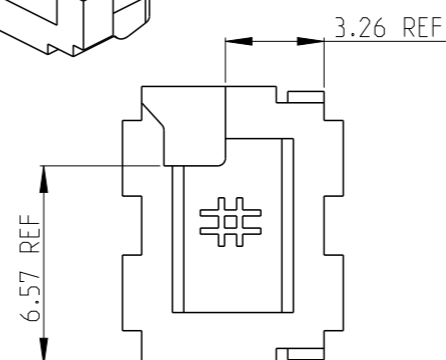
2.03 REF 3.28 REF



PN 2600032-4
KEY C
COLOUR GREEN



PN 2600032-5
KEY D
COLOUR BROWN



OBSOLETE

THIS DRAWING IS A CONTROLLED DOCUMENT.

DWN	J.GU	26JUL2020
CHK	E. JIANG	26JUL2020
APVD	L.YIN	26JUL2020



DIMENSIONS: mm	TOLERANCES UNLESS OTHERWISE SPECIFIED:
	0 PLC ±
	1 PLC ±
	2 PLC ±
	3 PLC ±
	4 PLC ±
	ANGLES ±
MATERIAL	FINISH
-	-

PRODUCT SPEC	108-160026
APPLICATION SPEC	114-160017
WEIGHT	-

NAME 4CCT DT-XT RECEPTACLE WEDGELOCK			
SIZE	CAGE CODE	DRAWING NO	RESTRICTED TO
A3	00779	C=2600032	-
CUSTOMER DRAWING;RESTRICTED CUSTOMER		SCALE	SHEET
		4:1	2 OF 2
			REV A2