

| LOC | | DIST | | REVISIONS | | | |
|-----|----|------|---------|-----------|------|------|----|
| AD | OO | REV | DATE | BY | APPV | DATE | BY |
| A | | | 16MAY07 | MB | MS | | |

SPECIFICATIONS

MATERIALS:
 CASE, PPS UL94V-0, BLACK
 COVER, PBT UL94V-0, BLACK
 ACTUATOR, 46 NYLON UL94V-0, WHITE
 TERMINAL/FIXED CONTACT- COPPER ALLOY- GOLD OVER NICKEL PLATE
 MOVING CONTACT- COPPER ALLOY- GOLD FLASH OVER NICKEL PLATE

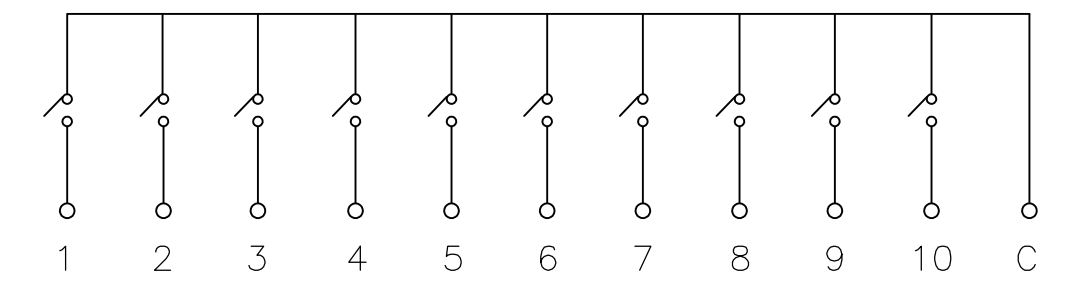
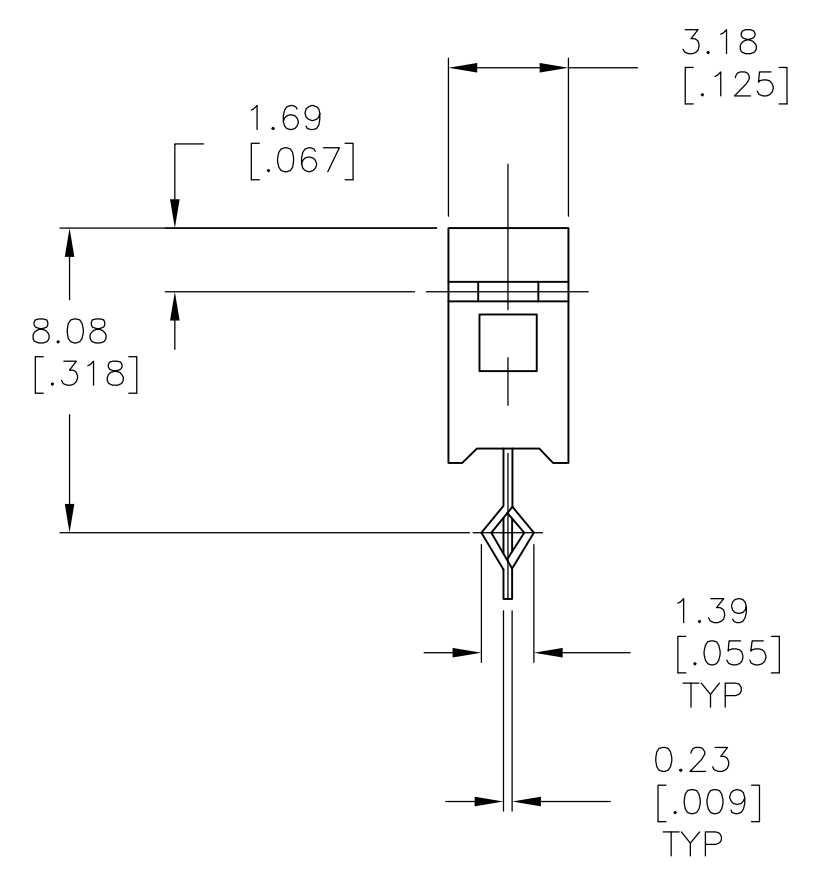
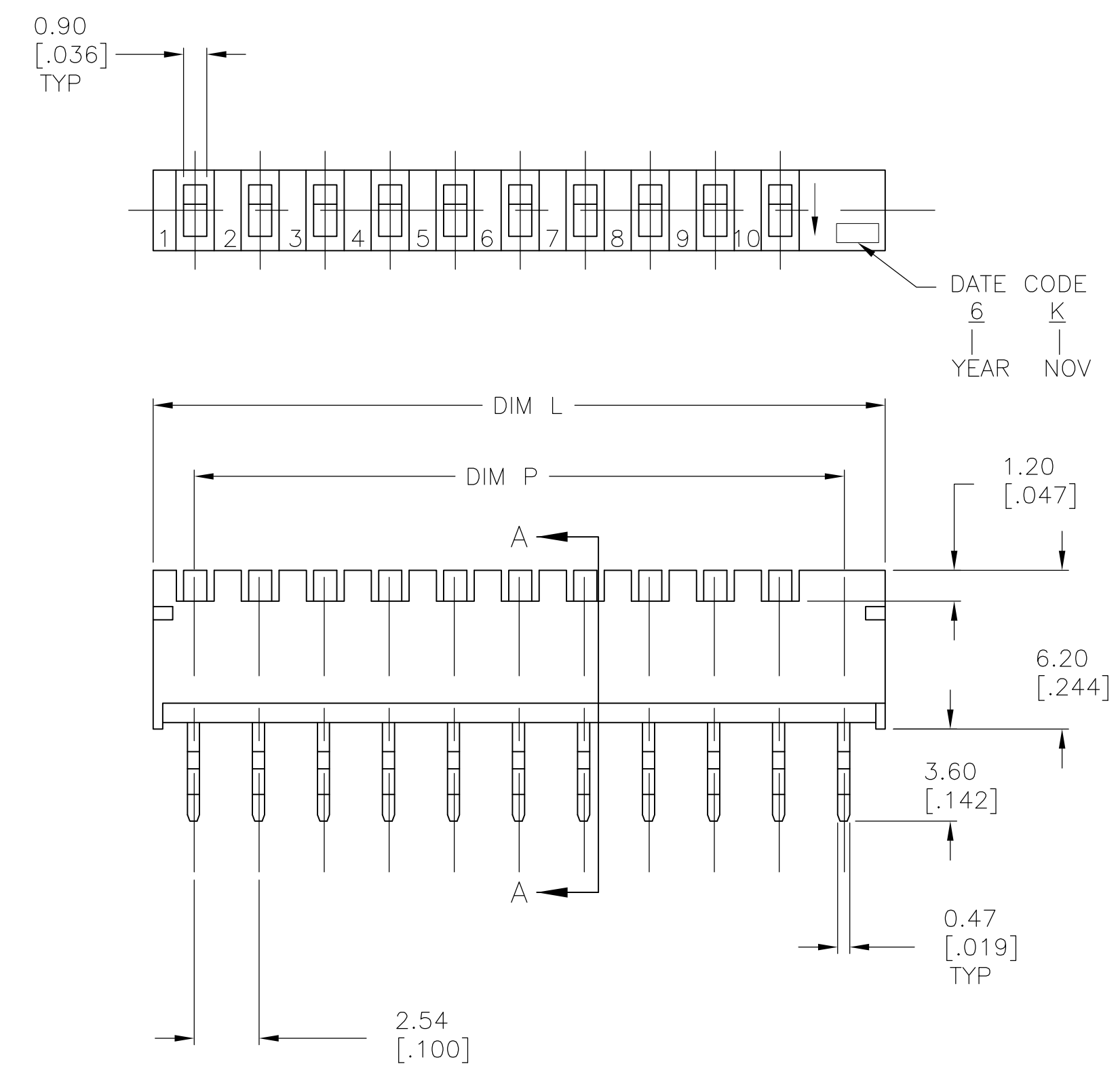
ELECTRICAL:
 RATING- 1a max non-switching
 0.1µA (1mV) min switching
 DC 5V 10mA
 INITIAL CONTACT RESISTANCE- 50milliohm max. (300 milliohms after test)
 INSULATION RESISTANCE- 100Megohms min. at 100V DC
 DIELECTRIC STRENGTH- 300V RMS@SEA LEVEL
 LIFE EXPECTANCY- 1,000 CYCLES

MECHANICAL:
 ACTUATION FORCE- 2.45 +/-1.47N (245 +/-147 GF)
 TRAVEL- .33"

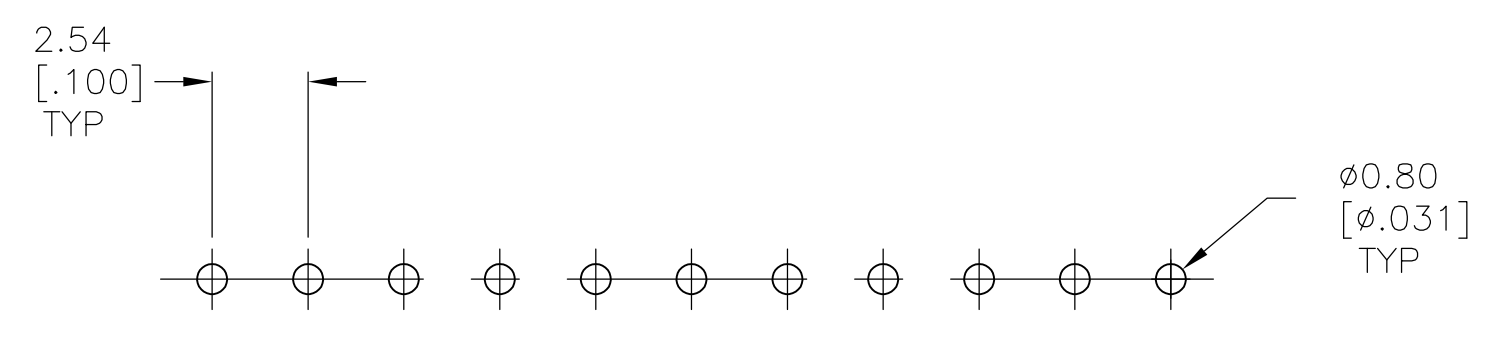
ENVIRONMENTAL:
 OPERATING TEMPERATURE- -30 TO +85 DEGREES C
 STORAGE TEMPERATURE- -45 TO +100 DEGREES C
 RESISTANCE TO SOLDER HEAT- 265 +/-3°C for 8 +/-2 seconds
 SOLDERABILITY PER JIS-C-0050 & JIS-C-0053

NOTES:

- ALL MATERIALS AND FINISHES SHALL COMPLY WITH EU DIRECTIVE 2002/95/EC OF 27JAN2003 (ROHS)
- SWITCH SUPPLIED IN THE "OFF" POSITION AND SHOULD BE SOLDERED IN THE "OFF" POSITION.



CIRCUIT DIAGRAM



P.C. LAYOUT

| | | | | |
|------------------|------------------|------------------|---------|-------------|
| 1, 2, 10 & C | 25.40 (1.000) | 28.60 (1.126) | STV10 | 1977104-5 |
| 1, 2, 8, & C | 20.32 (.800) | 23.52 (.926) | STV08 | 1977104-4 |
| 1, 2, 6 & C | 15.24 (.600) | 18.44 (.726) | STV06 | 1977104-3 |
| ALL | 10.16 (.400) | 13.36 (.526) | STV04 | 1977104-2 |
| ALL | 5.08 (.200) | 8.28 (.326) | STV02 | 1977104-1 |
| Kinked Terminals | DIM P | DIM L | T&B P/N | PART NUMBER |

| | | | | | |
|--|--------------|-------------------|------------------|---|----------------------|
| THIS DRAWING IS A CONTROLLED DOCUMENT. | | DWN M BINNER | 16MAY07 | Tyco Electronics Corporation Harrisburg, PA 17105-3608 | |
| DIMENSIONS: mm [INCHES] | | CHK M S SARVER | NAME | SIP SWITCH (SXV02 - 10 SERIES) | |
| TOLERANCES UNLESS OTHERWISE SPECIFIED: | | PRODUCT SPEC | APPLICATION SPEC | SIZE | CAGE CODE DRAWING NO |
| 0 PLC | ± - | — | — | A1 | 00779 |
| 1 PLC | ± - | — | — | 1977104 | — |
| 2 PLC | ± 0.30[.012] | — | — | — | — |
| 3 PLC | ± - | — | — | — | — |
| 4 PLC | ± - | — | — | — | — |
| ANGLES | ± - | — | — | — | — |
| FINISH | — | — | — | — | — |
| MATERIAL SEE SPECIFICATIONS | — | WEIGHT | — | — | — |
| CUSTOMER DRAWING | | SCALE 5:1 | | SHEET 1 OF 1 | REV A |