

Description

Single pole thermal circuit breaker with press-to-reset, tease-free, trip-free, snap action mechanism. Type 2-5000 is available with optional manual release (-H), type 2-5700 can be supplied as a push-push switch/circuit breaker (R-type TO CBE to EN 60934 in press-to-reset configuration; M-type when fitted with manual release -H; S-type with push-push operation). Fitted with flange or threadneck for panel mounting. Options include an additional unprotected circuit tap (-A3) and -KF housing particularly suited to high humidity and other damp conditions. Approved to CBE standard EN 60934 (IEC 934).

Typical applications

Motors, transformers, solenoids, battery chargers, power supplies, appliances, machinery, extra low voltage systems.

Ordering information

Type No.	
2-5000	flange mounting
2-5700	threadneck panel mounting (hardware bulk shipped)
Threadneck design – type 2-5700 only	
IG1	moulded threadneck 3/8"-27UNS-2A
IG2	moulded threadneck M12x1
Terminal design	
P10	blade terminals 6.3-0.8 mm
K10	screw terminals M4x6
Shunt terminal (optional) -P10 only	
A3	shunt terminal (up to I _N 2.5 A/6 A max. load)
Manual release (optional)	
H	manual release facility (type 2-5000 only)
DD	push to release/push to reset (type 2-5700 only)
Special housing (optional)	
KF	for tropical and high humidity conditions
Current ratings	
0.05 ... 25 A	

2-5700 - IG1 - P10 - [] - DD - [] - 8 A ordering example

The exact part number required can be built up from the table of choices shown above. Ordering references for optional features should be omitted if not required.

Please enquire for packaging quantities.

Standard current ratings and typical internal resistance values

Current rating (A)	Internal resistance (Ω)	Current rating (A)	Internal resistance (Ω)
0.05	280	3	0.1
0.08	100	3.5	0.065
0.1	110	4	0.065
0.2	29	4.5	0.05
0.3	14	5	0.05
0.4	7	6	0.02
0.5	4.9	7	0.02
0.6	3.4	8	< 0.02
0.7	2.5	10	< 0.02
0.8	1.8	12	< 0.02
1	1.2	13	< 0.02
1.2	0.85	15	< 0.02
1.5	0.6	16	< 0.02
1.8	0.4	20	< 0.02
2	0.3	22	< 0.02
2.5	0.2	25	< 0.02



Technical data

Voltage rating	AC 250 V; DC 28 V	
Current rating range	0.05...25 A	
Typical life	5,000 operations at 2 x I _N	
Ambient temperature	-20...+60 °C	
Insulation co-ordination (IEC 664 and 664 A)	Rated impulse withstand voltage 2.5 kV	Pollution degree 2 reinforced insulation in operating area
Dielectric strength (IEC 664 and 664A) operating area	Test voltage AC 3,000 V	
Insulation resistance	> 100 MΩ (DC 500 V)	
Interrupting capacity I _{cn}	0.05...2.5 A 3... 5 A 6...12 A 13...25 A	8 x I _N 20 x I _N 200 A (higher interrupting capacity available to special order) 400 A

Interrupting capacity (UL 1077)	I _N	U _N	
	0.05...4.5 A	AC 250 V	200 A
5... 7 A	AC 250 V	1,000 A	
8...16 A	AC 250 V	2,000 A	
0.05...16 A	DC 28 V	200 A	

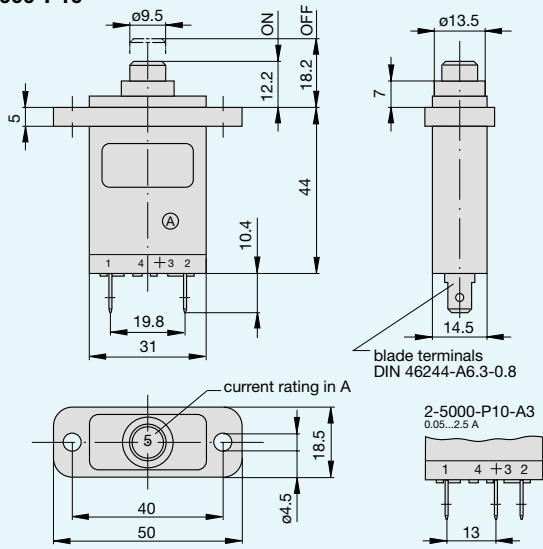
Degree of protection (IEC 529/DIN 40050)	operating area IP 40 terminal area IP 00	
Vibration	8 g (57-500 Hz) ±0.61 mm (10-57 Hz), to IEC 68-2-6, Test Fc, 10 frequency cycles/axis	
Shock	25 g (11 ms) to IEC 68-2-27, test Ea	
Corrosion	96 hours at 5 % salt mist, to IEC 68-2-11, test Ka	
Humidity	240 hours at 95 % RH to IEC 68-2-3, test Ca	
Mass	approx. 29 g	

Approvals

Authority	Voltage ratings	Current ratings
VDE (EN 60934)	AC 250 V; DC 28 V	0.05...25 A
CSA/ UL	AC 250 V; DC 28 V	0.05...16 A
Semko (EN 60934)	AC 250 V; DC 28 V	0.05...25 A
SEV	AC 250 V; DC 28 V	0.05...25 A
LRoS (type 2-5700 only)	AC 250 V; DC 28 V	0.1 ...25 A
BV (type 2-5700 only)	AC 250 V; DC 28 V	0.2 ...25 A

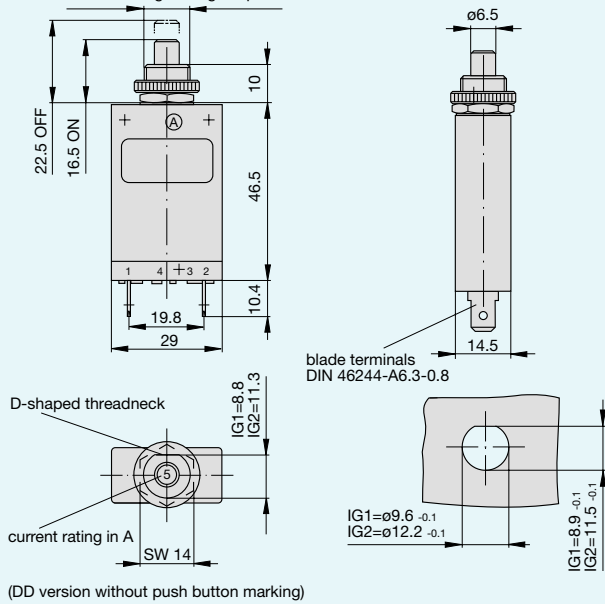
Dimensions

2-5000-P10



2-5700-P10

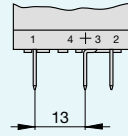
IG1=3/8-27UNS-2A tightening torque max. 1 Nm
 IG2=M12x1 tightening torque max. 1.5 Nm



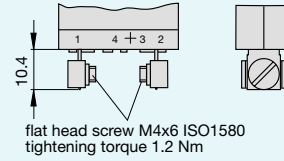
(DD version without push button marking)

Terminal design

-P10-A3 0.05...2.5 A

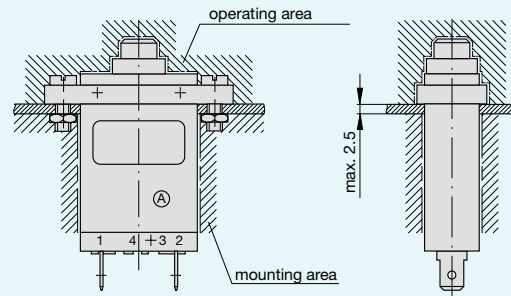


-K10

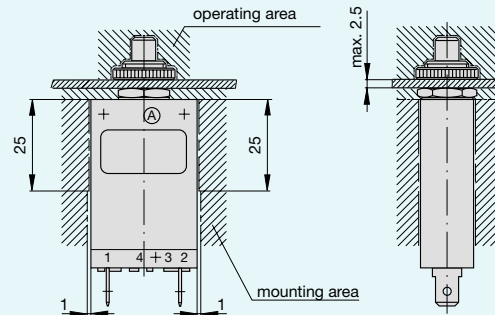


Installation drawings

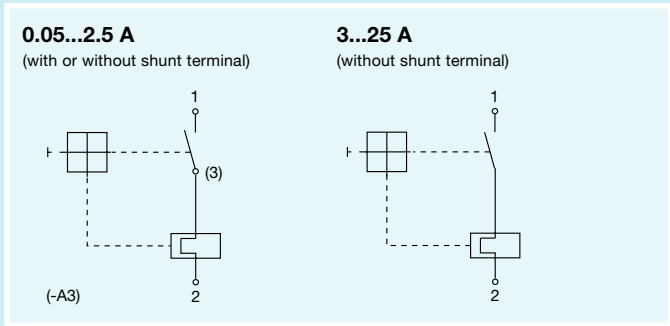
2-5000-...



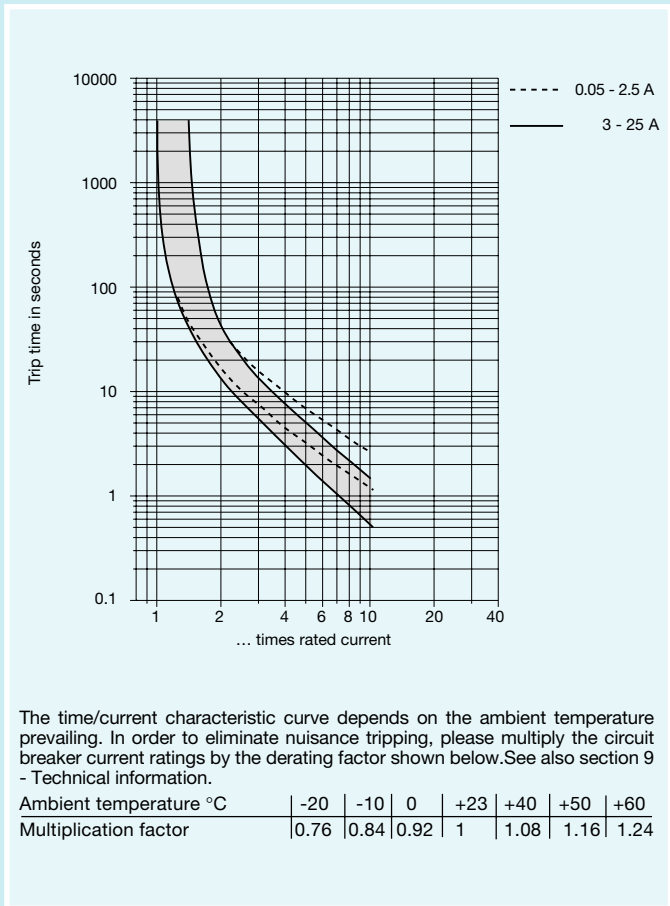
2-5700-...



Internal connection diagrams

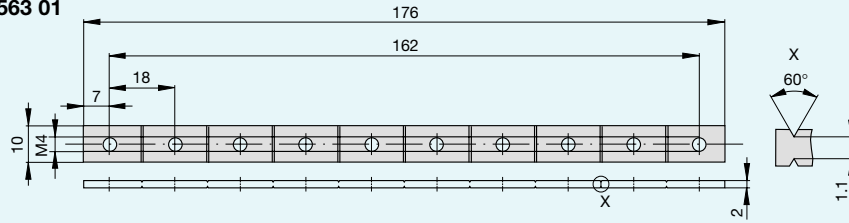


Typical time/current characteristics at +23 °C



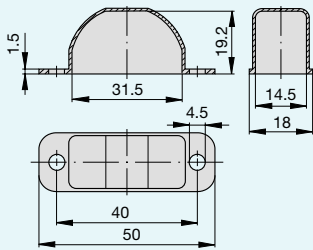
Accessories for types 2-5000 and 2-5700 with screw terminals -K10

Bus bar
Y 303 563 01

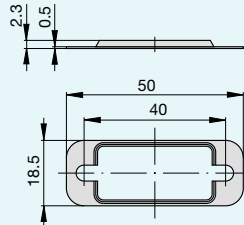


Accessories for type 2-5000-...

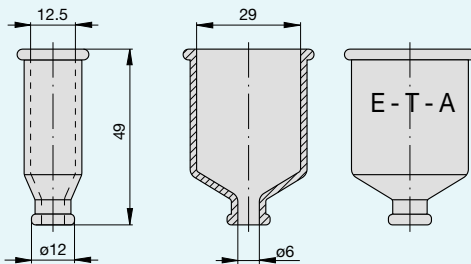
Water splash cover, transparent for push button (IP64)
Y 300 728 01



Fixing plate
Y 301 056 02

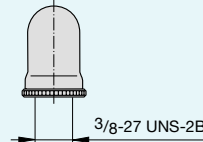


Rear terminal shroud, transparent (IP64)
Y 300 476 01

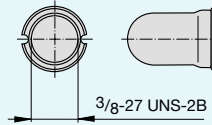


Accessories for type 2-5700-...

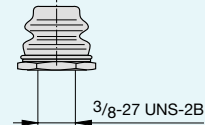
With 3/8" threadneck (-IG1)
Water splash cover, transparent Y 300 538 01
and knurled nut Y 300 628 01
X 200 799 02 (IP64)
X 200 799 01 bonded to nut (IP64)



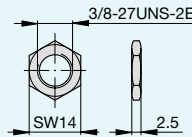
Water splash cover, transparent with special knurled nut
X 200 798 01 (IP64)
X 200 798 02 bonded to nut (IP64)



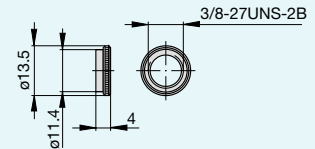
Hex nut with splash cover black X 210 739 01 (IP64)
transparent splash cover X 201 296 03 (IP64)



Separate hardware
Hex nut
Y 300 192 01



Knurled nut
Y 300 284 02

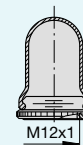


With M12 threadneck (-IG2)

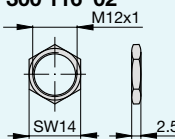
Hex nut with splash cover, black X 201 296 01 without O ring (IP64)
X 200 801 03 with O ring (IP66)
Hex nut with splash cover, transparent
X 200 801 08 with O ring (IP66)



Water splash cover, transparent, with knurled nut
X 210 663 01 (IP64)



Separate hardware
Hex nut
Y 300 116 02



Knurled nut
Y 302 065 01

