

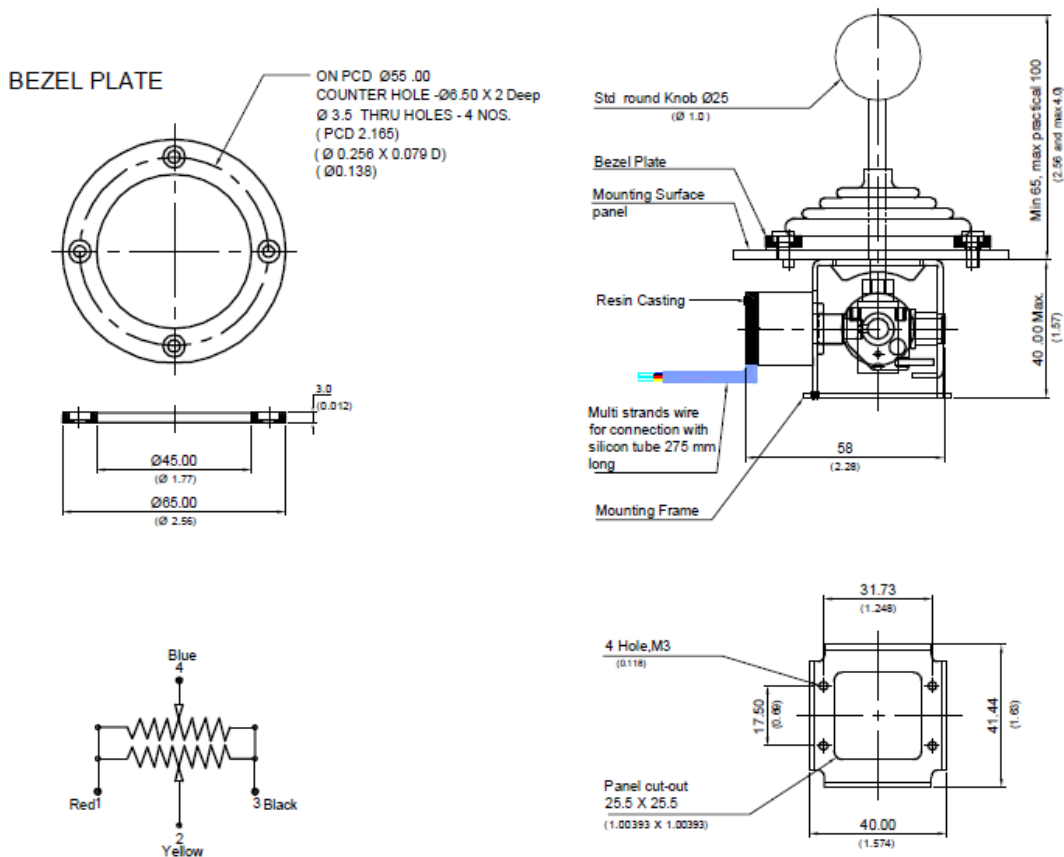
# Datasheet

## Joystick Controller, 2 axis

RS Stock: 842-7172



### Dimensions: Metric (inch)





## Specifications

Electrical Characteristics	Units	Value
Resistance Element	--	Conductive Plastic
Resistance Value	Ohms	5k
Standard Resistance Tolerances	<u>±</u> %	20
Best Possible Resistance Tolerances	<u>±</u> %	10
Standard Independent Linearity Tolerances (IEC 393)	<u>±</u> %	2.0
Electrical Angle	Degrees	45° <u>±</u> 5° for both axis
Electrical Dead Zone	Degrees	5° for both axis
Movement Of Stick	Degrees	25 – 0 – 25
Resolution	--	Essentially Infinite
Temperature Coefficient Of Resistance (TCR)	Ppm/deg C	<u>±</u> 400
Power Rating @ 70°C	Watts	1.0
Insulation Resistance @ 500 V dc	M Ohms	1000
Dielectric Strength @ 50 Hz	V ac	500
Maximum Wiper Current	mA	1
Short Time Wiper Current, 10 sec	mA	10
End Voltage as a % of Applied Voltage	%	Less than 0.5
<b>Environmental Characteristics</b>		
Operating Temperature	Degree C	-40 to +105
RoHS Compliance	--	Yes
<b>Performance</b>		
Life	No. of Operations	2,000,000
<b>Material Of Construction</b>		
Housing	Aluminium Anodized	
Shaft	Stainless Steel	
Terminal	7/38 Multi Strands Teflon Wire (4 wires)	
Mounting Facility	Frame & S.S Plate With M3 Tap	
Rubber Boot	Nitrile Rubber	
Mounting Flange	Stainless Steel	
Push to ON Switch	Branded Quality	