

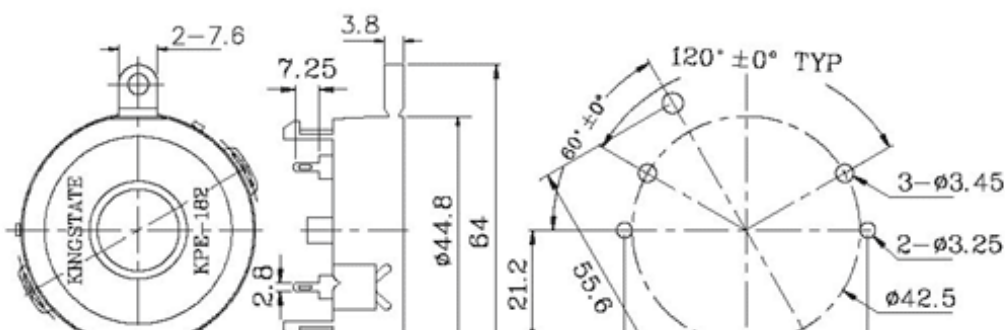
Shape

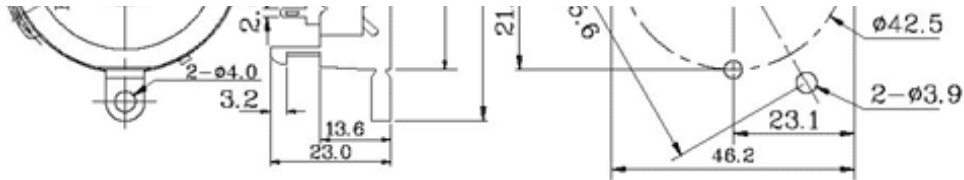
KPEG182



Model Number	KPEG182
Frequency Range (Hz)	2,200 ~ 4,000
Rated Voltage (Vp-p)	Sine Wave 85 / Square Wave 50 / Continuous
Rated Voltage (Vp-p)	Sine Wave 100 / Square Wave 60 / Intermittent
Sound Pressure Level (dB)	Min. 100dB@30cm / 12Vp-p Sine Wave 3.0KHz
Operating Temperature (°C)	-40 ~ +105
Storage Temperature (°C)	-40 ~ +105
Weight (Gram)	11.5
Material	PBT+15%Glass UL94 V-0 (Black)

Dimension



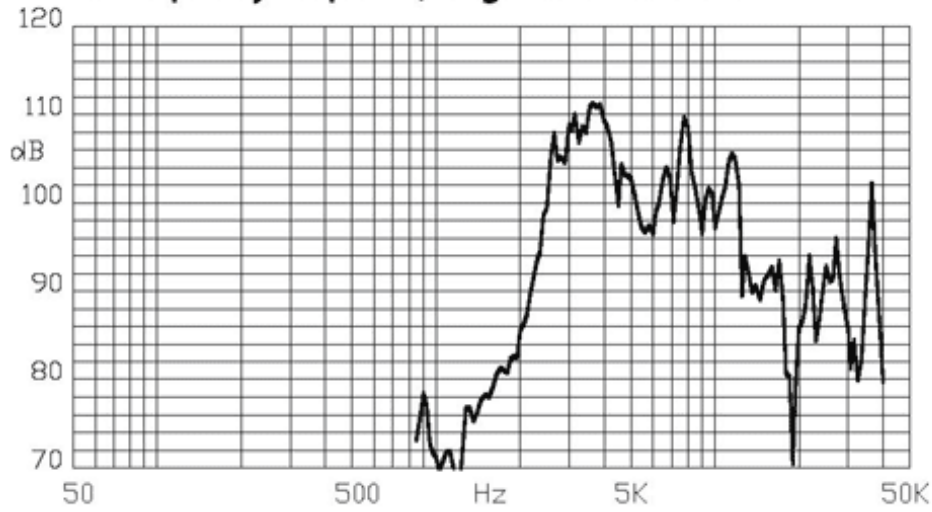


RECOMMENDED PC BOARD LAYOUT

Tol : ± 0.5 Unit : mm

Characteristic

A: Frequency Response, Magn dB re 20.00uPA



The specification is for reference only. Please confirm the detailed approval sheets before ordering with us. Kingstate reserves the right to revise or withdraw specifications without advanced notice.