

RJ45 connection: 30 mm, Metal matt, sand gray



Product brand name	SIRIUS ACT
Product designation	RJ45 connection
Design of the product	RJ-45 Cat. 6
Product type designation	3SU1

<b>Actuator</b>	
Outer diameter of the actuating element	38 mm

<b>General technical data</b>	
Protection class IP	IP65





<b>Ambient conditions</b>	
Ambient temperature	
• during operation	-25 ... +70 °C
• during storage	-40 ... +80 °C






<b>Installation/ mounting/ dimensions</b>	
Shape of the installation opening	round
Mounting diameter	30.5 mm
Mounting height	5 mm
Installation width	38 mm
Installation depth	35.25 mm

## Accessories

Material of accessory	Metal
Color of accessory	sand gray

## Certificates/approvals

General Product Approval	Declaration of Conformity	Test Certificates	Marine / Shipping
 UR	 EAC	 EG-Konf.	<a href="#">Miscellaneous</a> <a href="#">Type Test Certificates/Test Report</a>  ABS

Marine / Shipping	other
 LRS	 PRS
 RINA	 RMRS
 DNV-GL	<a href="#">Confirmation</a>

## Further information

### Information- and Downloadcenter (Catalogs, Brochures,...)

<http://www.siemens.com/industrial-controls/catalogs>

### Industry Mall (Online ordering system)

<https://mall.industry.siemens.com/mall/en/en/Catalog/product?mlfb=3SU1960-0GB80-0AA0>

### Cax online generator

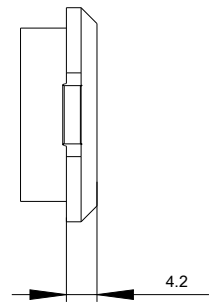
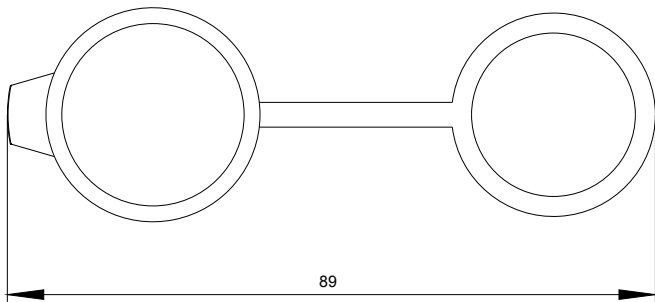
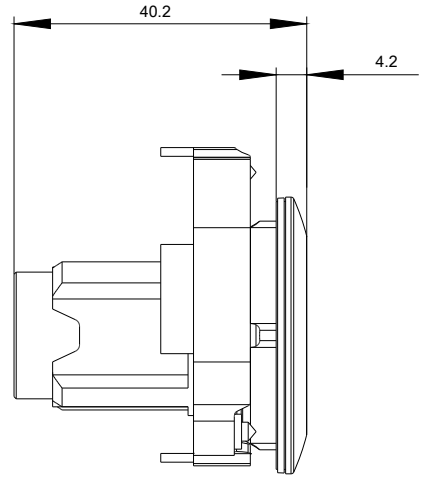
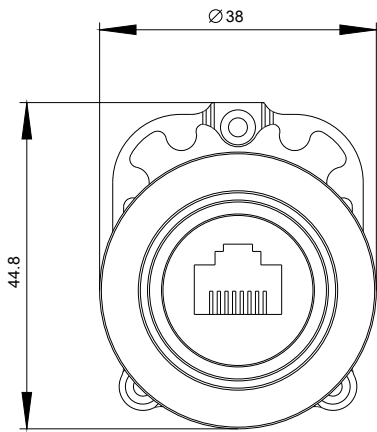
<http://support.automation.siemens.com/WW/CAXorder/default.aspx?lang=en&mlfb=3SU1960-0GB80-0AA0>

### Service&Support (Manuals, Certificates, Characteristics, FAQs,...)

<https://support.industry.siemens.com/cs/ww/en/ps/3SU1960-0GB80-0AA0>

### Image database (product images, 2D dimension drawings, 3D models, device circuit diagrams, EPLAN macros, ...)

[http://www.automation.siemens.com/bilddb/cax\\_de.aspx?mlfb=3SU1960-0GB80-0AA0&lang=en](http://www.automation.siemens.com/bilddb/cax_de.aspx?mlfb=3SU1960-0GB80-0AA0&lang=en)



last modified:

09/12/2019