



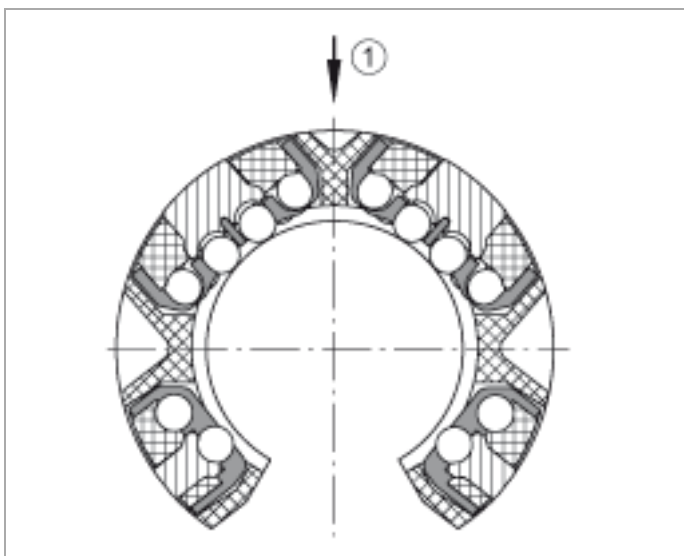
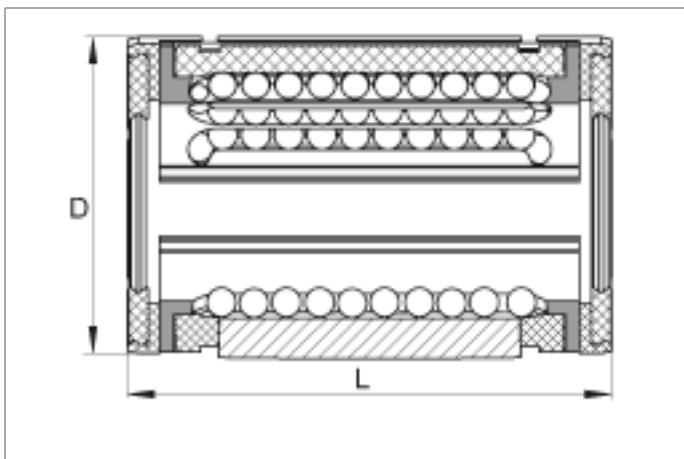
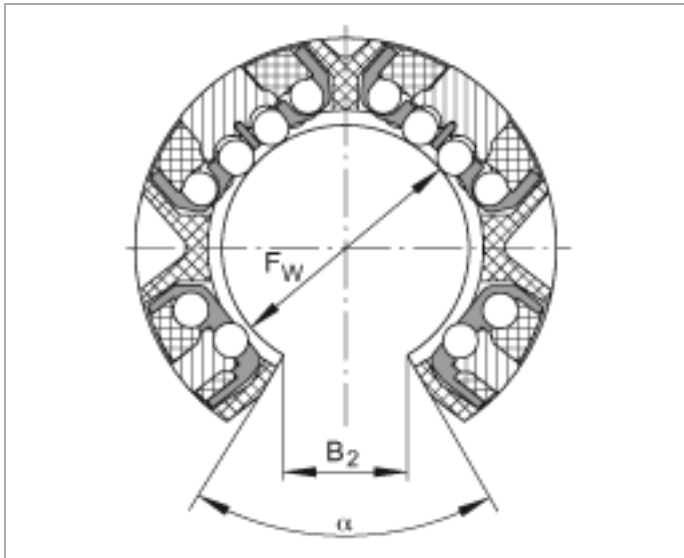
115.111.129.98KSO..-PPLinear-Kugellager

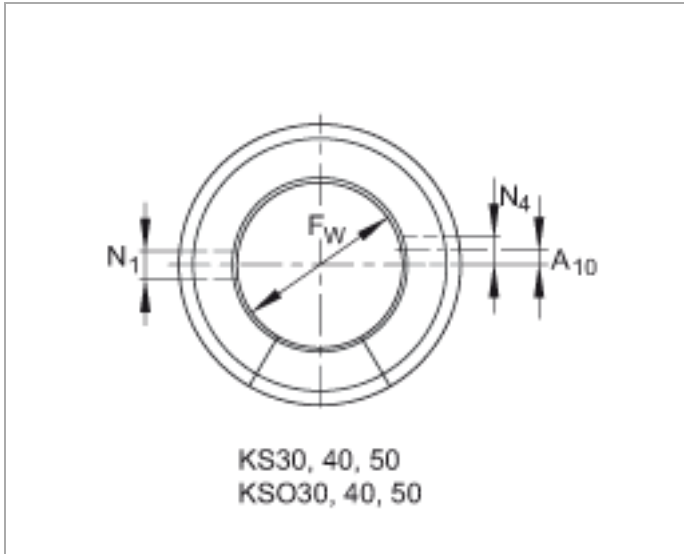
# Linear ball bearings KSO40-PP (Series KSO..-PP)

open design, lip seals on both sides

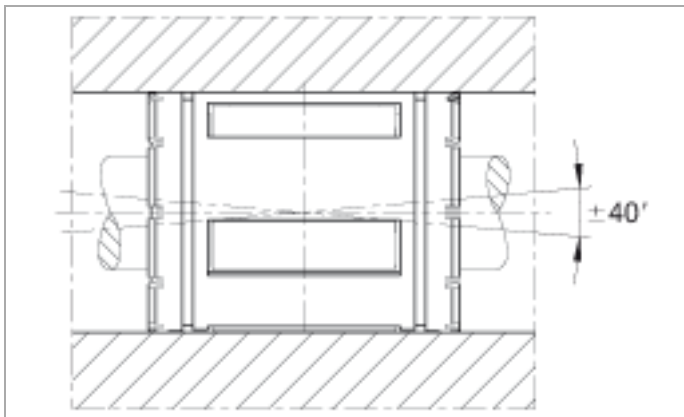
The datasheet is only an overview of dimensions and basic load ratings of the selected product. Please always observe all the guidelines in these overview pages. Further information is given on many products under the menu item "Description". You can also order comprehensive information via the Catalogue ordering system ([https://www.schaeffler.de/content.schaeffler.de/en/news\\_media/index.jsp](https://www.schaeffler.de/content.schaeffler.de/en/news_media/index.jsp)) or by telephone on +49 (91 32) 82 - 28 97.

F <sub>w</sub>	40 mm
D	62 mm
L	80 mm
	6 Number of rows of balls
1)	Main load direction
A <sub>10</sub>	1,5 mm
B <sub>2</sub>	18,2 mm Dimension B2 on diameter F <sub>w</sub>
N <sub>1</sub>	3,5 mm Hole position symmetrical to bearing length L.
N <sub>4</sub>	3 mm Hole position symmetrical to bearing length L.
α	54 °
	With initial greasing, contact seals on both sides.
m	259 g Mass
	Basic load ratings in main load direction The basic load ratings are only valid for hardened (670 HV +165 HV) and ground shaft raceways.
C <sub>m</sub> max	10200 N Basic dynamic load rating
C <sub>0</sub>	9600 N Basic static load rating
max	





Fixing holes



Self-aligning up to +/- 40'