

## eSIGN 6 segments with sirene ProFINET bk



Part No.:	657.430.56
Series:	eSIGN

**MECHANICAL DATA**

Height	219 mm
Diameter	72 mm
Materials	PC
Dome colour	Tranlucent
Housing colour	Black
Protection category	IP66 IP69K
Connection	M12 plug 4-Pole D-coded
Type of fixing	Base mounting Tube mounting
Working temperature minimum	-30°C
Working temperature maximum	+60°C
Weight with packaging	518 g
Product weight	470 g
IK-Code (IEC 62262)	IK08

**ELECTRICAL DATA**

Operating voltage	36-57V (PoE/PoE+)
Operating voltage type	DC
Operating voltage tolerance	+/- 0%
Rated operational voltage	48 VDC
Rated operational current	210 mA
Protection class	Protection class 3
Pollution degree	3
Overvoltage category	I
insulation voltage	Ui = 50V / Uimp = 330V
connectivity	PROFINET

**OPTICAL DATA**

Light source	LED
Light colour	MC >1.000.000 colours
Optical signal image	multi function
Blink frequency	Configurable
Service life optical	50,000 h maximum

**ACOUSTIC DATA**

Volume (max) at 1m distance	105 dB
Acoustic signal image	Multi-tone
Number of tones	10 tone
Volume adjustable	Software controlled



For additional installation and mounting information, refer to the appropriate user guide at [www.werma.com](http://www.werma.com). This printed copy is for information only and is subject to alteration.

**eSIGN 6 segments with sirene ProfiNET bk**

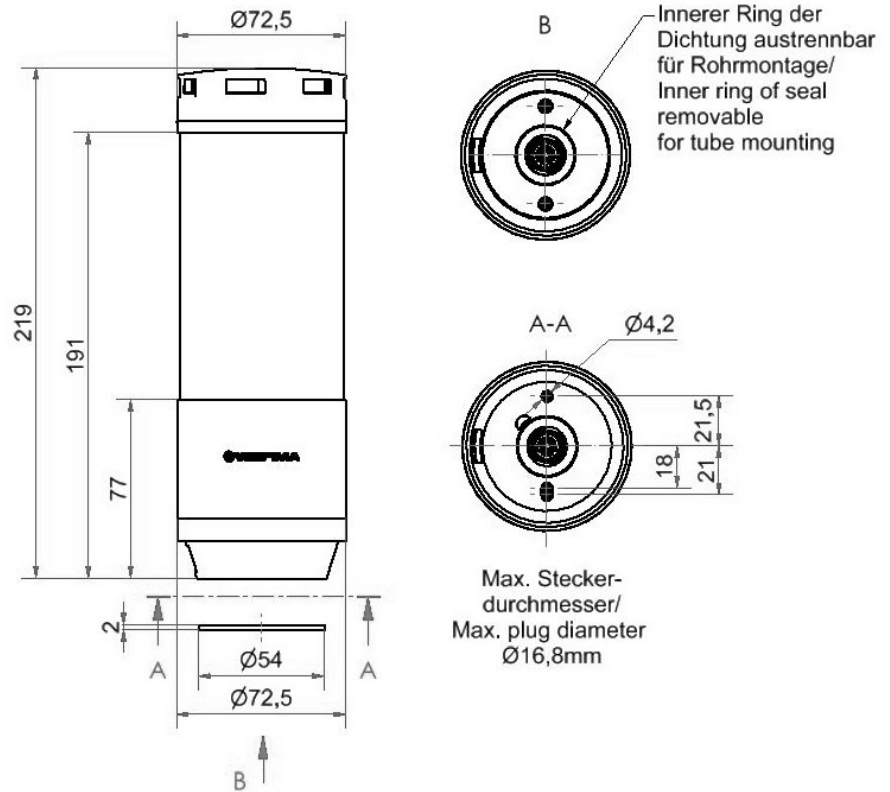
Acoustic service life	5,000 h maximum
<b>APPROVAL DATA</b>	
Conforms with CE	Yes
Conforms with RoHS directive	Yes
WEEE	Yes
Conforms with RED directive	No
Conforms with ATEX-directive	No
Conforms with CCC-Ex	No
Conforms with CCC	No
Conforms with UL	cULus
UL Type Rating	Type 4/4X/12/13
Conforms with FCC	No
Conforms with ISED	No
EAC certificate available	No
Conforms with UKCA (Importer)	Yes (WERMA (UK) Ltd.)
Conforms with CMIM	No
Conforms with AS-I	No
Conforms with DNV	No
Conforms with RoHS CN	10 years
Conforms with VdS	No



For additional installation and mounting information, refer to the appropriate user guide at [www.werma.com](http://www.werma.com). This printed copy is for information only and is subject to alteration.

**eSIGN 6 segments with sirene ProfiNET bk**

**DRAWING**



**!** For additional installation and mounting information, refer to the appropriate user guide at [www.werma.com](http://www.werma.com). This printed copy is for information only and is subject to alteration.