



ENCLOSURE FOR COMMAND DEVICES, 22MM, ROUND, ENCLOSURE MATERIAL PLASTIC, ENCLOSURE TOP PART GRAY, 3 COMMAND POINTS PLASTIC, RECESS FOR LABELS, UNEQUIPPED

Figure similar

product brand name		SIRIUS ACT
Product designation		Commanding and signaling devices
Design of the product		Surface-mounted housing

Enclosure:

Design of the housing		with recess for label
Shape of the enclosure front		rectangular
Material of the enclosure		plastic
Number of control points		3
Product component		
• protective collar		No
Color		
• of top part of the enclosure		grey
Mounting type of the enclosure		Vertical / horizontal

Installation/ mounting/ dimensions:

Height	mm	154
Width	mm	85
Depth	mm	63.8
Mounting diameter	mm	22

Certificates/ approvals:

Further information

Information- and Downloadcenter (Catalogs, Brochures,...)

<http://www.siemens.com/industrial-controls/catalogs>

Industry Mall (Online ordering system)

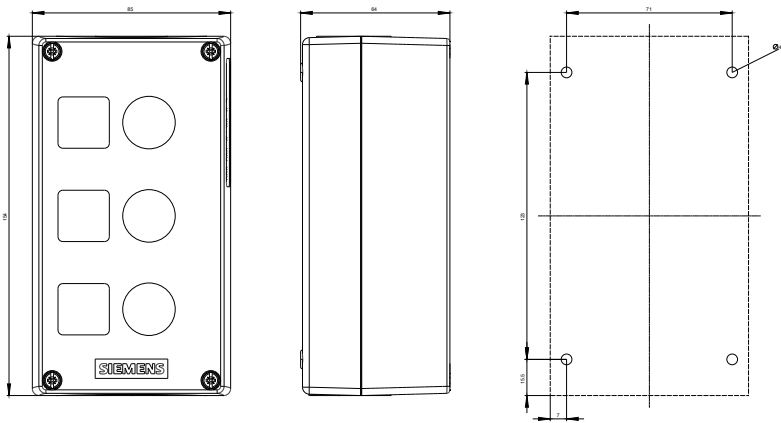
<http://www.siemens.com/industrymall>

Cax online generator

<http://support.automation.siemens.com/WW/CAXorder/default.aspx?lang=en&mlfb=3SU18030AA000AB1>

Service&Support (Manuals, Certificates, Characteristics, FAQs,...)
<http://support.automation.siemens.com/WW/view/en/3SU18030AA000AB1/all>

Image database (product images, 2D dimension drawings, 3D models, device circuit diagrams, EPLAN macros, ...)
http://www.automation.siemens.com/bilddb/cax_de.aspx?mlfb=3SU18030AA000AB1&lang=en



last modified:

09.03.2015