



Brand of NTN Group

Technical data

MUCFPL207

Bearing units

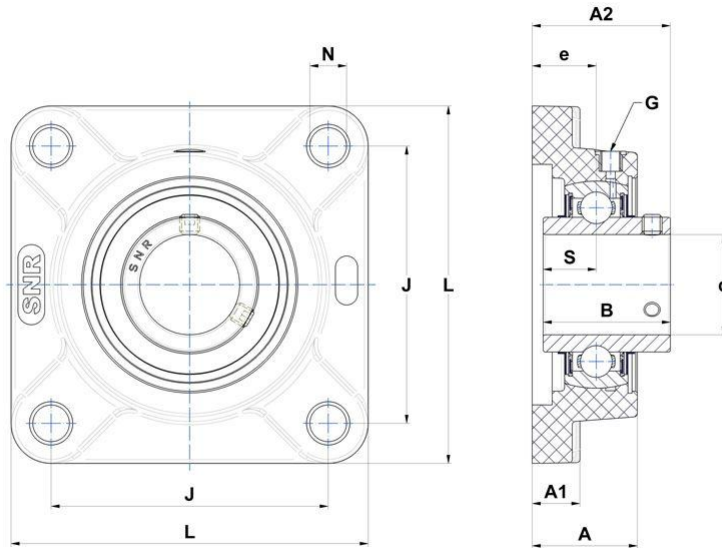


Thermoplastic housing, stainless steel insert ball bearing with socket set screws, seal with slinger, food grease

KIT CONTENT

MUC207FD, FPL207

VISUAL (S)



PRODUCT DEFINITION

Brand	SNR
A - Housing height	34,8 mm
A1 - Housing foot height / flange height	15,5 mm
A2 - Total height from mounting surface	46,9 mm
B - Width of Inner Ring	42,9 mm



NTN Europe

1 rue des Usines · BP 2017 · 74010 Annecy Cedex · France · Tel. +33 (0)4 50 65 30 00
S.A. au capital de 322 639 919 € · RCS ANNECY B 325 821 072 · Id. Fiscale : FR 48 325 821 072
SIRET 325 821 072 00015 · Code APE 2815 Z · Code NACE 28.15

PRODUCT DEFINITION

d - Shaft diameter	35 mm
e - Distance mounting surface to bearing center	21,5 mm
G - Grease fitting	1/4"-28
J - Mounting holes distance	92 mm
L - Housing width / diameter	118 mm
N - Mounting hole dimension	13 mm
S - Distance front side/bearing centre	17,5 mm

PRODUCT PERFORMANCE

C - Dynamic load rating	22000000 mN
C0 - Static load rating	12300000 mN
Operating temperature min.	253,15 °K
Operating temperature max.	373,15 °K

OTHER FEATURES

Mass	0,74 kg
Recommended tightening torque for set screw	8.3 N-m

