

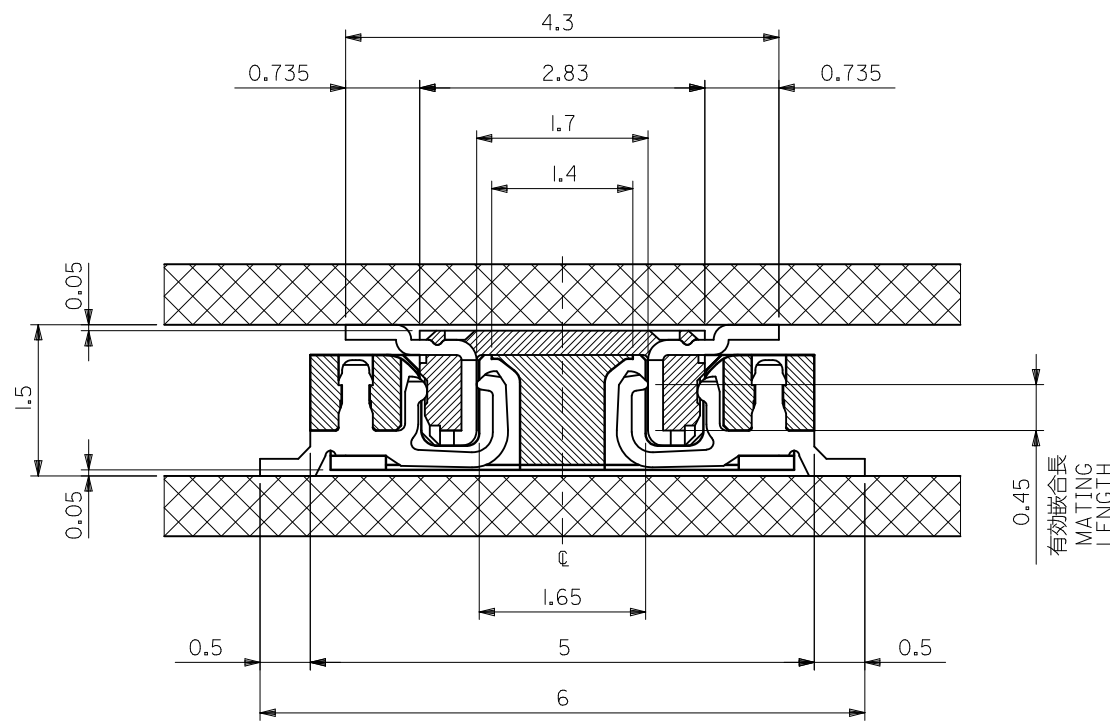
NON	20.55	19.5	21.45	55560-080I	80
10,21	15.55	14.5	16.45	▲ -060I	60
2,4,8,10,16,18,22,24	13.05	12.0	13.95	-050I	50
2,3,5,6,8,9,12,13,15,16,18,19	10.55	9.5	11.45	-040I	40
2,3,4,5,7,8,9,10,11,13,14,15,16	9.05	8.0	9.95	-034I	34
ALL	8.05	7.0	8.95	-030I	30
	6.55	5.5	7.45	-024I	24
	6.05	5.0	6.95	-022I	22
	5.55	4.5	6.45	▼ -020I	20
4.55	3.5	5.45	55560-016I	16	
LOCK POSITION	C	B	A	MATERIAL NO.	極数 CIRCUIT

DO NOT SCALE DRAWING

REVISED EC NO. J2010-1741 DRWN: Y.ONO '10/03/01 CHK: S.MARUYAMA APPR: S.MARUYAMA	REVISED EC NO. J2010-1529 DRWN: Y.ONO '10/01/27 CHK: S.MARUYAMA APPR: M.SASAO	REVISED EC NO. J2003-2517 DRWN: S.AIHARA '03/03/31 CHK: M.SASAO APPR: M.SASAO	REVISED EC NO. J2003-1929 DRWN: T.YASUJI '03/11/23 CHK: T.IITO APPR: T.IITO	REVISED EC NO. J2003-1468 DRWN: T.YASUJI '02/11/25 CHK: T.IITO APPR: T.YAMAGUCHI	MATERIAL 材質 注記参照 SEE NOTES
J	H	G	F	E	FINISH 仕上げ //
					WIRE RANGE 適用導線範囲 //
					INS. RANGE 被覆外径 //

GENERAL TOLERANCES: (UNLESS SPECIFIED) 一般公差	SCALE //	MODEL NO. 55560-***I	DIMENSIONS: <input type="checkbox"/> mm <input type="checkbox"/> INCH <input checked="" type="checkbox"/> mm ONLY	SHT REVISE ON CAD ONLY	REV
10 UNDER 未満	±0.2	DRAWN BY & DATE S.AIHARA '00/10/5	THIRD ANGLE PROJECTION		
10 OVER 以上	±0.25	CHECKED BY & DATE M.SASAO '03/03/31	TITLE: 0.5 B-To-B Conn PLUG Assy(Hg+=1.5mm)		
30 OVER 以上	±0.3	APPROVED BY & DATE M.SASAO '03/03/31	<b>MOLEX INCORPORATED</b>		
ANGLE 角度	±3°	CAD FILENAME 55560006.S01	MATERIAL NO. SEE CHART	DRAWING NO. SD-55560-006	SHEET NO. 1 OF 2
		THIS DRAWING CONTAINS INFORMATION THAT IS PROPRIETARY TO MOLEX INCORPORATED AND SHOULD NOT BE USED WITHOUT WRITTEN PERMISSION.			SIZE B

55560006.S01



嵌合断面図 (参考)  
MATED DRAWING (REF.)

注記 NOTES:

1. 使用材料 MATERIAL  
 ウェハー : 液晶ポリマー ガラス充填 ,UL94V-0(黒)  
 WAFER : LIQUID CRYSTRAL POLYMER  
 (GLASS FILLED), UL94V-0 (COLOR:BLACK)  
 ピン : 黄銅 (t=0.15)  
 PIN : BRASS(t=0.15)
2. メッキ仕様 PLATING  
 金メッキ 0.25 MICROMETER MINIMUM (コンタクト部)  
 GOLD 0.25 MICROMETER MINIMUM (CONTACT AREA).  
 金メッキ 0.4 MICROMETER MAXIMUM (テール部)  
 GOLD 0.4 MICROMETER MAXIMUM (TAIL AREA).  
 下地メッキ : ニッケルメッキ 1.5 MICROMETER MINIMUM  
 UNDER PLATING : NICKEL 1.5 MICROMETER MINIMUM.
3. (全極数/2) = 偶数の場合に適用。  
 APPLY FOR (CIRCUIT/2)=EVEN.
4. 嵌合相手 : 54722 シリーズ, 54037 シリーズ  
 MATE WITH : 54722 SERIES, 54037 SERIES.  
 テール平坦度は、0.1 MAXIMUM  
 TAIL COPLANARITY TO BE 0.1 MAXIMUM.

DO NOT SCALE DRAWING

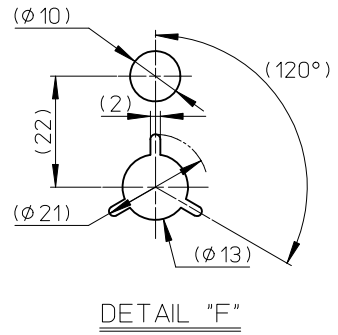
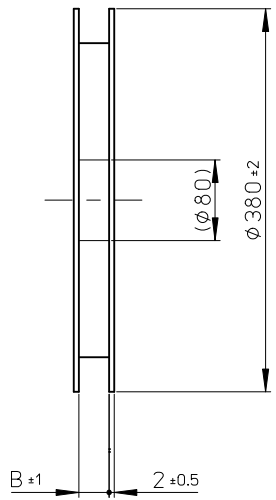
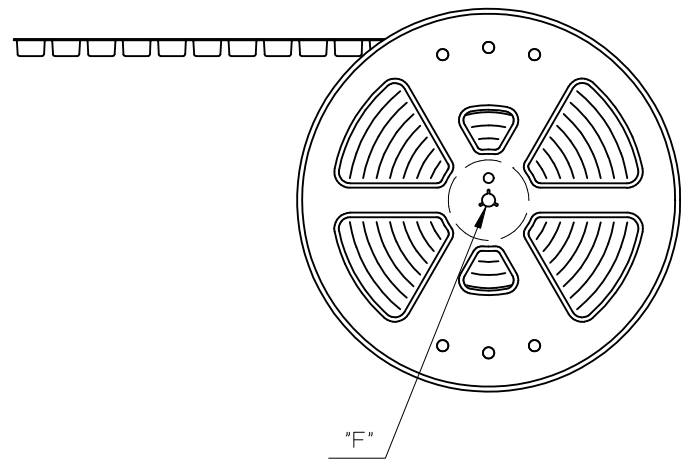
REVISED EC NO. J2010-1741 DRWN: Y.ONO '10/03/01 CHK: S.MARUYAMA APPR: S.MARUYAMA	REVISED EC NO. J2010-1529 DRWN: Y.ONO '10/01/27 CHK: S.MARUYAMA APPR: M.SASAO	REVISED EC NO. J2003-2517 DRWN: S.AIHARA '03/03/31 CHK: M.SASAO APPR: M.SASAO	REVISED EC NO. J2003-1929 DRWN: T.YASUJI '03/11/23 CHK: T.IITO APPR: T.IITO	REVISED EC NO. J2003-1468 DRWN: T.YASUJI '02/11/25 CHK: T.IITO APPR: T.YAMAGUCHI
J	H	G	F	E

MATERIAL 材質	注記参照 SEE NOTES
FINISH 仕上げ	—
WIRE RANGE 適用導線範囲	—
INS. RANGE 被覆外径	—

GENERAL TOLERANCES: (UNLESS SPECIFIED) 一般公差	SCALE —
10 UNDER 未満	±0.2
10 OVER 以上	±0.25
30 UNDER 未満	±0.3
30 OVER 以上	±0.3
ANGLE 角度	±3°

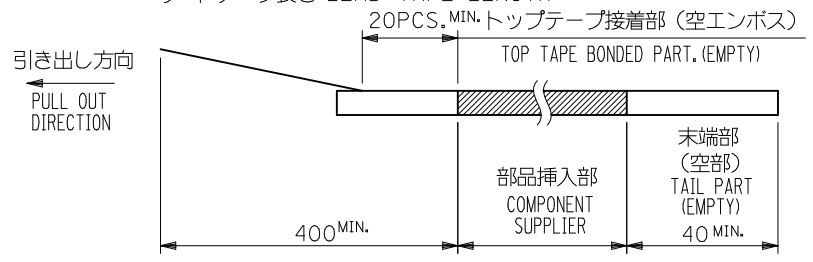
MODEL NO. 55560-***I	DIMENSIONS: <input type="checkbox"/> mm <input type="checkbox"/> INCH <input checked="" type="checkbox"/> mm ONLY	SHT	REV
DESIGN UNITS <input checked="" type="checkbox"/> mm <input type="checkbox"/> INCH	THIRD ANGLE PROJECTION	REVISE ON CAD ONLY	
DRAWN BY & DATE S.AIHARA '00/10/5	CHECKED BY & DATE M.SASAO '03/03/31	TITLE: 0.5 B-To-B Conn PLUG Assy(Hg+=1.5mm)	
APPROVED BY & DATE M.SASAO '03/03/31	CAD FILENAME 55560006.S02	MOLEX INCORPORATED	
MATERIAL NO. SEE CHART	DRAWING NO. SD-55560-006	SHEET NO. 2 OF 2	SIZE B
THIS DRAWING CONTAINS INFORMATION THAT IS PROPRIETARY TO MOLEX INCORPORATED AND SHOULD NOT BE USED WITHOUT WRITTEN PERMISSION.			

引き出し方向  
PULL OUT DIRECTION

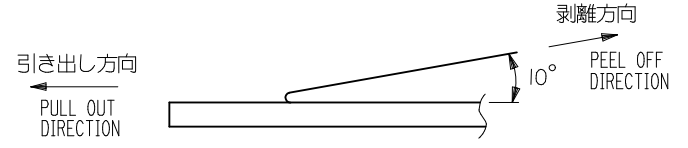


NOTES

- 製品詳細寸法については図面 SD-55560-006 を参照下さい。  
RE DETAILED DIMENSION, SEE SD-55560-006
- 梱包数量：3000個/リール  
NUMBER OF CONNECTORS : 3000PCS/REEL
- リードテープ長さ LEAD TAPE LENGTH

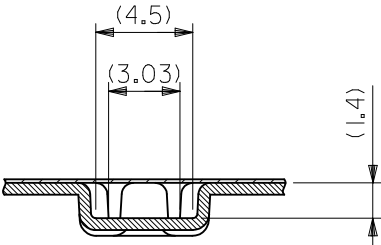
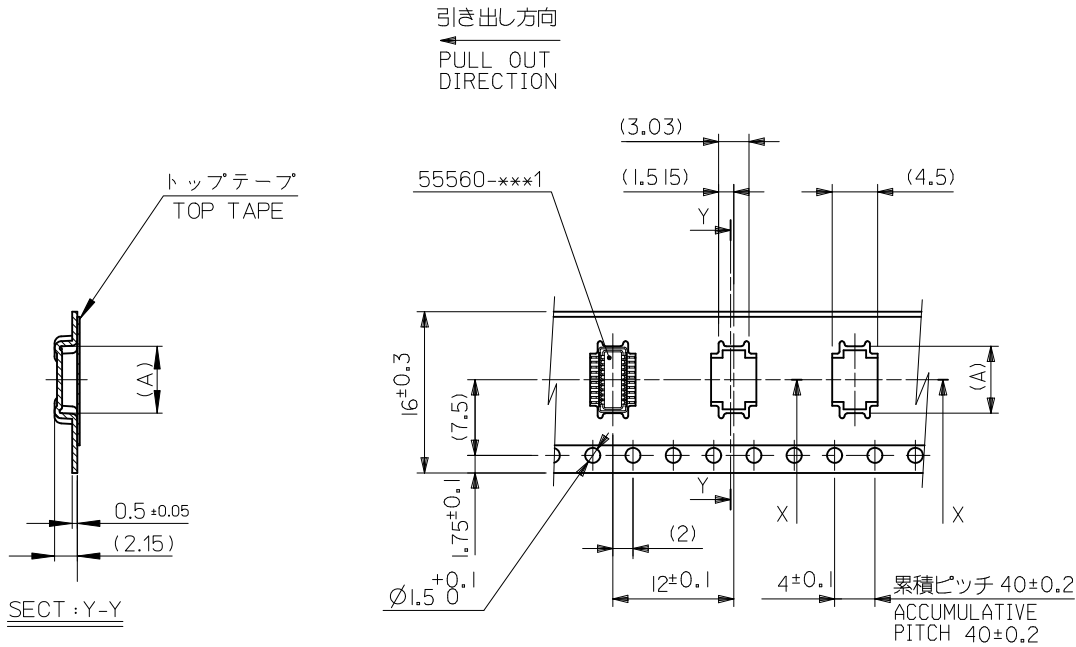


- トップテープの剥離強度：0.1N ~ 0.7N(10.2gf ~ 71.4gf)  
(剥離方向は下図参照)  
尚、本規格値は出荷時に適用。(但し、輸送時に剥離が発生しないこと。)  
PEELING OFF FORCE OF TOP TAPE : 0.1N ~ 0.7N(10.2gf ~ 71.4gf)  
(PEELING DIRECTION AS SHOWN IN FOLLOWING FIG,)  
THIS REQUIREMENT SHOULD BE APPLIED AT SHIPMENT.  
PEEL OFF SHOULD NOT BE ALLOWED , DURING TRANSPORTATION.



- 材料  
キャリアテープ：ポリプロピレン (PP)  
トップテープ：PET, PE, PEF  
リール：ポリスチレン (PS) <リサイクル材を含む>  
MATERIAL CARRIER TAPE: POLYPROPYLENE  
TOP TAPE: PET, PE, PEF  
REEL: POLYSTYRENE (PS)  
<RECYCLE MATERIAL CONTAINED>

REVISED EC NO: J2010-1529 DRWN: YONOOZ 2010/01/28 CHKD: S MARUYAMA 2010/02/01 APPR: MSASAO 2010/02/01	DESCRIPTION REV	GENERAL TOLERANCES (UNLESS SPECIFIED)		DIMENSION STYLE MM ONLY		SCALE ---	DESIGN UNITS METRIC	THIRD ANGLE PROJECTION		
		10 UNDER	± 0.2	DRAWN BY S. AIHARA	DATE '00/10/06	TITLE 0.5 B-T-O-B PLUG ASSY (HGT=1.5) EMBSTP PKG (SHEET 1 OF 5)				
		10 OVER 30 UNDER	± 0.25	CHECKED BY M. SASAO	DATE '03/03/31	MOLEX INCORPORATED				
		30 OVER	± 0.3	APPROVED BY M. SASAO	DATE '03/03/31	DOCUMENT NO. SD-55560-007				
ANGULAR ± 3 °		DRAFT WHERE APPLICABLE MUST REMAIN WITHIN DIMENSIONS		MATERIAL NO. SEE CHART		SHEET NO. 1 OF 5		THIS DRAWING CONTAINS INFORMATION THAT IS PROPRIETARY TO MOLEX INCORPORATED AND SHOULD NOT BE USED WITHOUT WRITTEN PERMISSION		

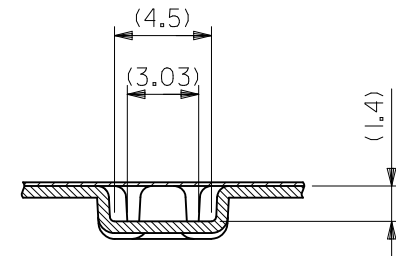
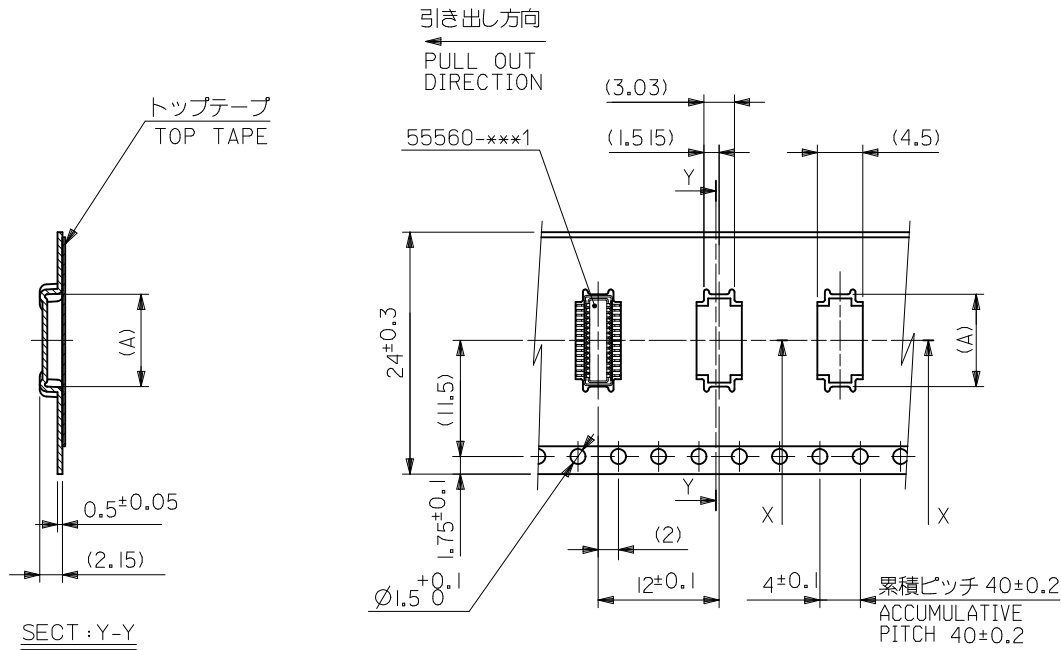


SECTION X-X  
SCALE 5:1

16mm幅キャリアテープ  
16mm WIDTH CARRIER TAPE

16	17.5	6.65	55560-0207	55560-***7	20
キャリアテープ幅 CARRIER TAPE WIDTH	B	(A)	MATERIAL No.	MODEL No.	極数 CIRCUIT

REVISED EC NO: J2010-1529 DRWN: YON002 CHKD: SMARUYAMA APPR: MSASAO 2010/01/28 2010/02/01 2010/02/01	GENERAL TOLERANCES (UNLESS SPECIFIED)		DIMENSION STYLE MM ONLY	SCALE ---	DESIGN UNITS METRIC	THIRD ANGLE PROJECTION
	10 UNDER	±0.2	DRAWN BY S. AIHARA	DATE '00/10/06	TITLE 0.5 B-T0-B PLUG ASSY (HGT=1.5) EMBSTP PKG (SHEET 2 OF 5)	
	10 OVER 30 UNDER	±0.25	CHECKED BY M. SASAO	DATE '03/03/31	MOLEX INCORPORATED	
	30 OVER	±0.3	APPROVED BY M. SASAO	DATE '03/03/31	DOCUMENT NO. SD-55560-007	SHEET NO. 2 OF 5
J	DESCRIPTION	ANGULAR ±3 °	MATERIAL NO. SEE CHART	THIS DRAWING CONTAINS INFORMATION THAT IS PROPRIETARY TO MOLEX INCORPORATED AND SHOULD NOT BE USED WITHOUT WRITTEN PERMISSION		
	REV	DRAFT WHERE APPLICABLE MUST REMAIN WITHIN DIMENSIONS	SIZE A3			

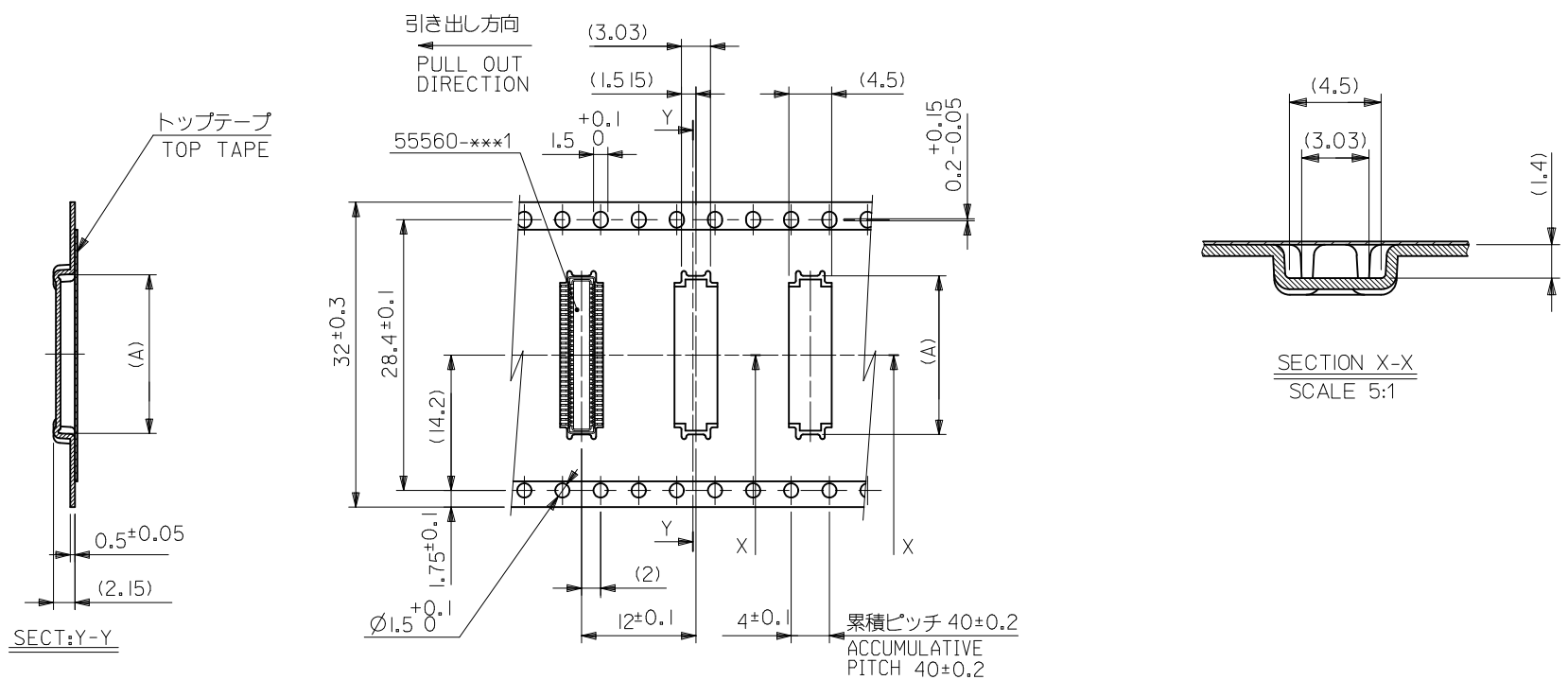


SECTION X-X  
SCALE 5:1

24mm幅キャリアテープ  
24mm WIDTH CARRIER TAPE

24	25.5	14.15	55560-0507	55560-***7	50
		11.65	55560-0407		40
		10.15	55560-0347		34
		9.15	55560-0307		30
		7.65	55560-0247		24
		7.15	55560-0227		22
キャリアテープ幅 CARRIER TAPE WIDTH	B	(A)	MATERIAL No.	MODEL No.	極数 CIRCUIT

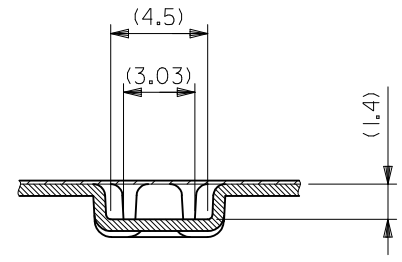
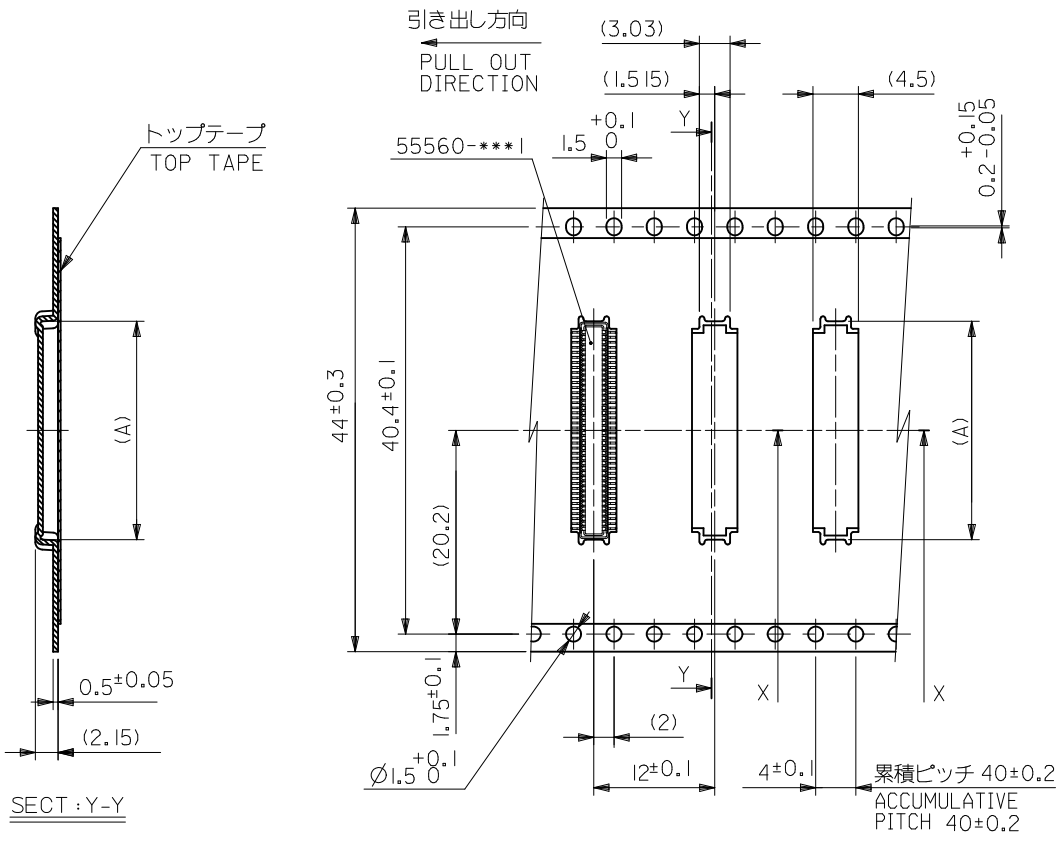
REVISED EC NO.: J2010-1529 DRWN: YON002 2010/01/28 CHKD: SMARUYAMA 2010/02/01 APPR: MSASAO 2010/02/02	GENERAL TOLERANCES (UNLESS SPECIFIED)		DIMENSION STYLE MM ONLY		SCALE ---	DESIGN UNITS METRIC	THIRD ANGLE PROJECTION
	10 UNDER	±0.2	DRAWN BY S. AIHARA	DATE '00/10/06	TITLE 0.5 B-T0-B PLUG ASSY (HGT=1.5) EMBSTP PKG (SHEET 3 OF 5)		
	10 OVER 30 UNDER	±0.25	CHECKED BY M. SASAO	DATE '03/03/31	MOLEX INCORPORATED		
	30 OVER	±0.3	APPROVED BY M. SASAO	DATE '03/03/31	MATERIAL NO. SEE TABLE	DOCUMENT NO. SD-55560-007	SHEET NO. 3 OF 5
J	REVISION	ANGULAR ±3 °	DRAFT WHERE APPLICABLE MUST REMAIN WITHIN DIMENSIONS		THIS DRAWING CONTAINS INFORMATION THAT IS PROPRIETARY TO MOLEX INCORPORATED AND SHOULD NOT BE USED WITHOUT WRITTEN PERMISSION		



32mm幅キャリアテープ  
32mm WIDTH CARRIER TAPE

32	33.5	16.65	55560-0607	55560-***7	60
キャリアテープ幅 CARRIER TAPE WIDTH	B	(A)	MATERIAL No.	MODEL No.	極数 CIRCUIT

REVISED EC NO: J2010-1529 DRWN: YON002 CH'KD: SMARUYAMA APPR: MSASAO 2010/01/28 2010/02/01 2010/02/02	GENERAL TOLERANCES (UNLESS SPECIFIED)		DIMENSION STYLE MM ONLY		SCALE ---	DESIGN UNITS METRIC	THIRD ANGLE PROJECTION	
	10 UNDER	$\pm 0.2$	DRAWN BY T. YASUI	DATE '02/03/06	TITLE 0.5 B-T0-B PLUG ASSY (HGT=1.5) EMBSTP PKG (SHEET 4 OF 5)			
	10 OVER 30 UNDER	$\pm 0.25$	CHECKED BY M. SASAO	DATE '03/03/31	MOLEX INCORPORATED			
	30 OVER	$\pm 0.3$	APPROVED BY M. SASAO	DATE '03/03/31	MATERIAL NO. SEE CHART	DOCUMENT NO. SD-55560-007	SHEET NO. 4 OF 5	
J	DESCRIPTION REV	ANGULAR $\pm 3^\circ$	DRAFT WHERE APPLICABLE MUST REMAIN WITHIN DIMENSIONS					THIS DRAWING CONTAINS INFORMATION THAT IS PROPRIETARY TO MOLEX INCORPORATED AND SHOULD NOT BE USED WITHOUT WRITTEN PERMISSION



SECTION X-X  
SCALE 5:1

44mm幅キャリアテープ  
44mm WIDTH CARRIER TAPE

44	45.5	21.65	55560-0807	55560-***7	80
キャリアテープ幅 CARRIER TAPE WIDTH	B	(A)	MATERIAL No.	MODEL No.	極数 CIRCUIT

REVISED EC NO: J2010-1529 DRWN: YON002 2010/01/28 CHKD: SMARUYAMA 2010/02/01 APPR: MSASAO 2010/02/01 J REV	GENERAL TOLERANCES (UNLESS SPECIFIED)		DIMENSION STYLE MM ONLY		SCALE ---	DESIGN UNITS METRIC	THIRD ANGLE PROJECTION
	10 UNDER	±0.2	DRAWN BY S. AIHARA	DATE '00/10/06	TITLE 0.5 B-T0-B PLUG ASSY (HGT=1.5) EMBSTP PKG (SHEET 5 OF 5)		
	10 OVER 30 UNDER	±0.25	CHECKED BY M. SASAO	DATE '03/03/31	MOLEX INCORPORATED		
	30 OVER	±0.3	APPROVED BY M. SASAO	DATE '03/03/31	MATERIAL NO. SEE CHART	DOCUMENT NO. SD-55560-007	SHEET NO. 5 OF 5
ANGULAR ±3 °		DRAFT WHERE APPLICABLE MUST REMAIN WITHIN DIMENSIONS		THIS DRAWING CONTAINS INFORMATION THAT IS PROPRIETARY TO MOLEX INCORPORATED AND SHOULD NOT BE USED WITHOUT WRITTEN PERMISSION			