

GENERAL SPECIFICATIONS FOR S800s & S732

Electrical Capacity (Resistive & Inductive Load)

Power Level: Shown in the following tables

Other Ratings

Contact Resistance:	10 milliohms maximum
Insulation Resistance:	1,000 megohms minimum @ 500V DC
Dielectric Strength:	2,000V AC minimum for 1 minute minimum for S800s & S800Ds 3,000V AC minimum for 1 minute minimum for S732
Mechanical Life:	50,000 operations minimum
Electrical Life:	10,000 operations minimum for S800Ds 25,000 operations minimum for S800s & S732
Angle of Throw (α):	Shown in tables on following pages

Materials & Finishes

Toggle:	Brass with nickel plating for S732 Brass with chrome plating for S800s & S800Ds
Bushing:	Brass with chrome plating
Case:	Phenolic resin for S732; melamine phenol for S800s
Case Cover:	Steel with chromate plating over zinc plating
Movable Contactor Plate:	Copper with silver plating
Movable & Stationary Contacts:	Silver alloy capped on copper with silver plating
Common Terminals:	Brass
Contact Terminals:	Brass with silver or nickel plating

Environmental Data

Operating Temp Range: -10°C through +70°C (+14°F through +158°F)

Installation

Mounting Torque:	2.94Nm (26 lb•in) for double nut
Maximum Panel Thickness:	Shown beneath panel cutout in switch dimension drawings
Soldering Time & Temperature:	3 seconds @ 350°C or 5 seconds @ 270°C

Standards & Certifications

UL Recognized:	Designated with UL recognized symbol beside part numbers on following pages See Supplement Index (page Z2) to find UL rating details. UL File No. WOYR2.E44145 Add "/U" to end of part number to order UL mark on switch.
CSA Certified:	Designated with CSA certified symbol beside part numbers on following pages See Supplement Index (page Z2) to find CSA rating details. File No. 023535-0-000 Add "/C" to end of part number to order CSA mark on switch.

DOUBLE POLE WITH SCREW LUG

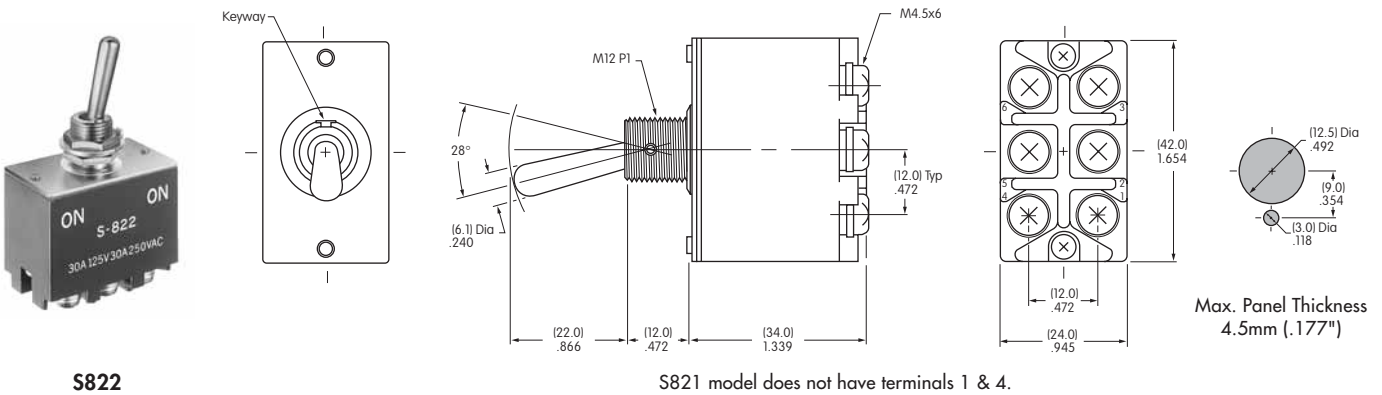
Model	Approvals	Pole & Throw	Toggle Position/Connected Terminals			Electrical Capacity							
			Down Keyway	Center	Up	Resistive				Inductive			
						AC 125V	AC 250V	DC 30V	DC 125V	AC 125V PF 0.6	AC 250V PF 0.6		
S821		DPST	ON	2-3 5-6	NONE	OFF	—	30A	30A	30A	1A	30A	15A
S822		DPDT	ON	2-3 5-6	NONE	ON	2-1 5-4	30A	30A	30A	1A	30A	15A
S823		DPDT	ON	2-3 5-6	OFF	ON	2-1 5-4	30A	30A	30A	1A	30A	15A

Throw & Schematics:



Note: Terminal numbers are on the switch.

- Standard Hardware: AT503 Face Hex Nut, AT506 Locking Ring, AT508 Lockwasher, AT527M Backup Hex Nut.



S822

S821 model does not have terminals 1 & 4.

THREE POLE WITH SCREW LUG

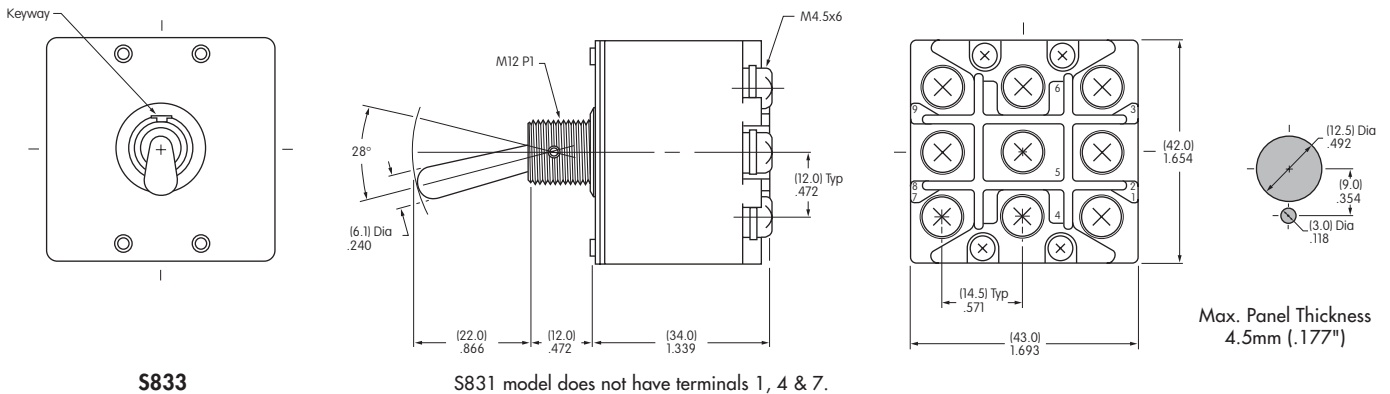
Model	Approvals	Pole & Throw	Toggle Position/Connected Terminals			Electrical Capacity							
			Down Keyway	Center	Up	Resistive				Inductive			
						AC 125V	AC 250V	DC 30V	DC 125V	AC 125V PF 0.6	AC 250V PF 0.6		
S831		3PST	ON	2-3 5-6 8-9	NONE	OFF	—	30A	30A	30A	1A	30A	15A
S832		3PDT	ON	2-3 5-6 8-9	NONE	ON	2-1 5-4 8-7	30A	30A	30A	1A	30A	15A
S833		3PDT	ON	2-3 5-6 8-9	OFF	ON	2-1 5-4 8-7	30A	30A	30A	1A	30A	15A

Throw & Schematics:



Note: Terminal numbers are on the switch.










- Standard Hardware: AT503 Face Hex Nut, AT506 Locking Ring, AT508 Lockwasher, AT527M Backup Hex Nut.

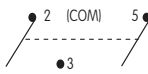
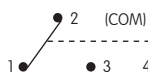








S833

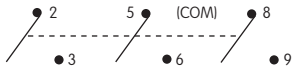
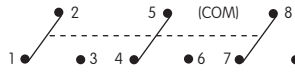
S831 model does not have terminals 1, 4 & 7.

DOUBLE & THREE POLE WITH SCREW LUG & FLATTED LEVER

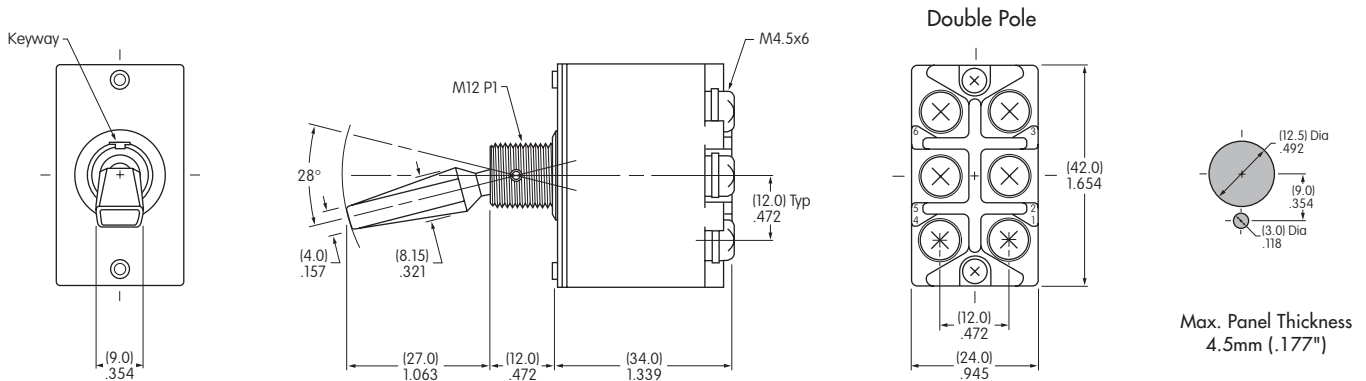
Model	Pole & Throw	Approvals	Toggle Position/Connected Terminals						Electrical Capacity							
			Down 		Center 		Up 		Resistive				Inductive L/R = 3ms			
			DC 30V	DC 48V	DC 125V	DC 250V	DC 24V	DC 48V	DC 125V	DC 250V						
S821D	DPST	 	ON	2-3 5-6	NONE	OFF	—	30A	30A	15A	7.5A	15A	10A	6A	3A	
S822D	DPDT	 	ON	2-3 5-6	NONE	ON	2-1 5-4	30A	30A	15A	7.5A	15A	10A	6A	3A	
S823D	DPDT	 	ON	2-3 5-6	OFF	ON	2-1 5-4	30A	30A	15A	7.5A	15A	10A	6A	3A	

Throw & Schematics	DPST	DPDT	Note
			Terminal numbers are on the switch.

S831D	3PST	 	ON	2-3 5-6 8-9	NONE	OFF	—	30A	30A	15A	7.5A	15A	10A	6A	3A
S832D	3PDT	 	ON	2-3 5-6 8-9	NONE	ON	2-1 5-4 8-7	30A	30A	15A	7.5A	15A	10A	6A	3A
S833D	3PDT	 	ON	2-3 5-6 8-9	OFF	ON	2-1 5-4 8-7	30A	30A	15A	7.5A	15A	10A	6A	3A

Throw & Schematics	3PST	3PDT	Note
			Terminal numbers are on the switch.

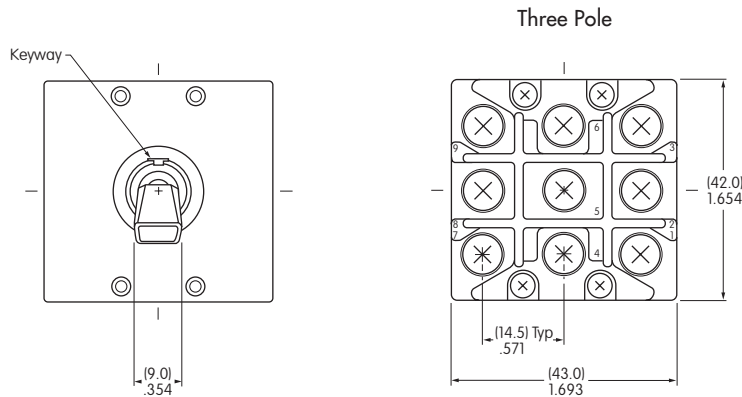
• Standard Hardware: AT503 Face Hex Nut, AT506 Locking Ring, AT508 Lockwasher, AT527M Backup Hex Nut.



S821D model does not have terminals 1 & 4.



S832D



S831D model does not have terminals 1, 4, & 7.

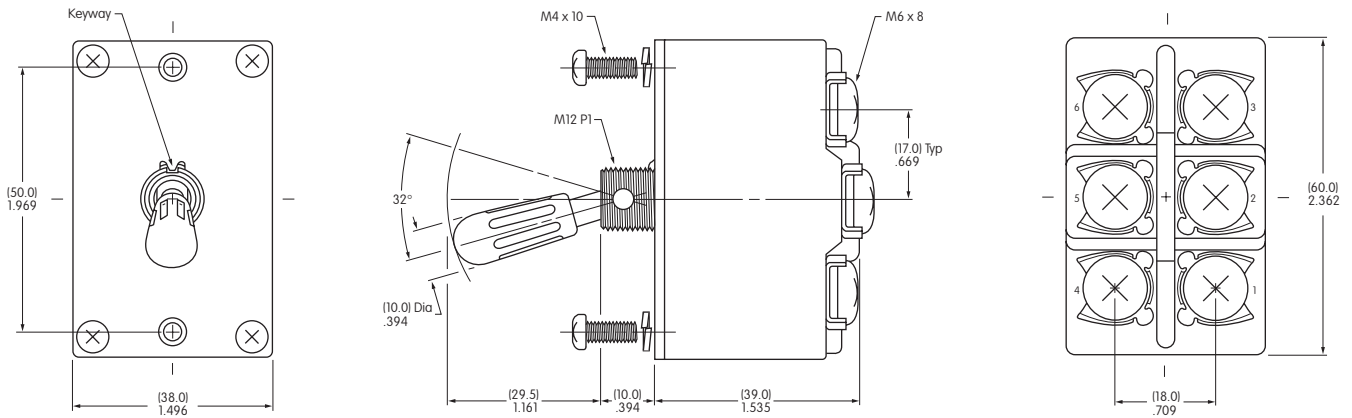
Positive (+) must be connected to end terminals & negative to common terminals.

DOUBLE POLE WITH SCREW LUG

Model	Approvals	Pole & Throw	Toggle Position/Connected Terminals			Electrical Capacity					
			Down Keyway	Center	Up	Resistive			Inductive		
						AC 125V	AC 250V	DC 30V	AC 125V PF 0.6		
S732	— —	DPDT	ON	2-3 5-6	NONE	ON	2-1 5-4	50A	30A	50A	25A

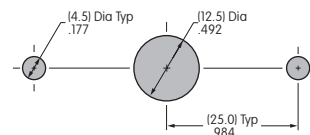
Throw & Schematics:	DPDT		Note: Terminal numbers are on the switch.

• Standard Bushing Hardware: AT503 Hex Face Nut, AT506 Locking Ring, AT508 Lockwasher, AT527M Backup Hex Nut.



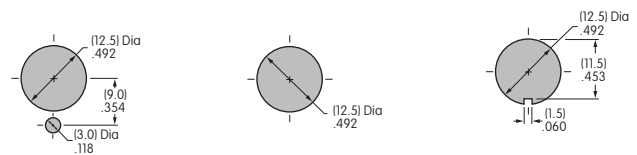
The cap of phenolic resin is black.

Panel Mount with Mounting Screws



Maximum Panel Thickness
4.0mm (.158")

Panel Mount with Bushing Hardware



Maximum Panel Thickness
2.0mm (.079")

Maximum Panel Thickness
3.0mm (.118")

Maximum Panel Thickness
3.0mm (.118")



S732