

Bourdon tube pressure gauges, liquid filled,

Modelcode type: 213.53.0XX

Item number: 82523751

Description

Design according	EN 837-1
Accuracy class	class 1.6
Scale range	-1...+1.5 bar

Constructional design

Process connection	G 1/4 B
Connector location	back mount
Pressure element	Copper alloy
Movement	Copper alloy
Case	Crimp ring case (version 53)
Nominal size	063 mm
Case filling fluid	glycerine
Pointer	plastic, black
Window	plastic, clear
Dial	plastic white without stop pin

Options

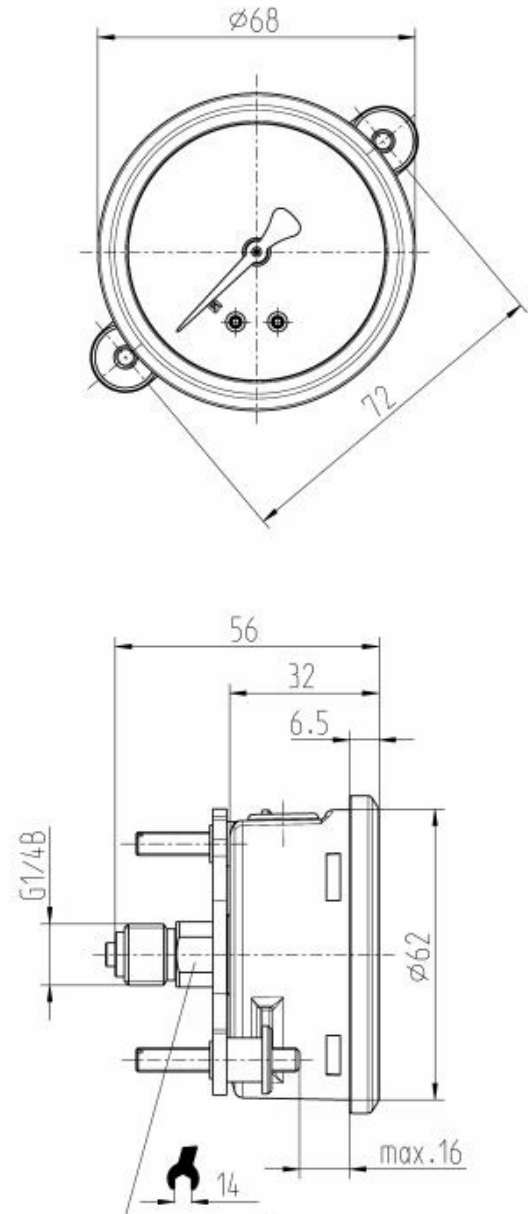
Mounting flange/bracket	narrow panel ring, SS, rolled on, with mounting bracket
-------------------------	---

Operating conditions

Pressure limitation	Steady: 3/4 x full scale value Fluctuating: 2/3 x full scale value Short time: Full scale value
Permissible ambient temperature	-20 ... +60 °C
Permissible medium temperature	+60°C maximum
Temperature effect when the temperature deviates from the reference temperature (+20°C)	Max. +/-0.4 %/10 K of the span
Ingress protection	IP 65

Dial description:

Pressure Gauge Standard	China
-------------------------	-------



Bourdon tube pressure gauges, liquid filled,

Modelcode type: 213.53.0XX

Item number: 82523751

color for 1.scale (outside)	black
dial background	White
Manufacturer logo	*WIKA*
norm-mark on dial	*EN 837-1*
safetymark on dial	*S*
accuracy class on dial	*Cl.1.6*

Test report 2.2 per EN 10204

Certificate type	Test certificate acc. to EN 10204 2.2
Certificate Language	English and German
Certificate for	pressure gauge
Tests and certificates	Accuracy certificate
Detailed Specification	Certification of class and accuracy

Labelcode

Label	WIKA standard
language of the label	German