

*Circuits from the Lab™ tested circuit designs address common design challenges and are engineered for quick and easy system integration. For more information and/or support, visit [www.analog.com/CN0158](http://www.analog.com/CN0158).*

**Devices Connected/Referenced**

|                          |   |
|--------------------------|---|
| <a href="#">ADuM4160</a> | Full/Low Speed USB Isolator             |
| <a href="#">ADP3339</a>  | High Accuracy, 1.5 A LDO, 5 V Option    |
| <a href="#">ADP3330</a>  | High Accuracy, 200 mA LDO, 3.3 V Option |

## Universal Serial Bus (USB) Hub Isolator Circuit

### EVALUATION AND DESIGN SUPPORT

#### Circuit Evaluation Boards

**CN-0158 Circuit Evaluation Board**

#### Design and Integration Files

[Schematics](#), [Layout Files](#), [Bill of Materials](#)

### CIRCUIT FUNCTION AND BENEFITS

The universal serial bus (USB) is rapidly becoming the standard interface for most PC peripherals. It is displacing RS-232 and the parallel printer port because of superior speed, flexibility, and support of device hot swap. There has been a strong desire on the part of industrial and medical equipment manufacturers to use the bus as well, but adoption has been slow because there has not been a good way to provide the isolation required for connections to machines that control dangerous voltages or low leakage defibrillation proof connections in medical applications.

The [ADuM4160](#) is designed primarily as an isolation element for a peripheral USB device. However, there are occasions when it is useful to isolate a host device. Several issues must be addressed to use the ADuM4160 for this application. Whereas the buffers on the upstream and downstream sides of the ADuM4160 are the same and capable of driving a USB cable, the downstream buffers must be capable of adjusting speed to a full or low speed peripheral that is connected to it.

Unlike the case of building a dedicated peripheral interface where the speed is known and not changed, host applications must adapt. The ADuM4160 is intended to be hardwired to a single speed via pins; therefore, it works when the peripheral plugged into its downstream side is the correct speed, but it fails when the wrong speed peripheral is attached. The best way to address this is to combine the ADuM4160 with a hub controller.

The upstream side of a hub controller can be thought of as a standard fixed speed peripheral port that can be easily isolated with the ADuM4160, whereas the speed of the downstream

ports is handled by the hub controller. The hub controller converts peripherals of different speeds to match the upstream port speed. The circuit shown in Figure 1 shows how a two-port hub chip can be used to isolate two downstream host ports in a design that can be made fully compliant with the USB specification.

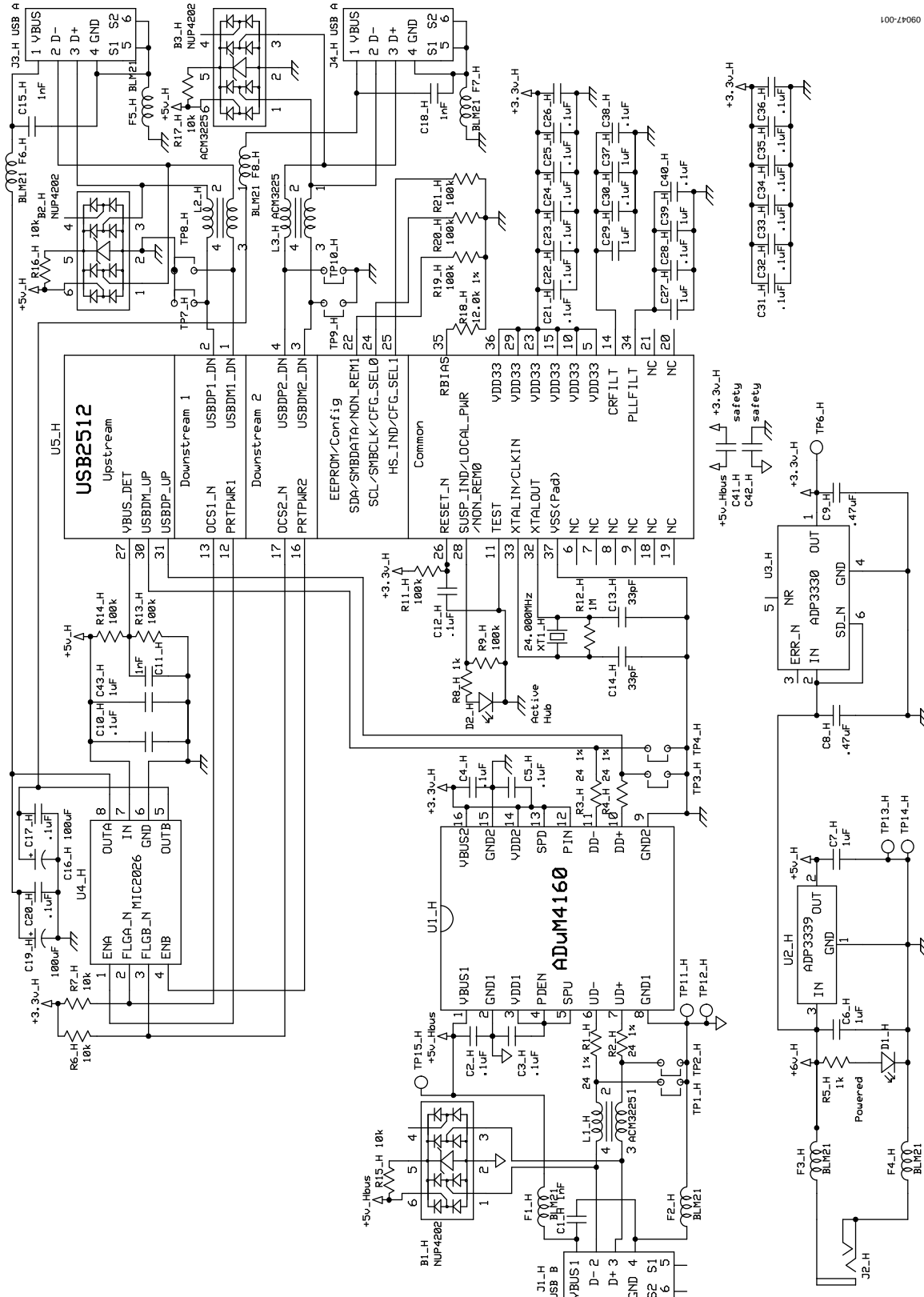
The ADuM4160 provides an inexpensive and easy to implement isolation buffer for medical and industrial peripherals. The challenge that must be met is to use this to create a fully compliant host port by pairing the ADuM4160 with a hub chip. As with isolating any peripheral device, the services that the ADuM4160 and hub provide are as follows:

1. Directly isolates, in the upstream, the USB D+ and D– lines of a hub chip, allowing the hub to manage the downstream host port activity.
2. Implements an automatic scheme for data flow of control that does not require external control lines.
3. Provides medical grade isolation.
4. Allows creation of one or more host ports that meet the USB-IF certification standards.
5. Supports full speed signaling rates.
6. Supports flexible power configurations.

The goal of the application circuit is to isolate a hub as if it were a full speed peripheral device. The hub or host function requires that 2.5 W of power be available to each downstream port. Power to run the downstream side of the isolator and power the hub and ports is provided as part of the solution. The application circuit is typical of many medical and industrial applications.

#### Rev. A

Circuits from the Lab™ circuits from Analog Devices have been designed and built by Analog Devices engineers. Standard engineering practices have been employed in the design and construction of each circuit, and their function and performance have been tested and verified in a lab environment at room temperature. However, you are solely responsible for testing the circuit and determining its suitability and applicability for your use and application. Accordingly, in no event shall Analog Devices be liable for direct, indirect, special, incidental, consequential or punitive damages due to any cause whatsoever connected to the use of any Circuits from the Lab circuits. (Continued on last page)



1007401-001

Figure 1. Isolated USB Hub Circuit

## CIRCUIT DESCRIPTION

Power for the upstream USB connector is derived from the 5 V VBUS voltage available on the USB cable. The hub chip must provide all of the signals and pull-up or pull-down resistors that would be required if the ADuM4160 were not present. The hub chip chosen is an SMSC USB2512 two-port USB hub controller. This part was chosen because of its low cost and small footprint. In addition, a 4-channel version is available in the same footprint. The design is full featured, supporting channel by channel current limiting through a MIC2026 power distribution switch and sufficient offline regulated power to provide 2.5 W to each downstream channel. Power on the downstream side is provided by a wall wart and an ADP3339 LDO regulator (5 V option). This component provides very low dropout voltage, reducing the regulation requirements on the wall wart.

Its small size and 1.5 A current capability are ideal for this general-purpose circuit where the peripherals downstream may require full cable power to operate.

The ADuM4160 has several options for power speed and protection that must be determined. Peripheral devices run at one of three speeds, low (1.5 Mbps), full (12 Mbps), and high (480 Mbps). The ADuM4160 does not support high speed operation and blocks handshaking signals that are used to negotiate that speed. The hub chip chosen supports high speed operation, but this mode is not allowed by the normal operation of the ADuM4160. The ADuM4160 must be set to operate at full speed via the state of the SPU and SPD pins. In the current schematic, the SPU and SPD pins are tied to the regulated 3.3 V power supplies, VDD1 and VDD2, setting the part for full speed operation.

Power can be provided as 5 V through the VBUSx pins. The 3.3 V signaling voltage is created by an internal 3.3 V regulator at the VDDx pin. Another option is to supply 3.3 V directly to both VBUSx and VDDx. The part senses this configuration and disables the internal regulator using the 3.3 V supply directly. For illustrative purposes, the downstream side of the ADuM4160 is configured to accept a 3.3 V external supply, bypassing the internal regulator. The VBUS2 and VDD2 pins are shorted together and supplied with an external 3.3 V generated by an ADP3330 LDO regulator.

The ADuM4160 has an option to delay application of the upstream pull-up under control of the peripheral. This function is controlled by the PIN input. In this application, the PIN input is shorted high so that the upstream pull-up is applied as soon as power is applied to the hub chip. In some applications, it can be connected to a GPIO pin of a controller, a fixed delay circuit can be applied, or it can be connected as in this circuit. It is the designer's choice how to use this functionality.

EOS/ESD protection devices are represented in this circuit. These were chosen from manufacturers that have a wide variety of components available; the particular components were chosen to allow them to be replaced by 0  $\Omega$  shorts, removing them from the circuit. The choice of protection should be reviewed by the designer and can range anywhere from not needing external protection to needing a full complement of transient suppressors and filter elements. The circuit elements included in this application are typical of what can be used.

When the circuit is functioning, packets are detected and data is shuttled from one side of the isolation barrier to the other. Data shown in Figure 2 and Figure 3 demonstrates a typical full speed transaction both as time domain data and as an eye diagram. Features to note in the real-time data are the passive idle state at the start of the packet, which transitions to a driven J and then the end of packet at the end of the transaction showing as a single-ended zero state followed by an idle J. It is the automatic flow of control and the handling of these special logic states that make the ADuM4160 chip possible and unique in the marketplace.

This hub design is fully isolated from the upstream data connection for transients up to 5 kV. The downstream ports are powered through an offline power source to support full power applications. Low, full, and high speed peripherals can be connected to the downstream ports in any combination; the hub controller properly negotiates speed based on the USB standard. The design also includes current switching and limiting as well as positions for other output protection devices that can be installed as the designer chooses.

The following are applicable test references:

- Upstream full speed signal quality test reference—USB 2.0 Specification, Section 7.1.11., Section 7.1.2.1.
- Upstream full speed rise time test reference—USB 2.0 Specification, Section 7.1.11., Section 7.1.2.2.
- Upstream full speed fall time test reference—USB 2.0 Specification, Section 7.1.11., Section 7.1.2.2.



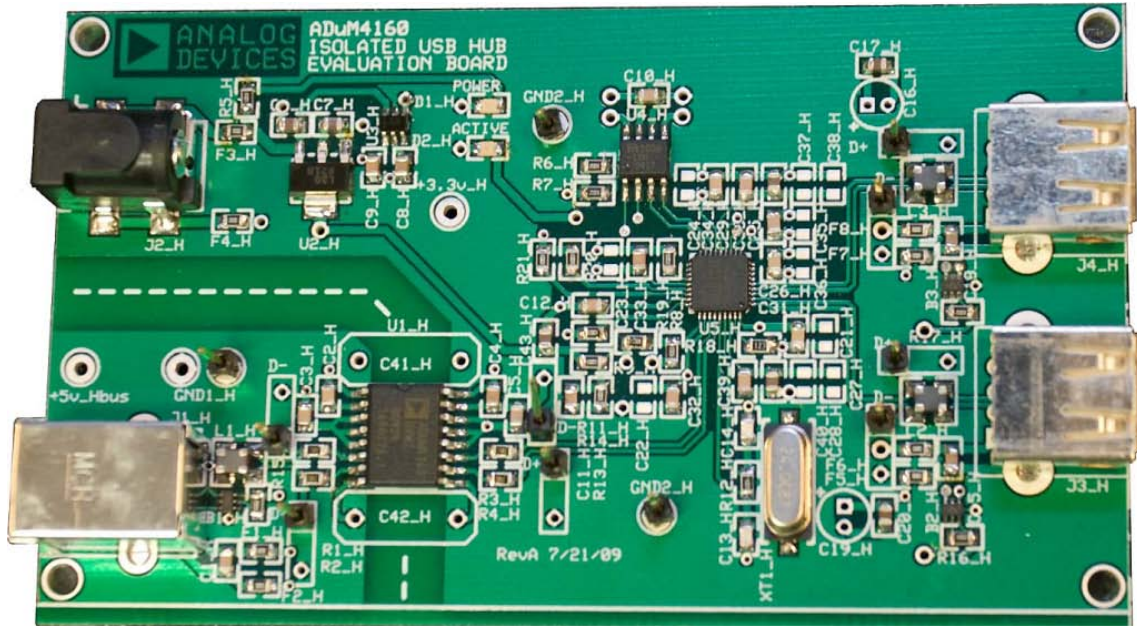


Figure 4. ADuM4160 Isolated USB Hub Evaluation Board

## LEARN MORE

CN0158 Design Support Package:

<http://www.analog.com/CN0158-DesignSupport>

ADIsimPower™ Design Tool, Analog Devices.

Cantrell, Mark. Application Note AN-0971, *Recommendations for Control of Radiated Emissions with isoPower Devices*. Analog Devices.

Chen, Baoxing, John Wynne, and Ronn Klinger. *High Speed Digital Isolators Using Microscale On-Chip Transformers*, Analog Devices, 2003.

Chen, Baoxing. *iCoupler® Products with isoPower™ Technology: Signal and Power Transfer Across Isolation Barrier Using Microtransformers*, Analog Devices, 2006

Chen, Baoxing. "Microtransformer Isolation Benefits Digital Control." *Power Electronics Technology*. October 2008.

Krakauer, David. "Digital Isolation Offers Compact, Low-Cost Solutions to Challenging Design Problems." *Analog Dialogue*. Volume 40, December 2006.

MT-031 Tutorial, *Grounding Data Converters and Solving the Mystery of "AGND" and "DGND,"* Analog Devices.

MT-101 Tutorial, *Decoupling Techniques*, Analog Devices.

USB 2.0 Specifications, USB Implementers Forum, Inc.

Wayne, Scott. "iCoupler® Digital Isolators Protect RS-232, RS-485, and CAN Buses in Industrial, Instrumentation, and Computer Applications." *Analog Dialogue*. Volume 39, October 2005.

## Data Sheets and Evaluation Boards

[ADuM4160 Data Sheet](#)

[ADP3339 Data Sheet](#)

[ADP3330 Data Sheet](#)

[ADuM4160 Evaluation Board](#)

## REVISION HISTORY

11/10—Rev. 0 to Rev. A

Added Evaluation and Design Support Section..... 1

Added Circuit Evaluation and Test Section..... 3

Changes to Learn More Section..... 4

7/10—Revision 0: Initial Version

(Continued from first page) Circuits from the Lab circuits are intended only for use with Analog Devices products and are the intellectual property of Analog Devices or its licensors. While you may use the Circuits from the Lab circuits in the design of your product, no other license is granted by implication or otherwise under any patents or other intellectual property by application or use of the Circuits from the Lab circuits. Information furnished by Analog Devices is believed to be accurate and reliable. However, "Circuits from the Lab" are supplied "as is" and without warranties of any kind, express, implied, or statutory including, but not limited to, any implied warranty of merchantability, noninfringement or fitness for a particular purpose and no responsibility is assumed by Analog Devices for their use, nor for any infringements of patents or other rights of third parties that may result from their use. Analog Devices reserves the right to change any Circuits from the Lab circuits at any time without notice but is under no obligation to do so.

©2010 Analog Devices, Inc. All rights reserved. Trademarks and registered trademarks are the property of their respective owners.  
CN09047-0-11/10(A)



[www.analog.com](http://www.analog.com)