

VEROWIRE and Prototyping Board Accessories

Verowire

The Verowire wiring system is ideal for prototypes, breadboards and limited production runs. Finished results are of a high standard with a neat orderly appearance achieved in significantly less time than more conventional methods.

Features

- Low profile
- High speed applications
- Suitable for high-density wiring
- No headers required
- Low cost

Wire specification

Diameter of wire:	0,20 mm (34 AWG)
Insulation:	Self-fluxing polyurethane*
Insulation Thickness:	0,005 mm
Proof Voltage:	600V d.c.
Current Rating:	0,100 A
Resistance @ 20°C:	0,857Ω/m
Length of wire/spool:	40 m
Colours:	Pink or Gold

Verowire		Ordering information
Description	Unit of Sale	Order code
Wiring pen	1	79-1732
Spools wire; 2 gold, 2 pink	4	79-19038
Spool wire, Pink	4	79-1737
Spool wire, Gold	4	79-1739
Wiring combs	100	79-1735
Half pin	1000	18-0223

Card support – ejector mechanism

Supplied as an accessory for any extender board, this device attaches to the end and guides/supports the circuit board under test. Supplied as a kit comprising 2 support – ejector assemblies, 4 M3 x 8 long screws and 4 M3 nuts.

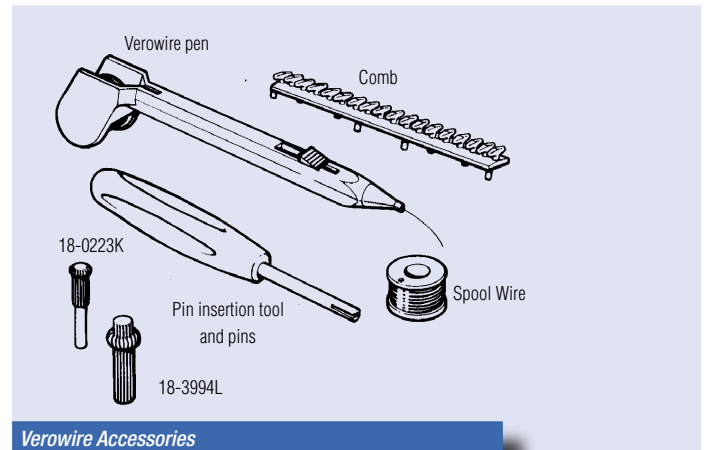
Card support – Ejector mechanism		Ordering information
Description		Order code
Card support – ejector		22-2427

Spot face cutter

Used to break copper tracks on a PCB.

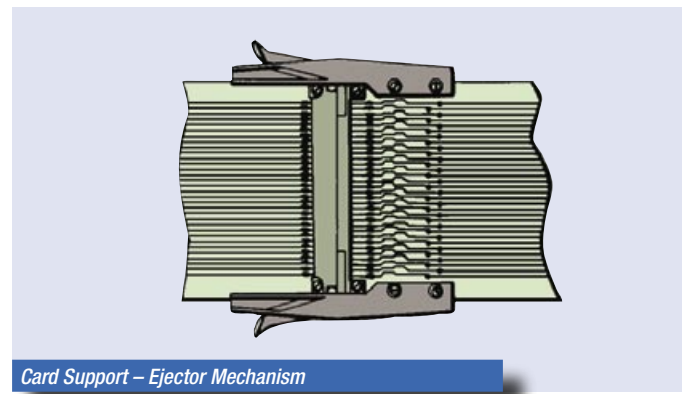
Can be used by hand or, with the handle removed, fitted into a bench drill

Spot Face Cutter		Ordering information
Description		Order code
Spot Face Cutter		22-0239

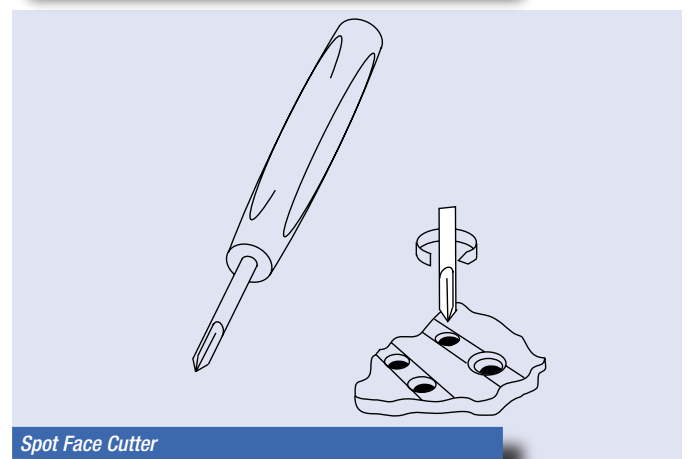


Verowire Accessories

WARNING!
When soldering through polyurethane enamelled wire a small quantity of TDI gas is produced. Use in a well ventilated room.



Card Support – Ejector Mechanism



Spot Face Cutter