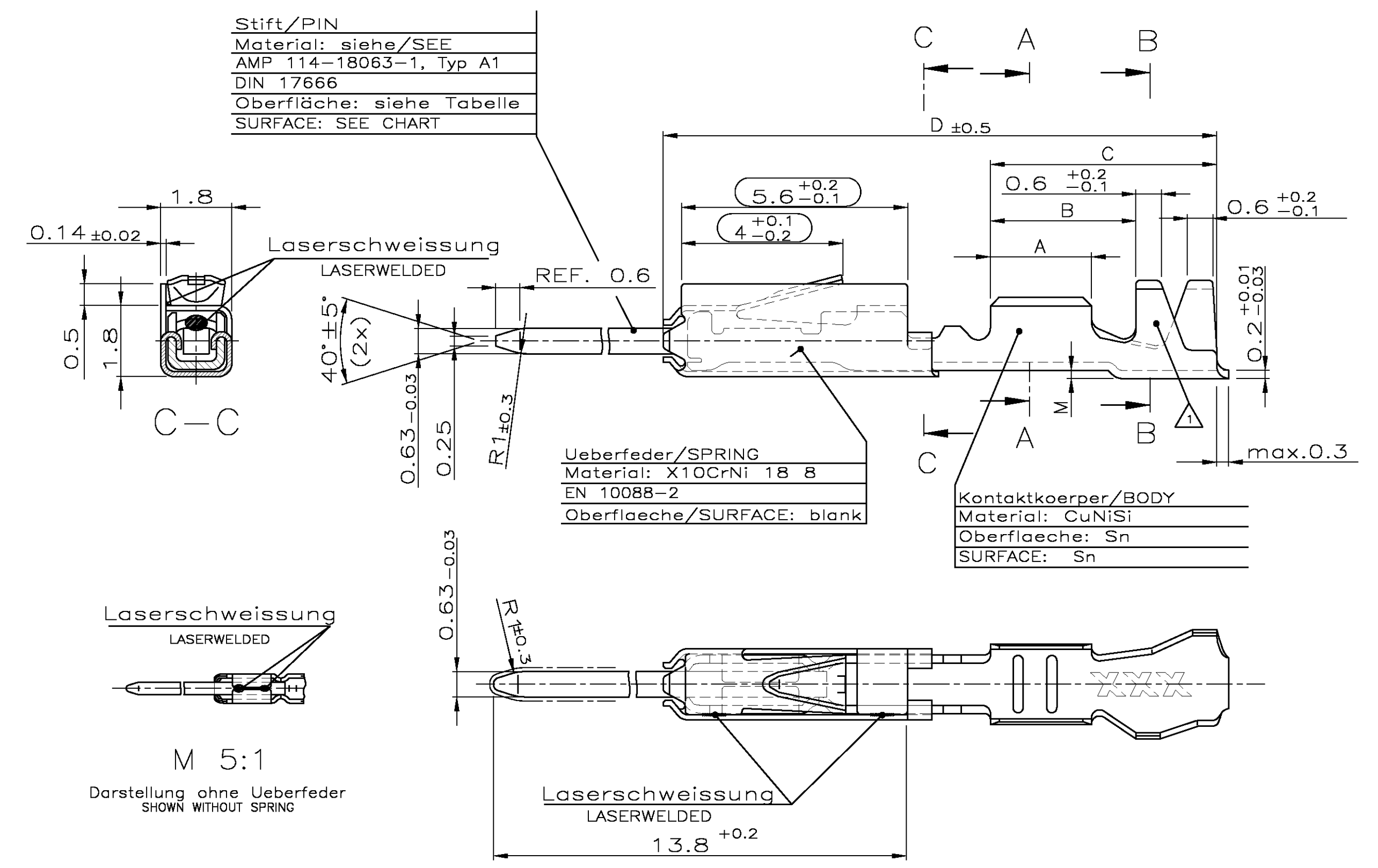


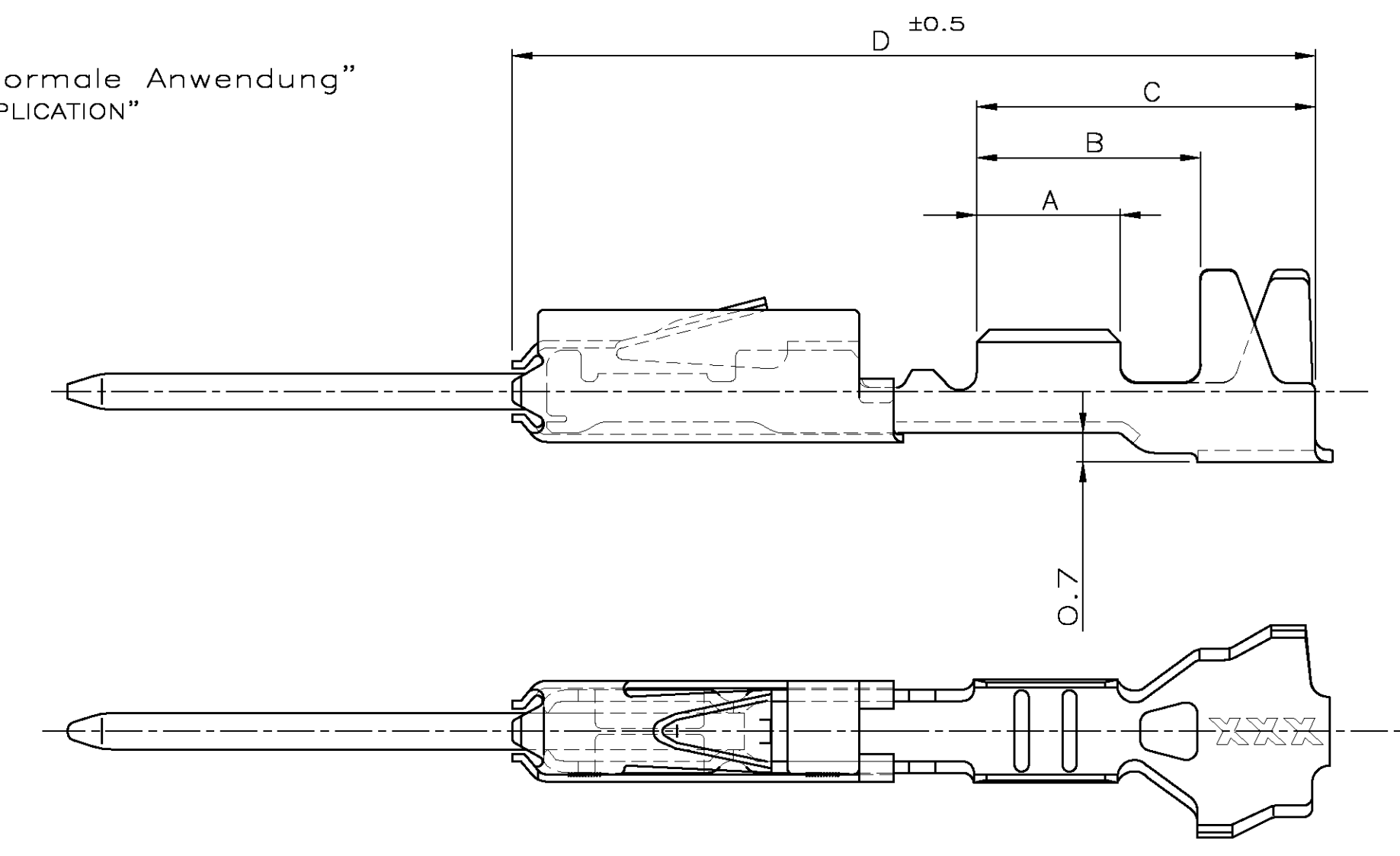
Normale Anwendung USUAL APPLICATION



M 5:1
 Darstellung ohne Ueberfeder
 SHOWN WITHOUT SPRING

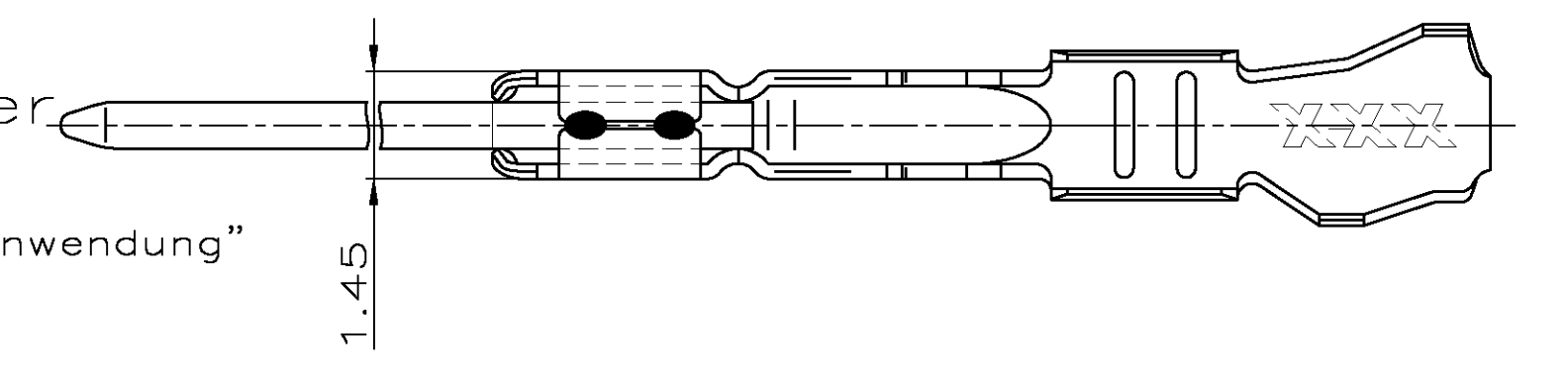
Einzel-Dichtungs-System SINGLE-WIRE-SEAL-SYSTEM

Fehlende Masse und Angaben siehe "Normale Anwendung"
 MISSING DIMENSIONS AND NOTES SEE "USUAL APPLICATION"



Ausfuehrung ohne Ueberfeder WITHOUT SPRING

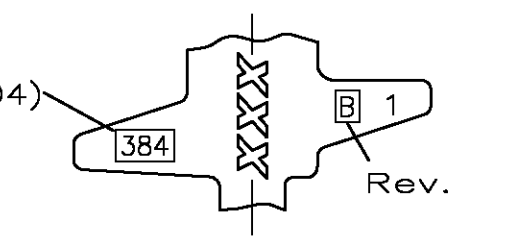
Fehlende Masse und Angaben siehe "Normale Anwendung"
 MISSING DIMENSIONS AND NOTES SEE "USUAL APPLICATION"



REV	DATE	BY	CHK	APPD
C7	09.02.06	KF	HK	
C8	18.08.06	KF	HK	
C9	26.JAN.2005	Mo	Komp.	

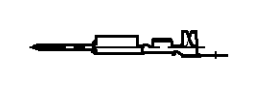
Bemerkungen NOTES

- Datumscode (Woche / Jahr ,z.B. KW38 / Jahr 2004) und Tyco-Revision (z.B. Rev.B)
 DATE-CODE (WEEK / YEAR (E.G.WEEK NUMBER 38 / YEAR 2004) AND TYCO REVISION (E.G. REV. B))
- Passend zu Buchsenkontakt siehe Zeichnung: AMP:929454
 SUITABLE FOR SOCKET CONTACT SEE DRAWING:
- Recyclingklasse nach BMW N113 99.0 R3
 RECYCLINGCLASS TO
- Einzelheiten der Ausfuehrung bleiben dem Hersteller ueberlassen
 DETAILS OF DESIGN ARE LEFT TO MANUFACTURER
- Nur fuer FLR-Leitung nach DIN 72551, Teil 6
 FOR FLR-CONDUCTOR ACCORDING TO DIN 72551-6 ONLY
- Gereelte Ausfuehrung: AMP: 963379-7
 REELED VERSION:
- Gereelte Ausfuehrung: AMP: 963379-6
 REELED VERSION:
- Bei 0.5mm²-Leitung im Airbagpfad ist die Verwendung der Kontakte fuer Drahtgroessenbereich 0.5 ... 0.75mm² vorgeschrieben
 FOR 0.5mm²-WIRE IN AIRBAG-APPLICATIONS THE CONTACT FOR WIRE-SIZE 0.5 ... 0.75mm² IS PRESCRIBED



AMP BESTELL-NR. ORDER NO.	REV.	Einzelueberfuehrung LOOSE PRICE AMP-BESTELL-NR. AMP-ORDER-NO.	Ueberfeder vorhanden? SPRING AVAILABLE?	DGB WIRE-SIZE-RANGE [mm ²]	Oberflaeche SURFACE	Laenge LENGTH	Drahtcrimp WIRE CRIMP	Insul.Crimp INSUL.CRIMP	GEWICHT WEIGHT [g]	Verarbeitung APPLICATION	DGB [mm ²]	Isolations- W. INSUL.-DIA. [mm]	fuer Kammer- FOR CAVITY-DIA. 3.45mm	fuer Kammer- FOR CAVITY-DIA. 4mm		
965 908-2	D	965 909-2	Ja / YES	0.5 - 0.75	Au	A = 2.8 B = 4.2 C = 6.2 D = 14.3	E = 2 G = 2.1 D _{br} = 1	H = 3.5 K = 3.4 L = 1.5 D _{is} = 2.4	0.18	siehe Verarbeitungs- spezifikation	0.75	1.4-1.9	AMP: 967067-1	blau BLUE	AMP: 963143-1	weiss WHITE
965 908-1	C	965 909-1	Ja / YES	0.5 - 0.75	Sn	A = 2.5 B = 3.9 C = 5.9 D = 14	E = 1.8 G = 1.8 D _{br} = 0.8	H = 3.5 K = 3.4 L = 1.5 D _{is} = 2.4	0.12	SEE APPLICATIONS SPEC.	0.5	0.9-1.4	AMP: 967067-2	gruen GREEN	AMP: 963142-1	schwarz BLACK
1-962 886-1	N	-	Nein / NO	0.25 - 0.5	Sn	A = 2.5 B = 3.7 C = 5.4 D = 13.7	E = 1.5 G = 1.5 D _{br} = 0.65	H = 3.5 K = 3.4 L = 1.5 D _{is} = 2.4	0.13	114-18025-0	0.35 0.2	0.9-1.4	AMP: 967067-2	gelb YELLOW	AMP: 963142-2	grau GREY
928 918-2	W	-	Nein / NO	0.25-0.5	Au	A = 2.5 B = 3.6 C = 5.6 D = 13.7	E = 1.8 G = 1.8 D _{br} = 0.8	H = 2.3 K = 2.3 L = 0.6 D _{is} = 1.4	0.11	siehe Spec. SEE APPL'SPEC.	-	-	-	-	-	-
928 918-1	V	-	Nein / NO	0.25-0.5	Sn	A = 2.5 B = 3.6 C = 5.6 D = 13.7	E = 1.8 G = 1.8 D _{br} = 0.8	H = 2.3 K = 2.3 L = 0.6 D _{is} = 1.4	0.11	114-18021-0	-	-	-	-	-	-
1-963 716-2	A	1-963730-2	Nein / NO	0.5 - 0.75	Au	A = 2.8 B = 3.8 C = 5.8 D = 13.7	E = 2 G = 2.1 D _{br} = 1	H = 2.7 K = 2.9 L = 0.7 D _{is} = 1.6	0.12	siehe Verarbeitungs- spezifikation	-	-	-	-	-	-
963 716-2	W	963730-2	Ja / YES	0.5 - 0.75	Au	A = 2.5 B = 3.5 C = 5.6 D = 13.7	E = 1.8 G = 1.8 D _{br} = 0.8	H = 2.3 K = 2.3 L = 0.6 D _{is} = 1.4	0.15	SEE APPLICATIONS SPEC.	-	-	-	-	-	-
963 716-1	V	963730-1	Ja / YES	0.5 - 0.75	Sn	A = 2.5 B = 3.5 C = 5.6 D = 13.7	E = 1.8 G = 1.8 D _{br} = 0.8	H = 2.3 K = 2.3 L = 0.6 D _{is} = 1.4	0.15	114-18021-0	-	-	-	-	-	-
1-928 918-2	W	2-963 725-1	Ja / YES	0.25 - 0.5	Au	A = 2.5 B = 3.7 C = 5.4 D = 13.7	E = 1.5 G = 1.5 D _{br} = 0.65	H = 2 K = 2 L = 1.1 D _{is} = 1.1	0.15	114-18021-0	-	-	-	-	-	-
1-928 918-1	V	1-963 725-1	Ja / YES	0.25 - 0.5	Sn	A = 2.5 B = 3.7 C = 5.4 D = 13.7	E = 1.5 G = 1.5 D _{br} = 0.65	H = 2 K = 2 L = 1.1 D _{is} = 1.1	0.15	114-18021-0	-	-	-	-	-	-
1355719-2	B	1355720-2	Ja / YES	0.14 - 0.22	Au	A = 2.5 B = 3.7 C = 5.4 D = 13.7	E = 1.5 G = 1.5 D _{br} = 0.65	H = 2 K = 2 L = 1.1 D _{is} = 1.1	0.15	114-18021-0	-	-	-	-	-	-
1355719-1	B	1355720-1	Ja / YES	0.14 - 0.22	Sn	A = 2.5 B = 3.7 C = 5.4 D = 13.7	E = 1.5 G = 1.5 D _{br} = 0.65	H = 2 K = 2 L = 1.1 D _{is} = 1.1	0.15	114-18021-0	-	-	-	-	-	-

M1:1



DIMENSIONEN: DIMENSIONS: mm		TOLERANZEN UNLESS OTHERWISE SPECIFIED: ALIGEMENTOLERANZEN		DATE: 06-JAN-99 DRAWING NO.: 108-18030 ZEICHNUNGS-NR.: 108-18030	
MATERIAL:		FINISH/OBERFLAECHENFARBE:		WEIGHT: 0.11 g GEWICHT: 0.11 g	
CUSTOMER DRAWING		/SONDERZEICHNUNG		10:1 1 von 1 REV C9	