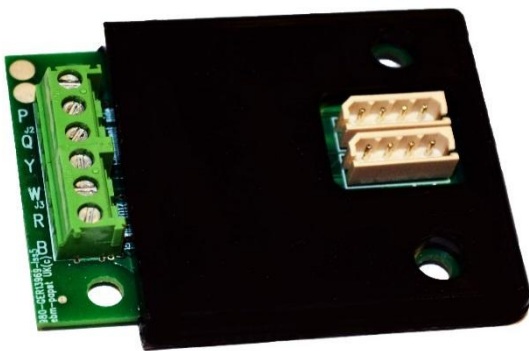


<b>Part No</b>	CECXX2040MC - CECXX3555MC		
<b>Description</b>	EC Fan Controller		
			
<b>Issue</b>	<b>Date</b>	<b>Author</b>	<b>Comments</b>
1	14/03/2018	F.Pagliarini	First Release

### Safety Notice

**⚠ CAUTION – Safety**

- The controller is only suitable for a low voltage (10V to 57V DC) supply
- Electrical installations should only be carried out by qualified personnel
- 

**⚠ CAUTION – Electro-Static Discharge**

Many modern electronic components are susceptible to damage from Electro-Static Discharge (Static Electricity). During commissioning and/or programming, avoid unnecessary contact with electronic components on PCB's. PCB's which are sensitive to static discharges should be stored and transported in anti-static packaging until they are required to be used.

**⚠ Warning – Do not operate in an explosive atmosphere**

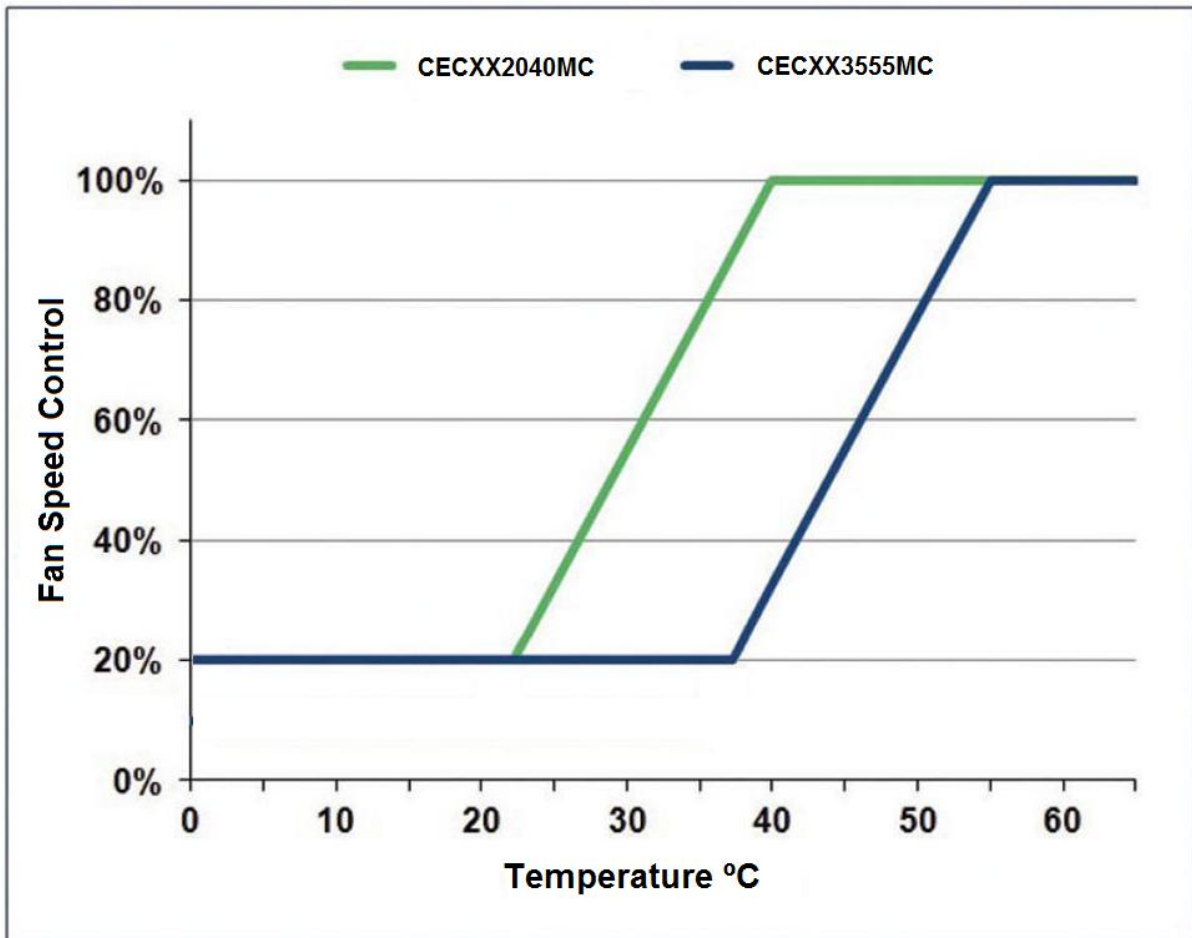
**⚠ Warning – Fan may start during connection and programming. Secure fan safely before applying power**

<b>Part Number</b>	<b>CECXX2040MC – CECXX3555MC</b>
<b>Supply Voltage</b>	10V to 57V DC
<b>Supply Current</b>	Up to 1 mA (@10VDC), Up to 4.5mA (@57VDC)
<b>Control Output</b>	0-10V DC at 2KHz
<b>Control Input</b>	NTC Thermistor Open Collector Tachometer
<b>Maximum Number of Fans</b>	16 x ebmpapst EC Fans (10V – 1mA supply)
<b>Operating Temperature</b>	-30°C to +60°C

### Accessories

<b>Thermistor lead</b>	<b>SN1060 (included with the controller)</b>
------------------------	--

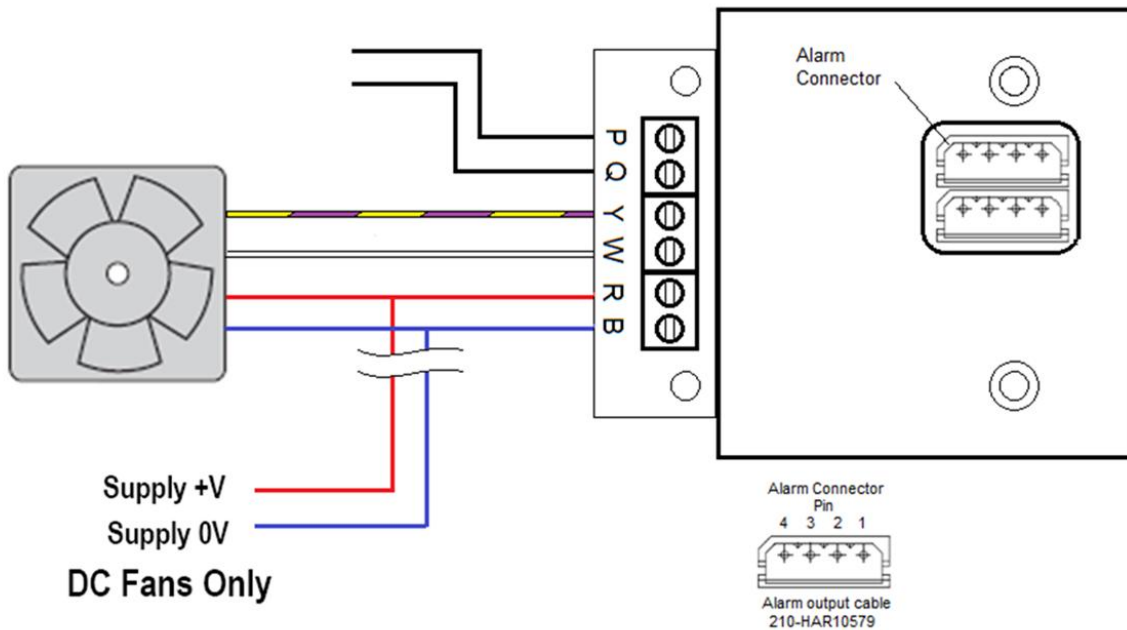
## Control Profile



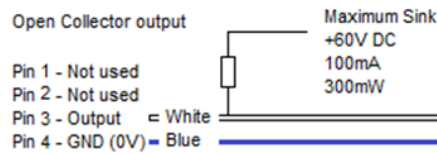
The alarm output will be released if there are no alarms active, it will be pulled low under the following conditions:

- Thermistor open circuit – a break in the thermistor cable will cause an alarm, and the output to the fan will default to run the fan at maximum speed
- Thermistor short circuit – A low resistance across the thermistor input terminals will cause an alarm, and the output to the fan will default to run the fan at maximum speed
- The thermistor readings exceed:
  - 40°C for CECXX2040MC
  - 55°C for CECXX3555MC
- The tach signal registers a speed of less than 200 RPM (for one pulse/revolution fans)

## Connections



### Alarm Output details



Terminal	
P	Thermistor +ve
Q	Thermistor GND (0V)
Y	0-10V Output at 2Khz
W	Open Collector Tacho Input
R	10V to 57V DC supply
B	GND(0V)

## Transport and Storage

- PCBs should be transported in anti-static build-up bag or static dissipative bags.
- Store in a dry environment
- Storage temperature: -30°C to +70°C.

## Maintenance and Servicing

There are no user serviceable parts.